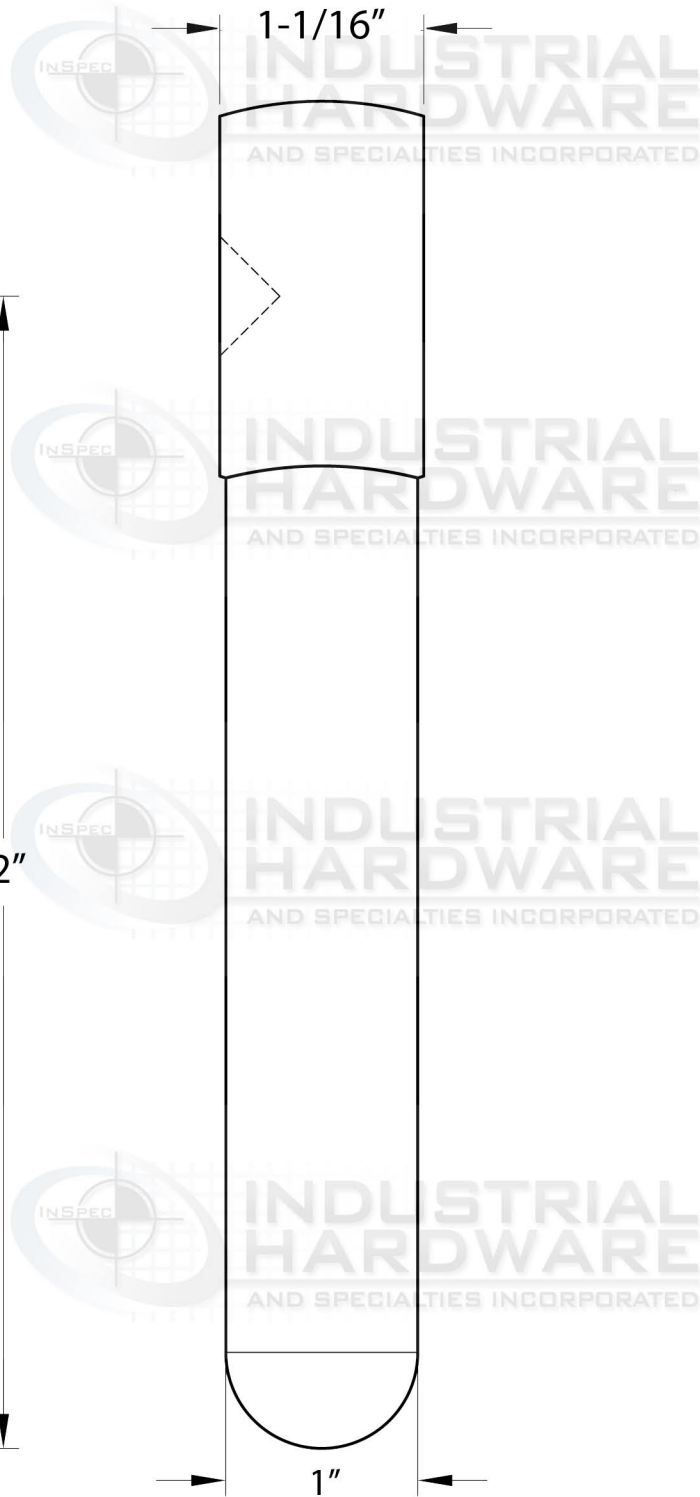
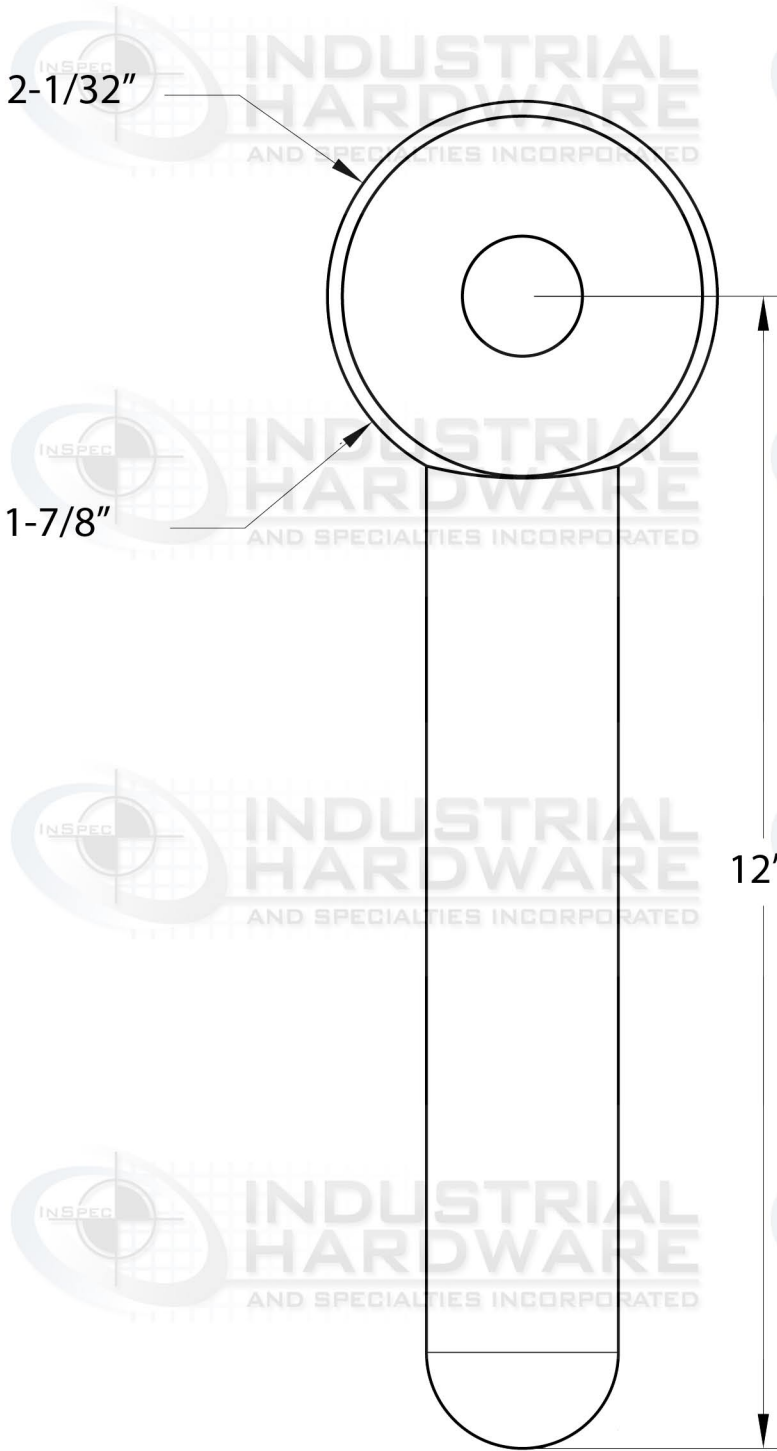


2

1



SCALE 1:1

SCALE 1:1

UNLESS OTHERWISE SPECIFIED, DIMENSIONS ARE IN INCHES

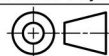
.XX = ±.0-
.XXX = ±.00-
.XXXX = ±.000-
ANGULAR = ±°
FRACTIONAL = ±

SURFACE FINISH

DO NOT SCALE DRAWING

BREAK ALL SHARP EDGES AND REMOVE BURRS

THIRD ANGLE PROJECTION



NAME	DATE
DRAWN	07/22/2020
CHECKED	
APPROVED	

MATERIAL: **Stainless Steel Type 316**
 FINISH: **Self-Colored**



INDUSTRIAL HARDWARE & SPECIALTIES, INC.
 17-B KENTUCKY AVE PATERSON NJ 07503
 973-684-4010 | INDUSTRIALHARDWARE.COM

TITLE	
SIZE A	DWG NO. 59A-10J-316SS
SCALE 1:4	WEIGHT 3.5
SHEET 1 of 1	REV.

2

1

B

B

A

A