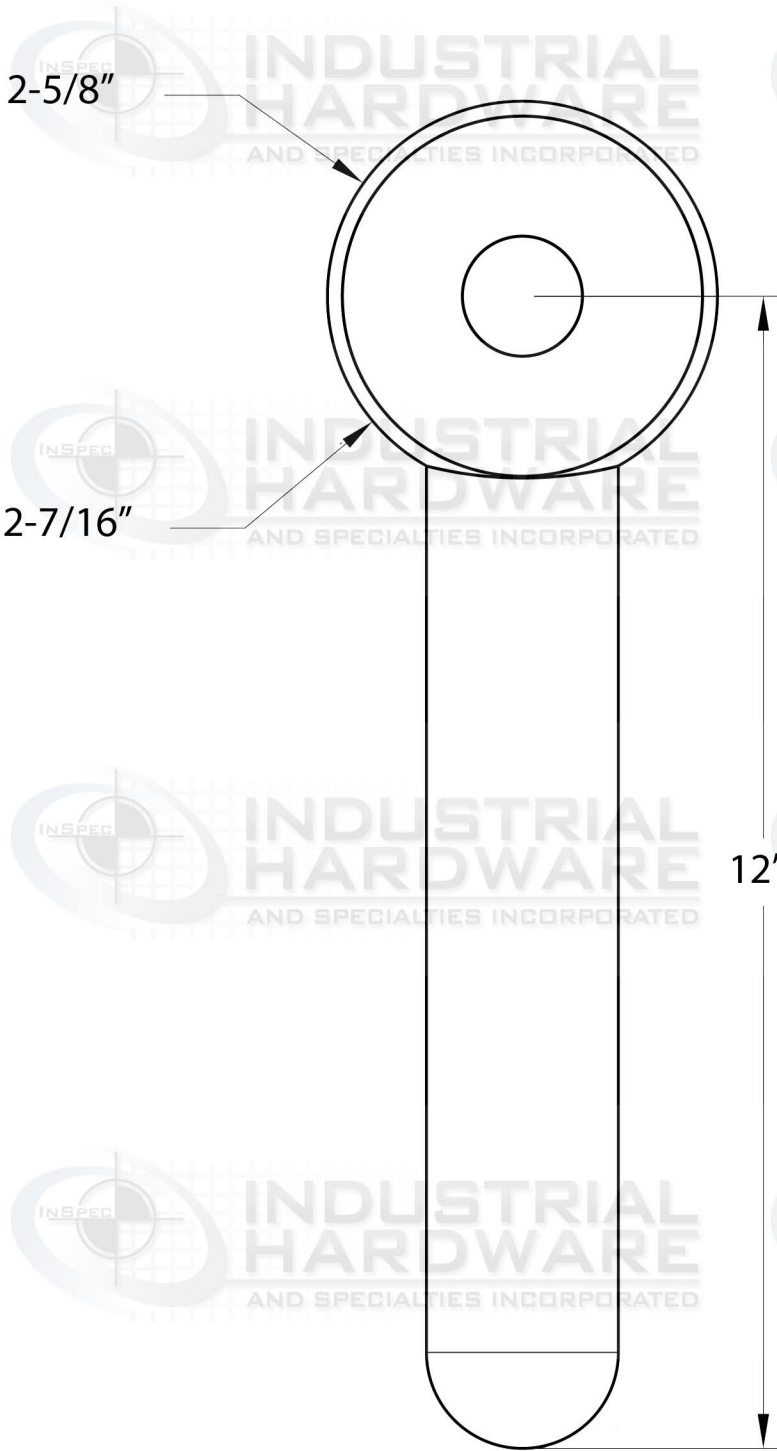


2

1



SCALE 1:1



SCALE 1:1

UNLESS OTHERWISE SPECIFIED, DIMENSIONS ARE IN INCHES

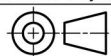
.XX = ±.0-
.XXX = ±.00-
.XXXX = ±.000-
ANGULAR = ±°
FRACTIONAL = ±

SURFACE FINISH

DO NOT SCALE DRAWING

BREAK ALL SHARP EDGES AND REMOVE BURRS

THIRD ANGLE PROJECTION



NAME	DATE
DRAWN SANE FRIEND	07/22/2020
CHECKED	
APPROVED	

MATERIAL	FINISH
Stainless Steel Type 316	Self-Colored



INDUSTRIAL HARDWARE & SPECIALTIES, INC.
17-B KENTUCKY AVE PATERSON NJ 07503
973-684-4010 | INDUSTRIALHARDWARE.COM

TITLE	
SIZE A	DWG NO. 59A-12J-316SS
SCALE 1:4	WEIGHT 5.65
SHEET 1 of 1	REV.

2

1

B

B

A

A