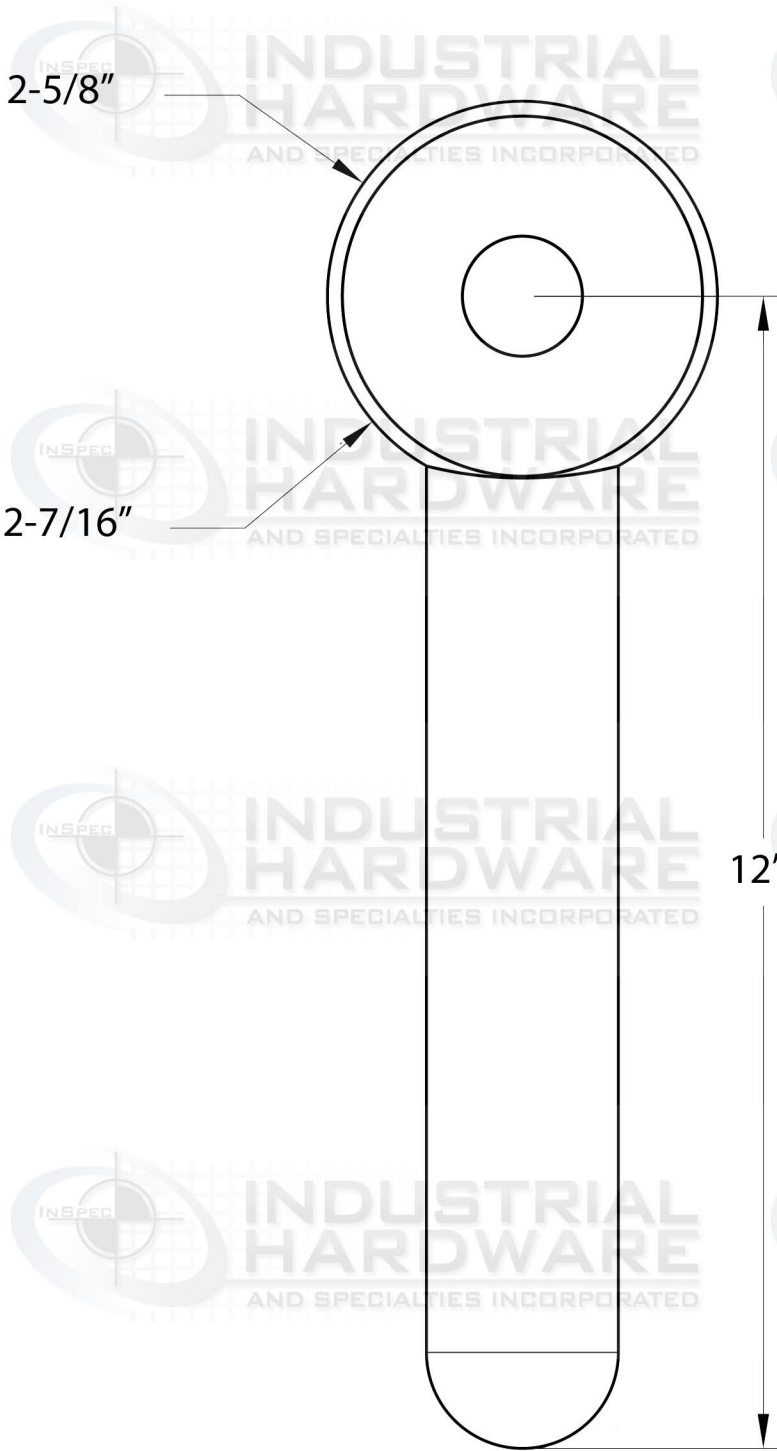


2

1



SCALE 1:1



SCALE 1:1

UNLESS OTHERWISE SPECIFIED, DIMENSIONS ARE IN INCHES

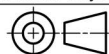
.XX = ±.0-
.XXX = ±.00-
.XXXX = ±.000-
ANGULAR = ±°
FRACTIONAL = ±

SURFACE FINISH

DO NOT SCALE DRAWING

BREAK ALL SHARP EDGES AND REMOVE BURRS

THIRD ANGLE PROJECTION



| | |
|----------|------------------------|
| NAME | DATE |
| DRAWN | SANE FRIEND 07/22/2020 |
| CHECKED | |
| APPROVED | |

| | |
|--------------------------|--------------|
| MATERIAL | FINISH |
| Stainless Steel Type 304 | Self-Colored |



INDUSTRIAL HARDWARE & SPECIALTIES, INC.
17-B KENTUCKY AVE PATERSON NJ 07503
973-684-4010 | INDUSTRIALHARDWARE.COM

| | | | |
|-------|------------|--------|------|
| TITLE | | | |
| SIZE | DWG NO. | | |
| A | 59A-12J-SS | | |
| SCALE | WEIGHT | SHEET | REV. |
| 1:4 | 5.65 | 1 of 1 | |

2

1

