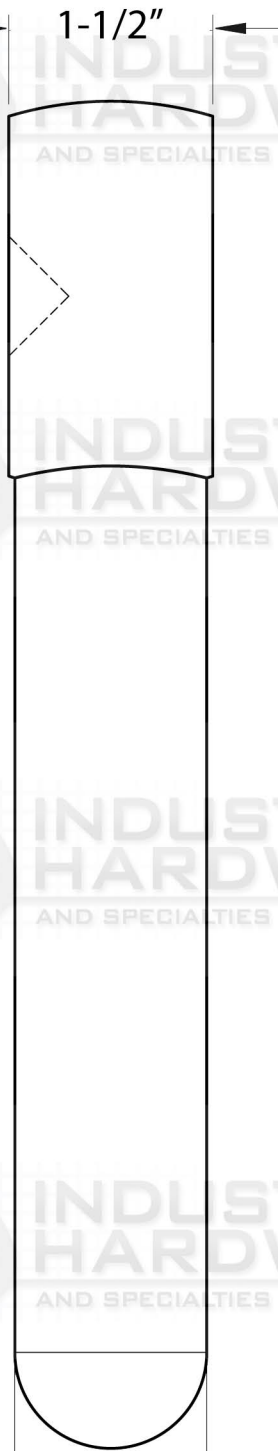
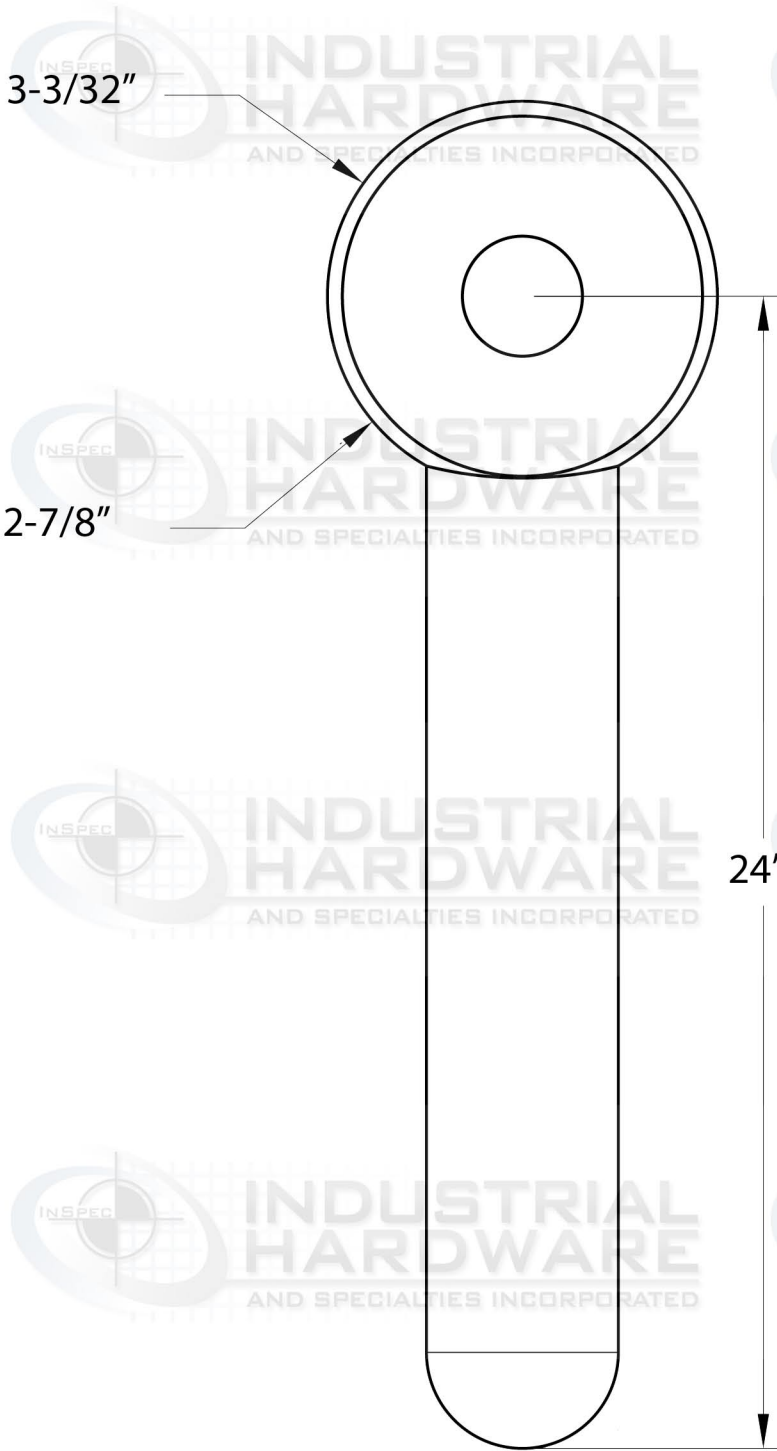


2

1



24"

1-1/2"

1-1/2"

SCALE 1:1

SCALE 1:1

UNLESS OTHERWISE SPECIFIED,
DIMENSIONS ARE IN INCHES

.XX = ±.0-
.XXX = ±.00-
.XXXX = ±.000-

ANGULAR = ±°
FRACTIONAL = ±

SURFACE FINISH

DO NOT SCALE DRAWING

BREAK ALL SHARP EDGES AND
REMOVE BURRS

THIRD ANGLE PROJECTION

NAME	DATE
DRAWN	SANE FRIEND 07/22/2020
CHECKED	
APPROVED	
MATERIAL	FINISH
Carbon Steel C1030/1035	Self-Colored

INDUSTRIAL HARDWARE & SPECIALTIES, INC. 17-B KENTUCKY AVE PATERSON NJ 07503 973-684-4010 INDUSTRIALHARDWARE.COM	
TITLE	
SIZE	DWG NO.
A	59A-14J24
SCALE	WEIGHT
1:4	14.31
SHEET	REV.
1 of 1	

2

1