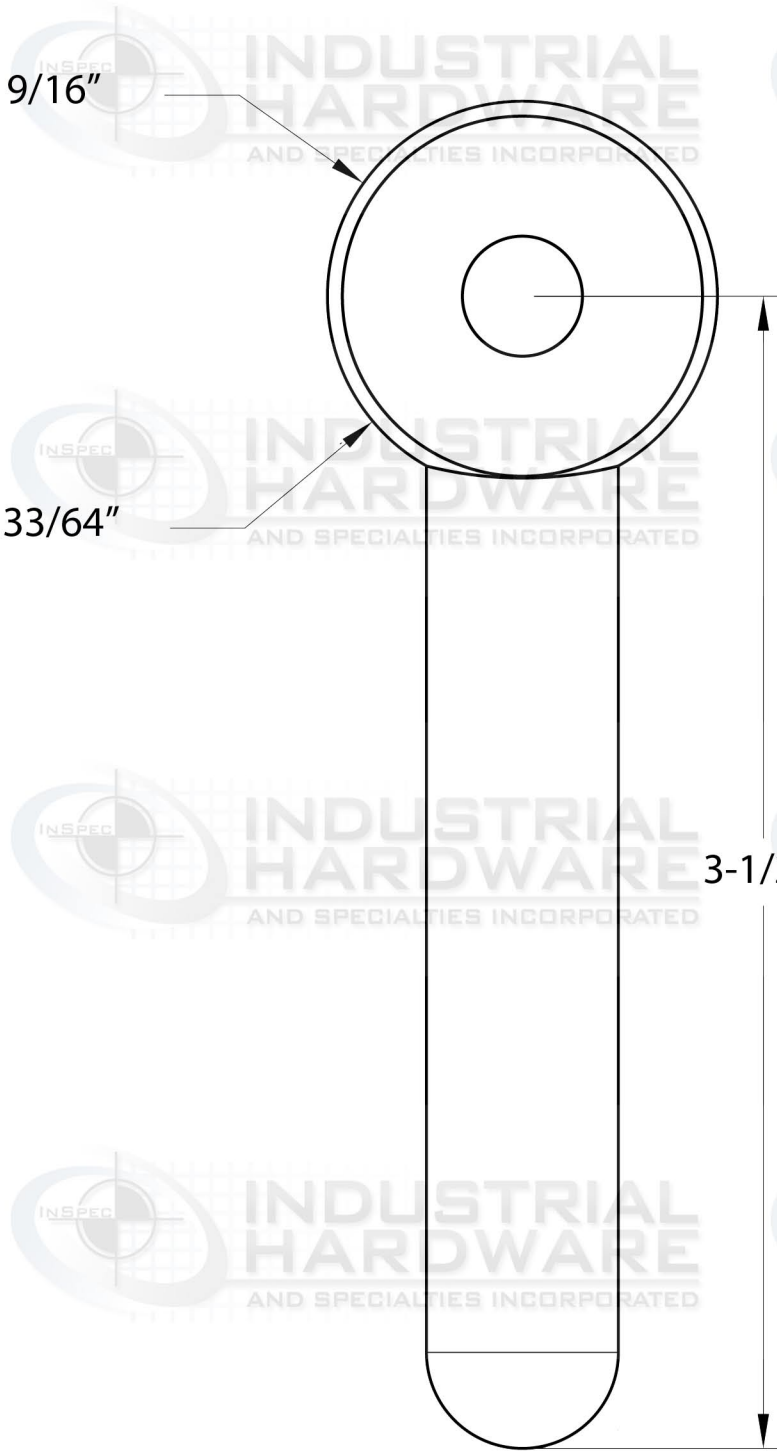
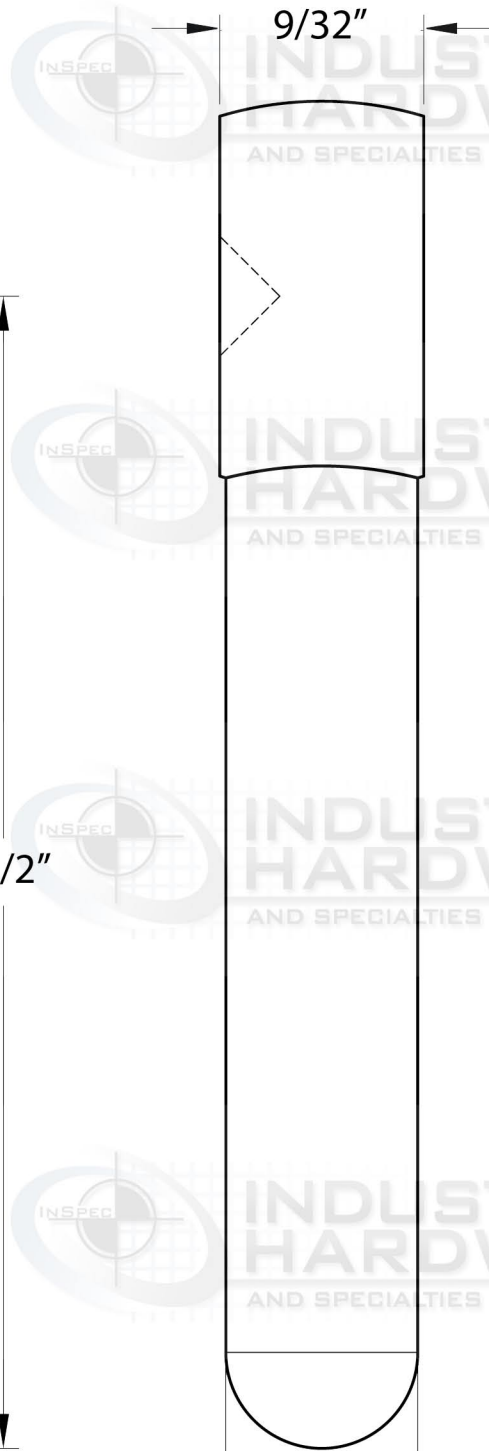


2

1



SCALE 1:1



SCALE 1:1

UNLESS OTHERWISE SPECIFIED,  
DIMENSIONS ARE IN INCHES  
.XX = ±.0-  
.XXX = ±.00-  
.XXXX = ±.000-

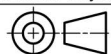
ANGULAR = ± °  
FRACTIONAL = ±

SURFACE FINISH

DO NOT SCALE DRAWING

BREAK ALL SHARP EDGES AND  
REMOVE BURRS

THIRD ANGLE PROJECTION



NAME	DATE
SANE FRIEND	07/22/2020
CHECKED	
APPROVED	



INDUSTRIAL HARDWARE & SPECIALTIES, INC.  
17-B KENTUCKY AVE PATERSON NJ 07503  
973-684-4010 | INDUSTRIALHARDWARE.COM

TITLE

SIZE  
**A**

DWG NO.

**59A-1A-316SS**

REV.

SCALE 1:4

WEIGHT 70

SHEET

1 of 1

2

1

B

B

A

A