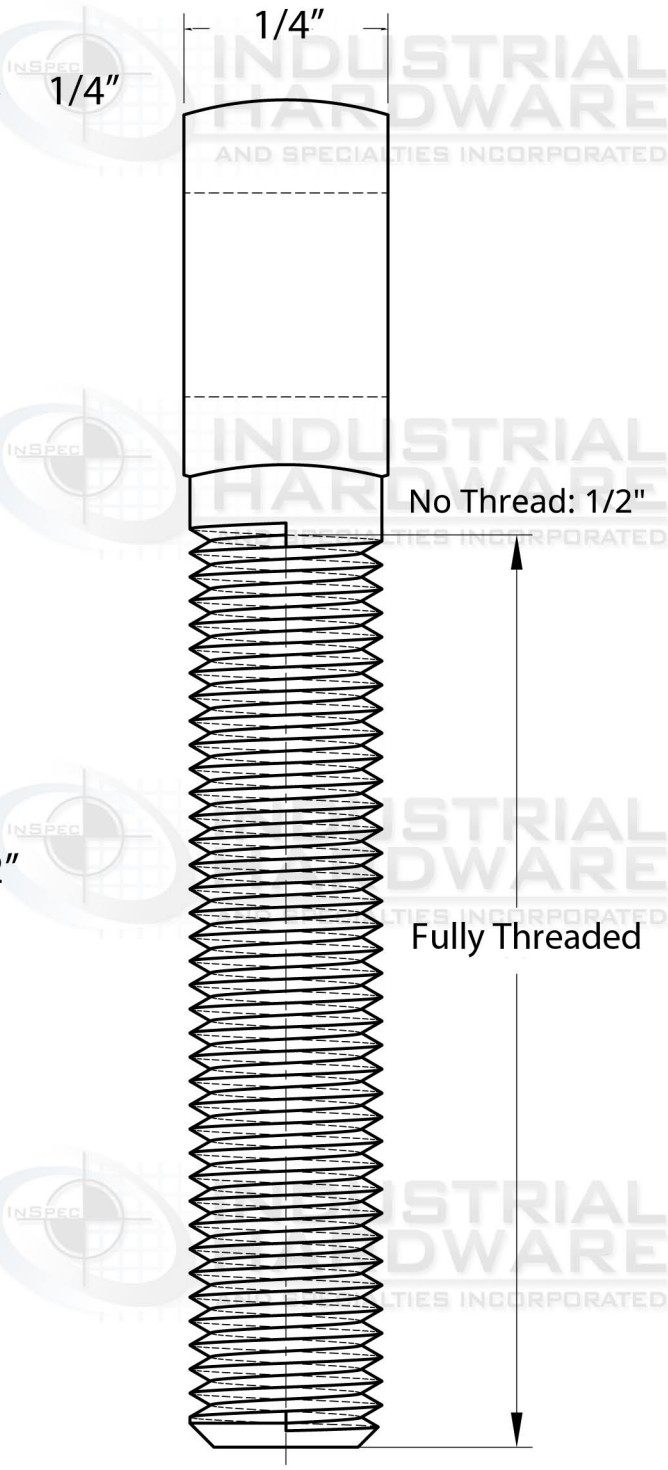
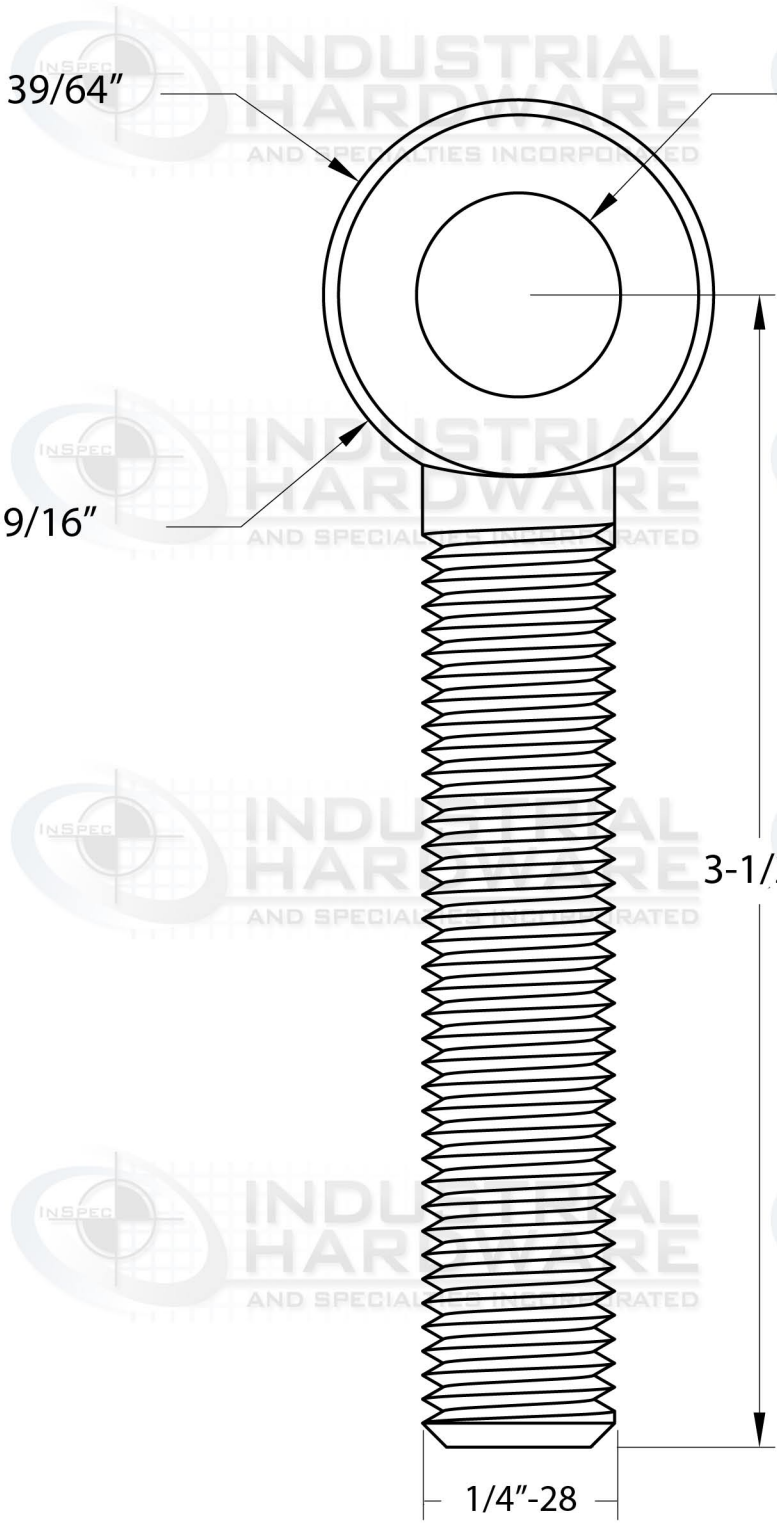


2

1



SCALE 1:1

SCALE 1:1

UNLESS OTHERWISE SPECIFIED,
DIMENSIONS ARE IN INCHES

.XX = ±.0-
.XXX = ±.00-
.XXXX = ±.000-

ANGULAR = ± °
FRACTIONAL = ±

SURFACE FINISH

DO NOT SCALE DRAWING

BREAK ALL SHARP EDGES AND
REMOVE BURRS

THIRD ANGLE PROJECTION

| | |
|---------------------|------------------------|
| NAME | DATE |
| DRAWN | SANE FRIEND 07/22/2020 |
| CHECKED | |
| APPROVED | |
| MATERIAL | FINISH |
| Alloy Steel 4140 | Black Oxide |

| | |
|---|-------------------------------------|
| INDUSTRIAL HARDWARE & SPECIALTIES, INC. 17-B KENTUCKY AVE PATERSON NJ 07503 973-684-4010 INDUSTRIALHARDWARE.COM | |
| TITLE | |
| SIZE A | DWG NO. 59A-1A-B7MACH-UNF |
| SCALE 1:4 | WEIGHT 0.06 |
| SHEET 1 of 1 | REV. |

2

1