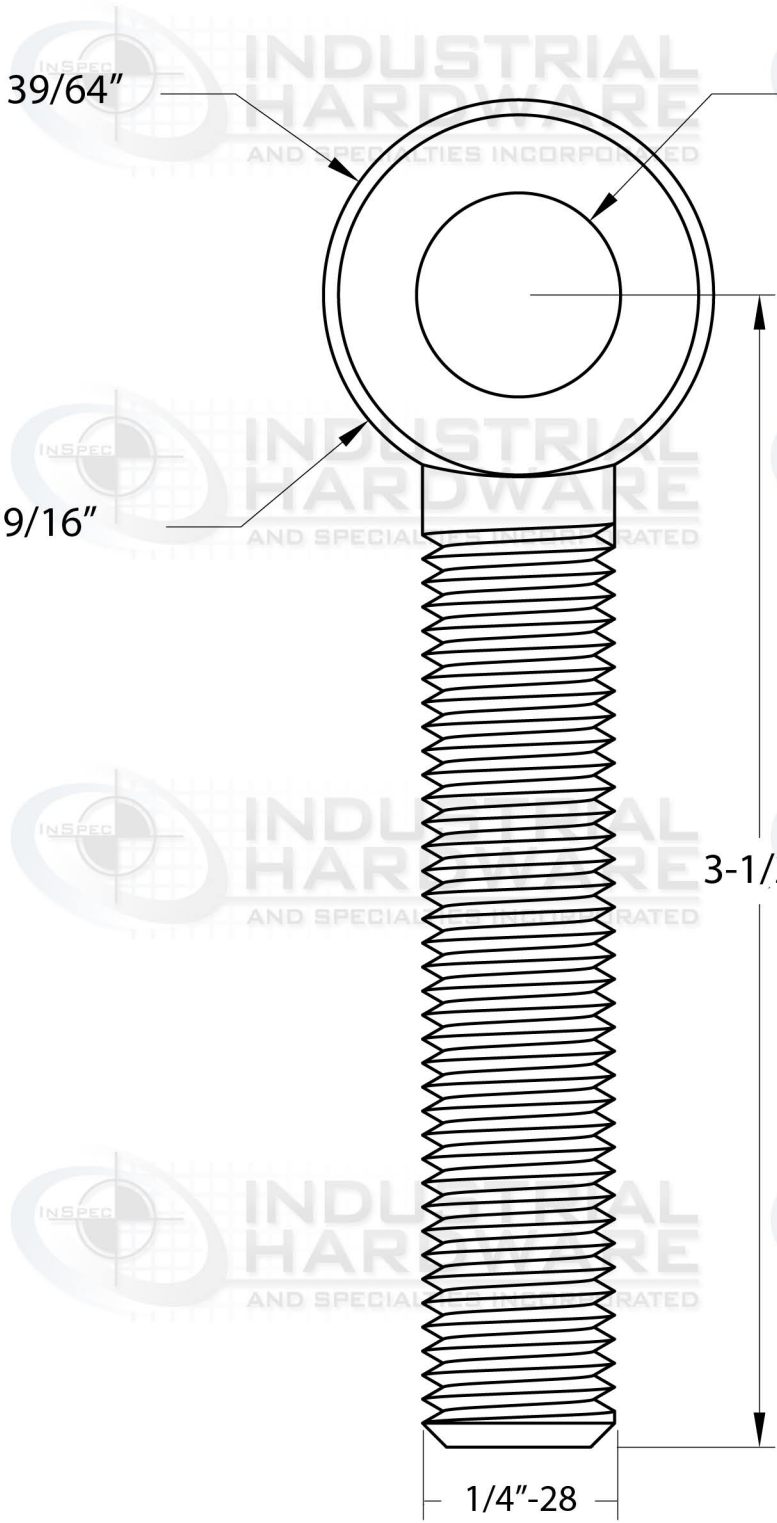
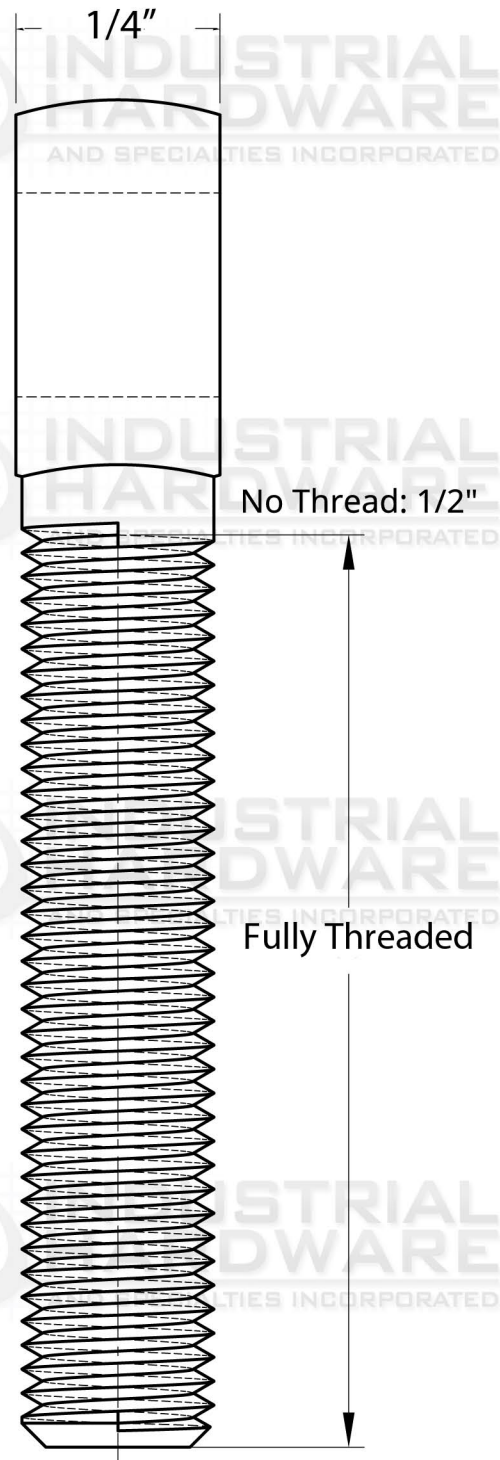


2

1



SCALE 1:1



SCALE 1:1

UNLESS OTHERWISE SPECIFIED,
DIMENSIONS ARE IN INCHES
.XX = ±.0-
.XXX = ±.00-
.XXXX = ±.000-

ANGULAR = ± °
FRACTIONAL = ±

SURFACE FINISH

DO NOT SCALE DRAWING

BREAK ALL SHARP EDGES AND
REMOVE BURRS

THIRD ANGLE PROJECTION



NAME	DATE
DRAWN SANE FRIEND	07/22/2020
CHECKED	
APPROVED	



INDUSTRIAL HARDWARE & SPECIALTIES, INC.
17-B KENTUCKY AVE PATERSON NJ 07503
973-684-4010 | INDUSTRIALHARDWARE.COM

TITLE

SIZE
A

DWG NO.

59A-1A-MACH-UNF

REV.

SCALE 1:4

WEIGHT 0.06

SHEET 1 of 1

2

1

B

B

A

A