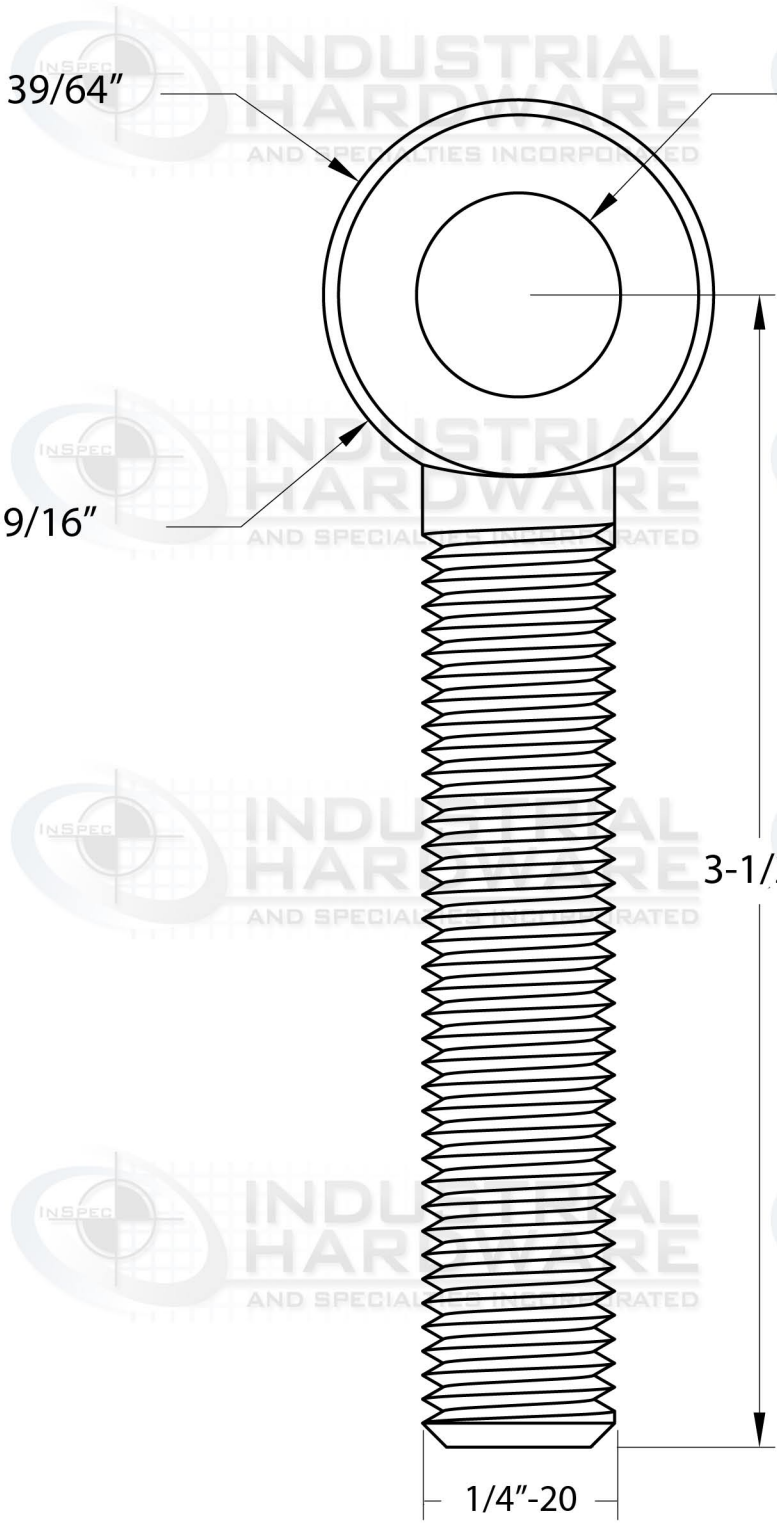
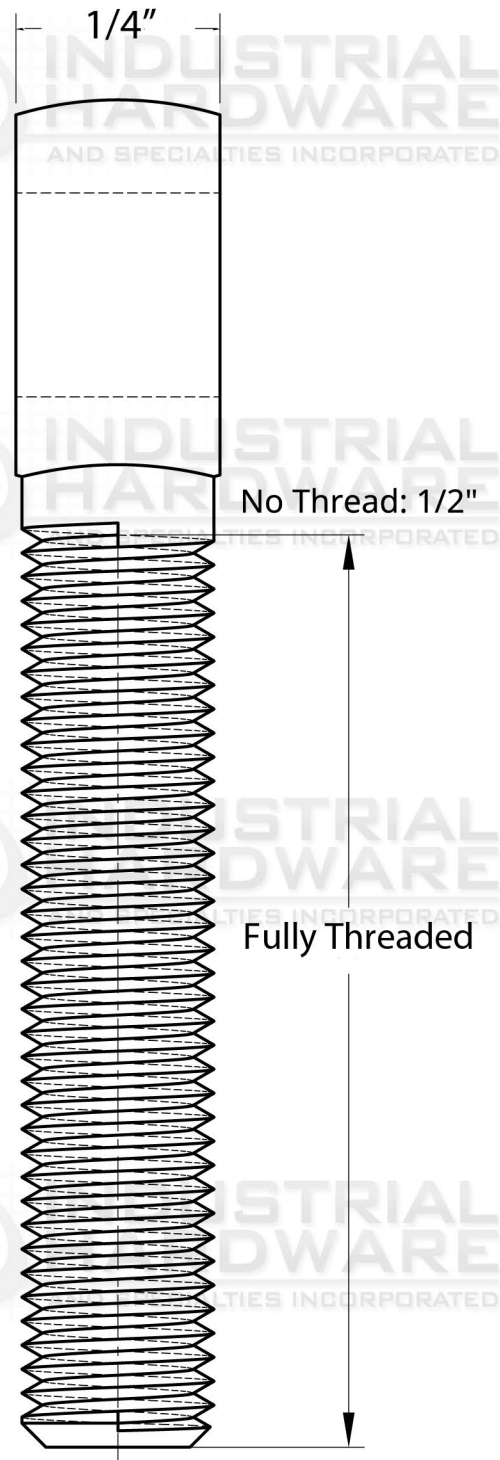


2

1



SCALE 1:1



SCALE 1:1

UNLESS OTHERWISE SPECIFIED,
DIMENSIONS ARE IN INCHES

.XX = ±.0-
.XXX = ±.00-
.XXXX = ±.000-

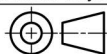
ANGULAR = ± °
FRACTIONAL = ±

SURFACE FINISH

DO NOT SCALE DRAWING

BREAK ALL SHARP EDGES AND REMOVE BURRS

THIRD ANGLE PROJECTION



| | NAME | DATE |
|----------|-------------|------------|
| DRAWN | SANE FRIEND | 07/22/2020 |
| CHECKED | | |
| APPROVED | | |

| | |
|----------------------------|-------------|
| MATERIAL | FINISH |
| Carbon Steel C1030/1035 | Black Oxide |



INDUSTRIAL HARDWARE & SPECIALTIES, INC.
17-B KENTUCKY AVE PATERSON NJ 07503
973-684-4010 | INDUSTRIALHARDWARE.COM

| | |
|--------|-------------|
| TITLE | |
| SIZE | DWG NO. |
| A | 59A-1A-MACH |
| SCALE | WEIGHT |
| 1:4 | 0.05 |
| SHEET | REV. |
| 1 of 1 | |

2

1