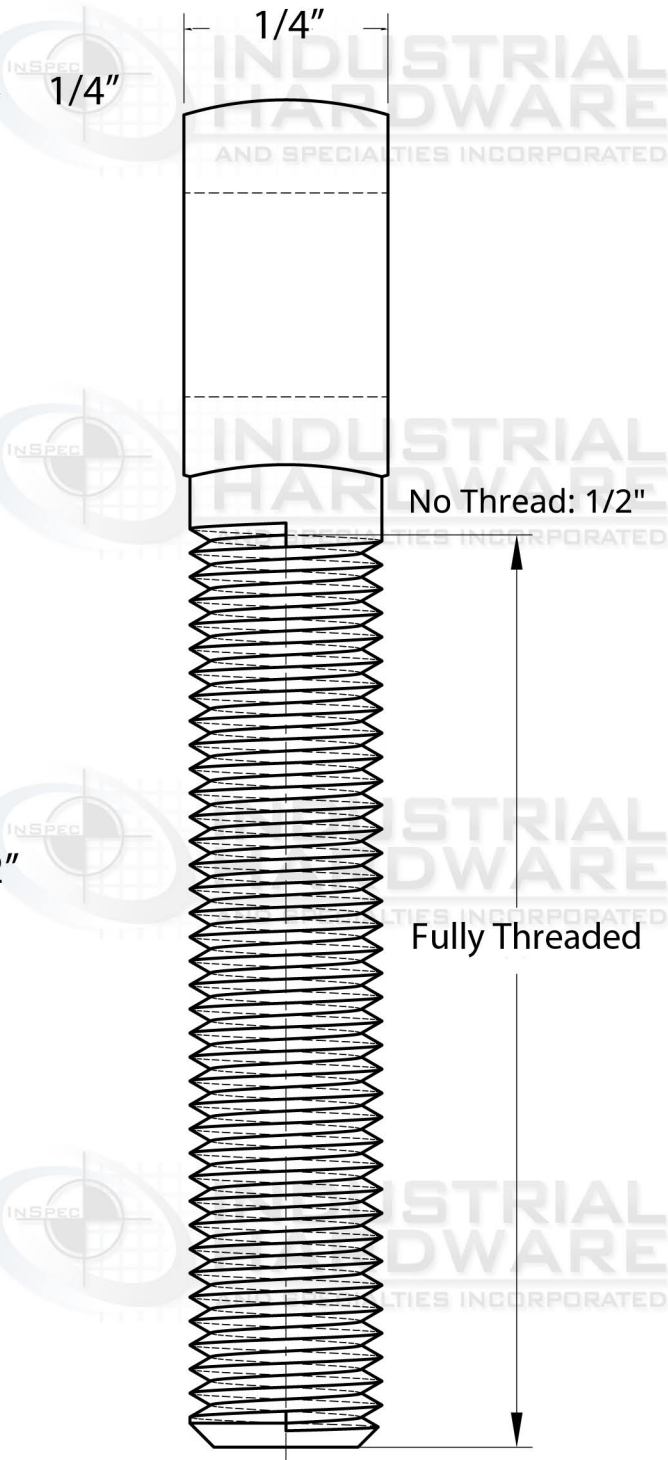
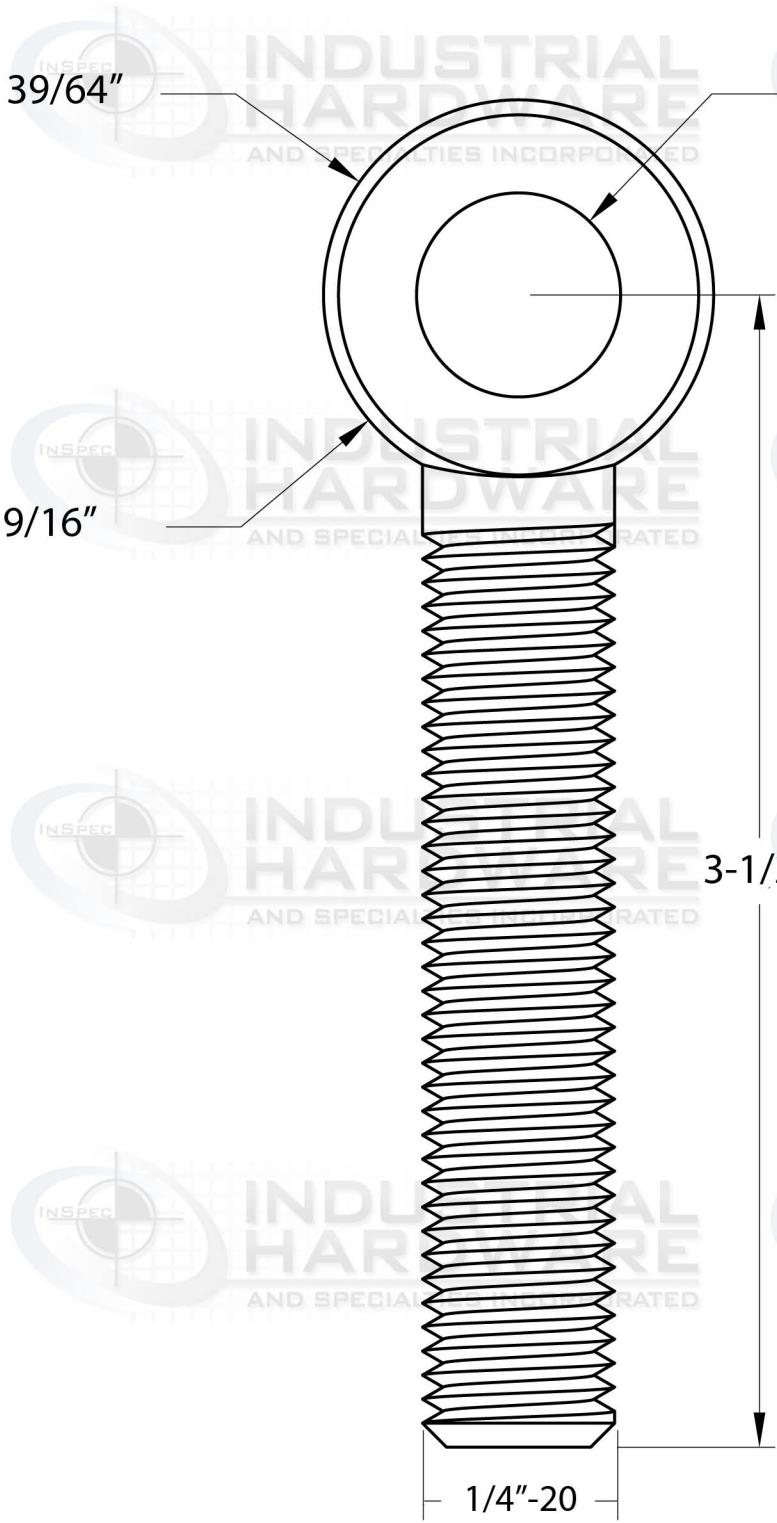


2

1



B

B

A

A

SCALE 1:1

SCALE 1:1

UNLESS OTHERWISE SPECIFIED,  
DIMENSIONS ARE IN INCHES  
.XX = ±.0-  
.XXX = ±.00-  
.XXXX = ±.000-  
SURFACE FINISH ✓  
DO NOT SCALE DRAWING  
BREAK ALL SHARP EDGES AND  
REMOVE BURRS  
THIRD ANGLE PROJECTION

NAME	DATE
DRAWN SANE FRIEND	07/22/2020
CHECKED	
APPROVED	

INDUSTRIAL HARDWARE & SPECIALTIES, INC.  
17-B KENTUCKY AVE PATERSON NJ 07503  
973-684-4010 | INDUSTRIALHARDWARE.COM

MATERIAL	FINISH
Stainless Steel Type 304	Self-Colored

TITLE	SIZE	DWG NO.	REV.
	A	59A-1A-SSMACH	
SCALE	WEIGHT	SHEET	
1:4	0.05	1 of 1	

2

1