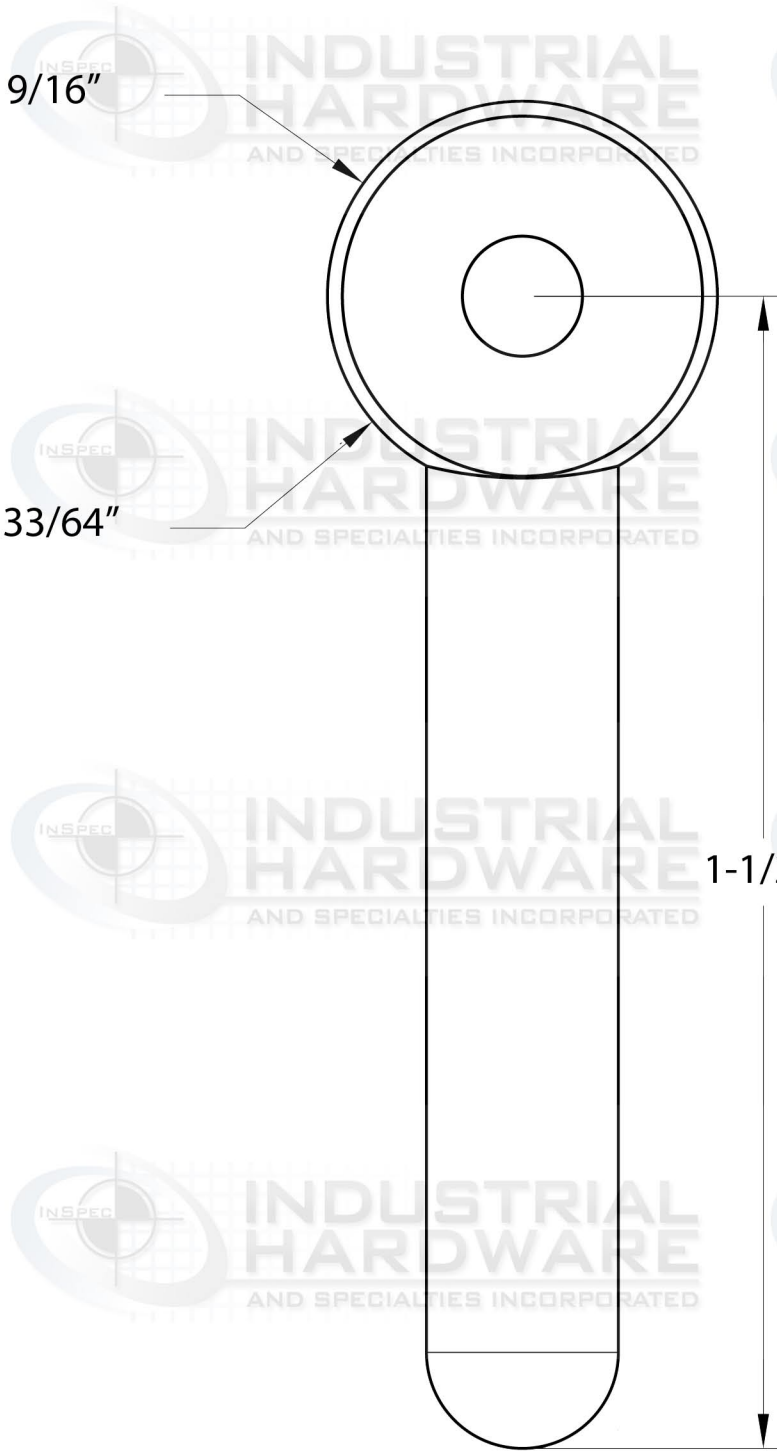
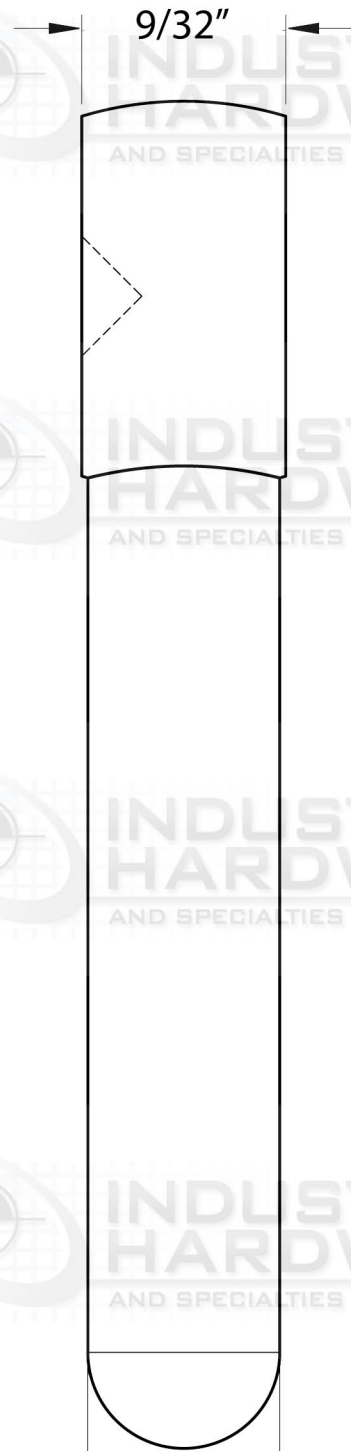


2

1



SCALE 1:1



SCALE 1:1

UNLESS OTHERWISE SPECIFIED, DIMENSIONS ARE IN INCHES

.XX = ±.0-  
.XXX = ±.00-  
.XXXX = ±.000-  
ANGULAR = ±°  
FRACTIONAL = ±

SURFACE FINISH

DO NOT SCALE DRAWING

BREAK ALL SHARP EDGES AND REMOVE BURRS

THIRD ANGLE PROJECTION



NAME DATE

DRAWN SANE FRIEND 07/22/2020

CHECKED

APPROVED

MATERIAL FINISH  
Stainless Steel Self-Colored  
Type 316



INDUSTRIAL HARDWARE & SPECIALTIES, INC.  
17-B KENTUCKY AVE PATERSON NJ 07503  
973-684-4010 | INDUSTRIALHARDWARE.COM

TITLE

SIZE A

DWG NO.

59A-1AA-316SS

REV.

SCALE 1:4

WEIGHT 0.03

SHEET 1 of 1

2

1

B

B

A

A