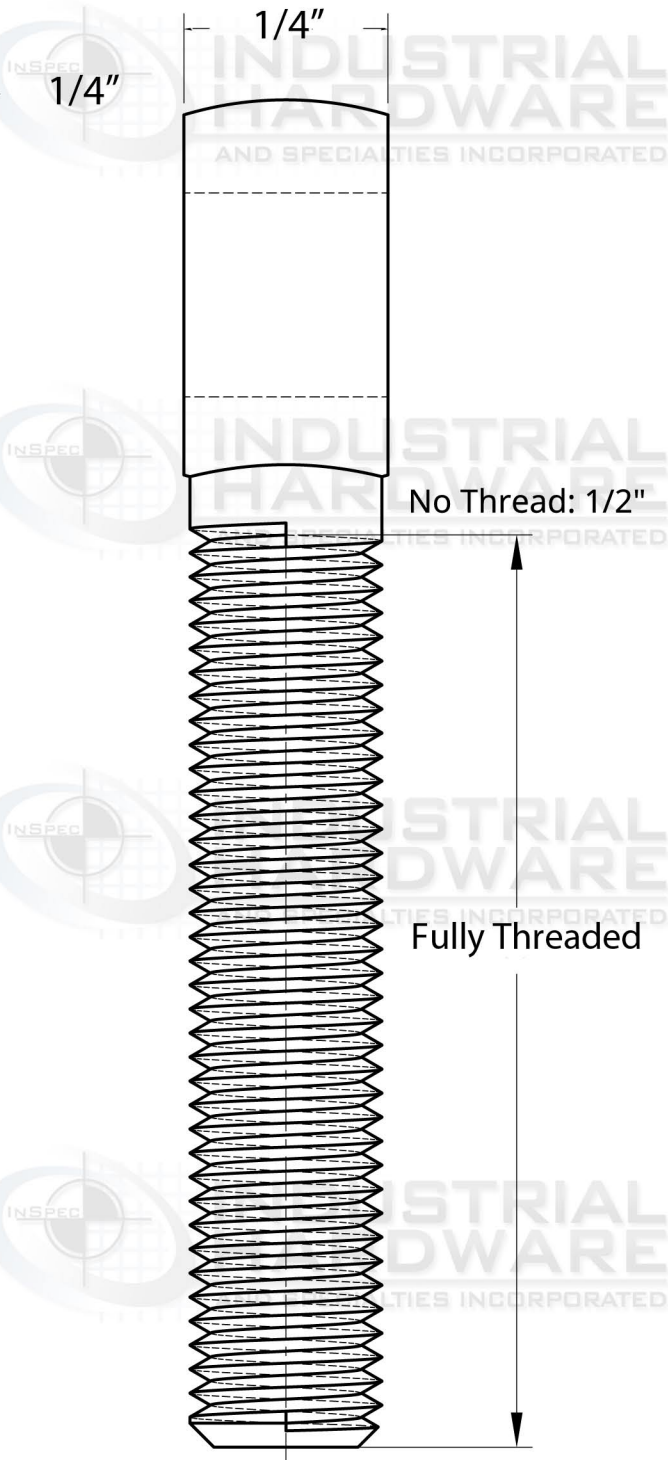
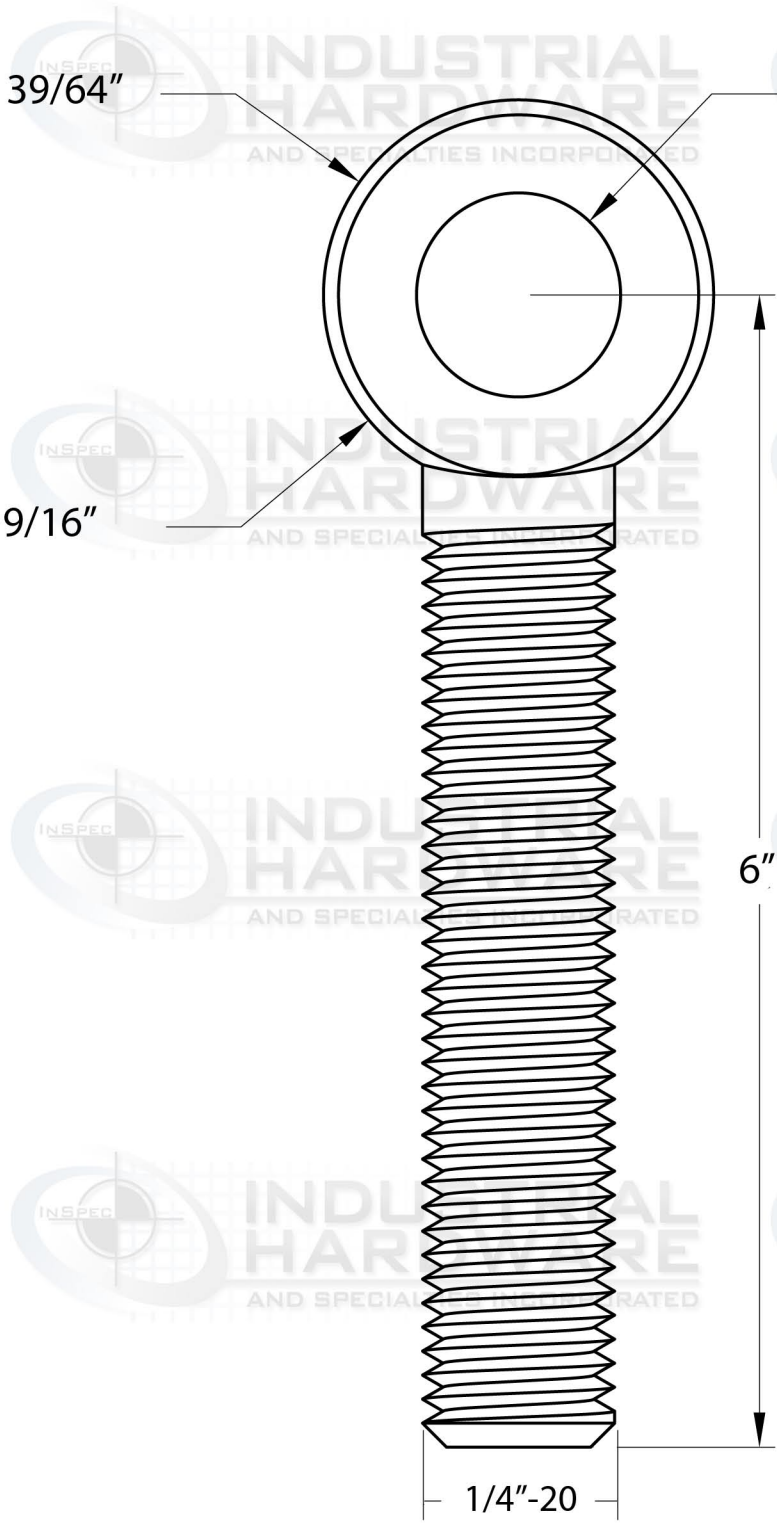


2

1



SCALE 1:1

SCALE 1:1

UNLESS OTHERWISE SPECIFIED,
DIMENSIONS ARE IN INCHES

.XX = ±.0-
.XXX = ±.00-
.XXXX = ±.000-


ANGULAR = ± °
FRACTIONAL = ±

SURFACE FINISH

DO NOT SCALE DRAWING

BREAK ALL SHARP EDGES AND
REMOVE BURRS

THIRD ANGLE PROJECTION



	NAME	DATE
DRAWN	SANE FRIEND	07/22/2020
CHECKED		
APPROVED		
MATERIAL		
Alloy Steel		
4140		
FINISH		
Black Oxide		

INDUSTRIAL HARDWARE & SPECIALTIES, INC. 17-B KENTUCKY AVE PATERSON NJ 07503 973-684-4010 INDUSTRIALHARDWARE.COM	
TITLE	
SIZE	DWG NO.
A	59A-1E-B7MACH
SCALE	WEIGHT
1:4	0.08
SHEET	1 of 1

2

1