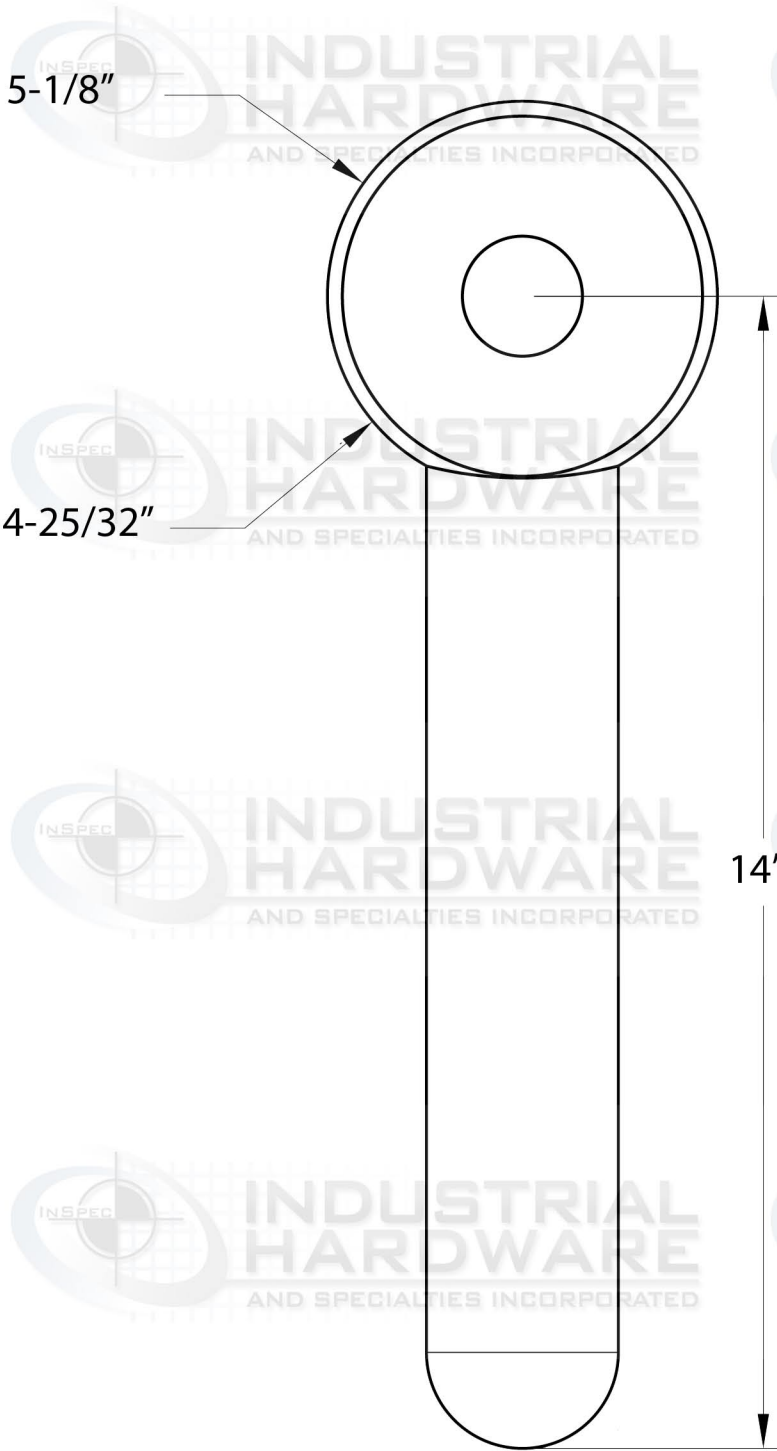


2

1



5-1/8"

2-1/2"


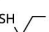

4-25/32"

14"

2-1/2"

SCALE 1:1

SCALE 1:1

UNLESS OTHERWISE SPECIFIED, DIMENSIONS ARE IN INCHES .XX = ±.0- .XXX = ±.00- .XXXX = ±.000-		NAME	DATE	 INDUSTRIAL HARDWARE & SPECIALTIES, INC. 17-B KENTUCKY AVE PATERSON NJ 07503 973-684-4010   INDUSTRIALHARDWARE.COM
ANGULAR = ± ° FRACTIONAL = ±	DRAWN	SANE FRIEND	07/22/2020	
SURFACE FINISH 	CHECKED			
DO NOT SCALE DRAWING	APPROVED			
BREAK ALL SHARP EDGES AND REMOVE BURRS				TITLE
THIRD ANGLE PROJECTION 	MATERIAL	FINISH	SIZE	DWG NO.
	Carbon Steel C1030/1035	Self-Colored	A	59A-22J14
			SCALE	WEIGHT
			1:4	23.03
				SHEET
				1 of 1

2

1

B

B

A

A