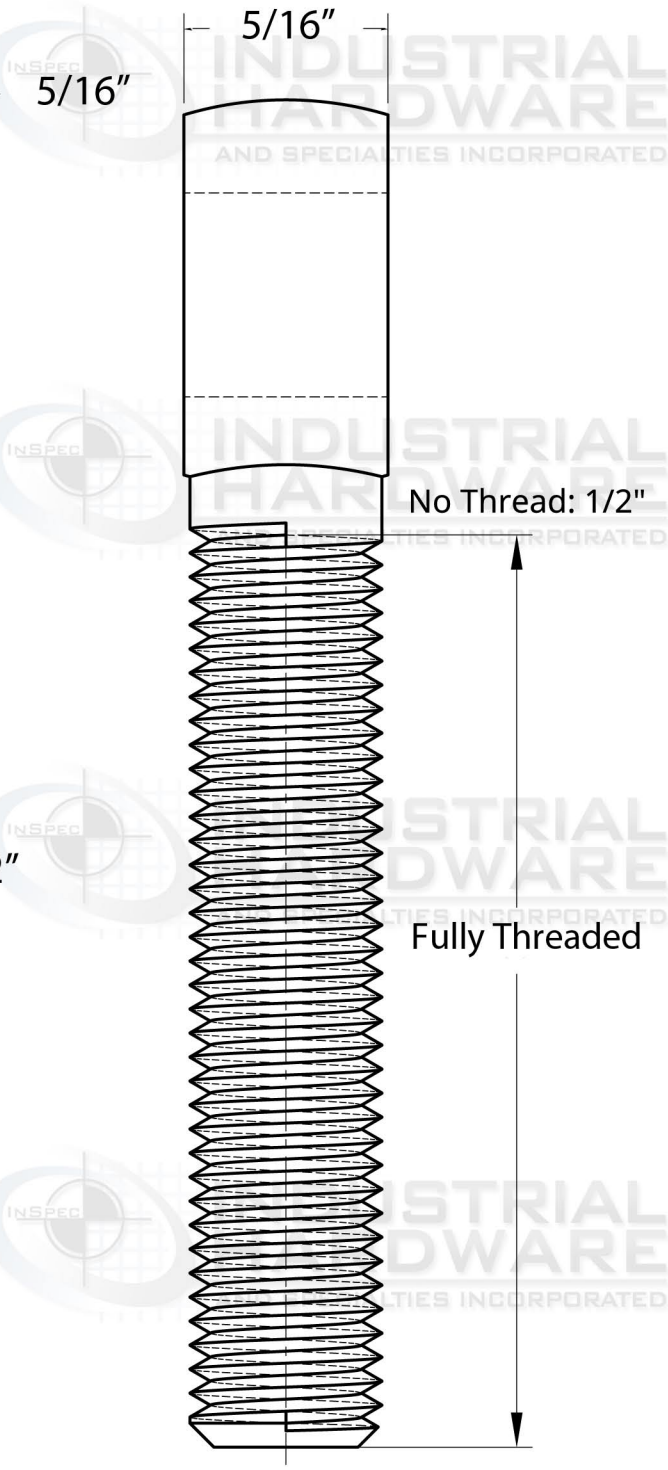
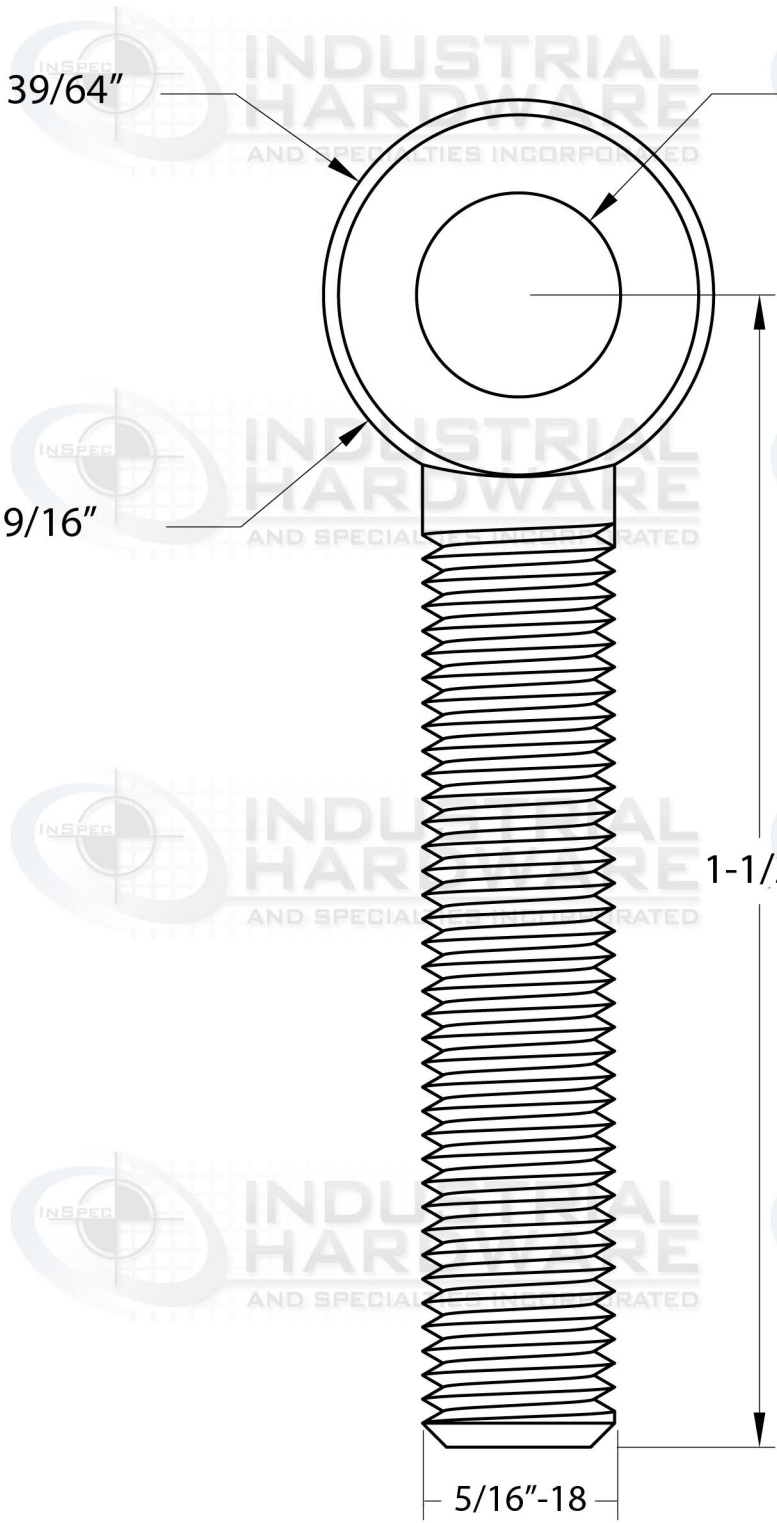




2

1



SCALE 1:1

SCALE 1:1

|  |   |  |  |  |
|--|---|--|--|--|
| UNLESS OTHERWISE SPECIFIED, DIMENSIONS ARE IN INCHES<br>.XX = ±.0-<br>.XXX = ±.00-<br>.XXXX = ±.000-<br>SURFACE FINISH ✓<br>DO NOT SCALE DRAWING<br>BREAK ALL SHARP EDGES AND REMOVE BURRS<br>THIRD ANGLE PROJECTION |   | NAME<br>DRAWN SANE FRIEND<br>CHECKED<br>APPROVED | DATE<br>07/22/2020   |  INDUSTRIAL HARDWARE & SPECIALTIES, INC.<br>17-B KENTUCKY AVE PATERSON NJ 07503<br>973-684-4010   INDUSTRIALHARDWARE.COM |
|   | MATERIAL<br>Stainless Steel<br>Type 304 | FINISH<br>Self-Colored                           | TITLE<br><br>SIZE A DWG NO. 59A-2AA-SSMACH<br>SCALE 1:4 WEIGHT 0.04 SHEET 1 of 1 |  |

2

1