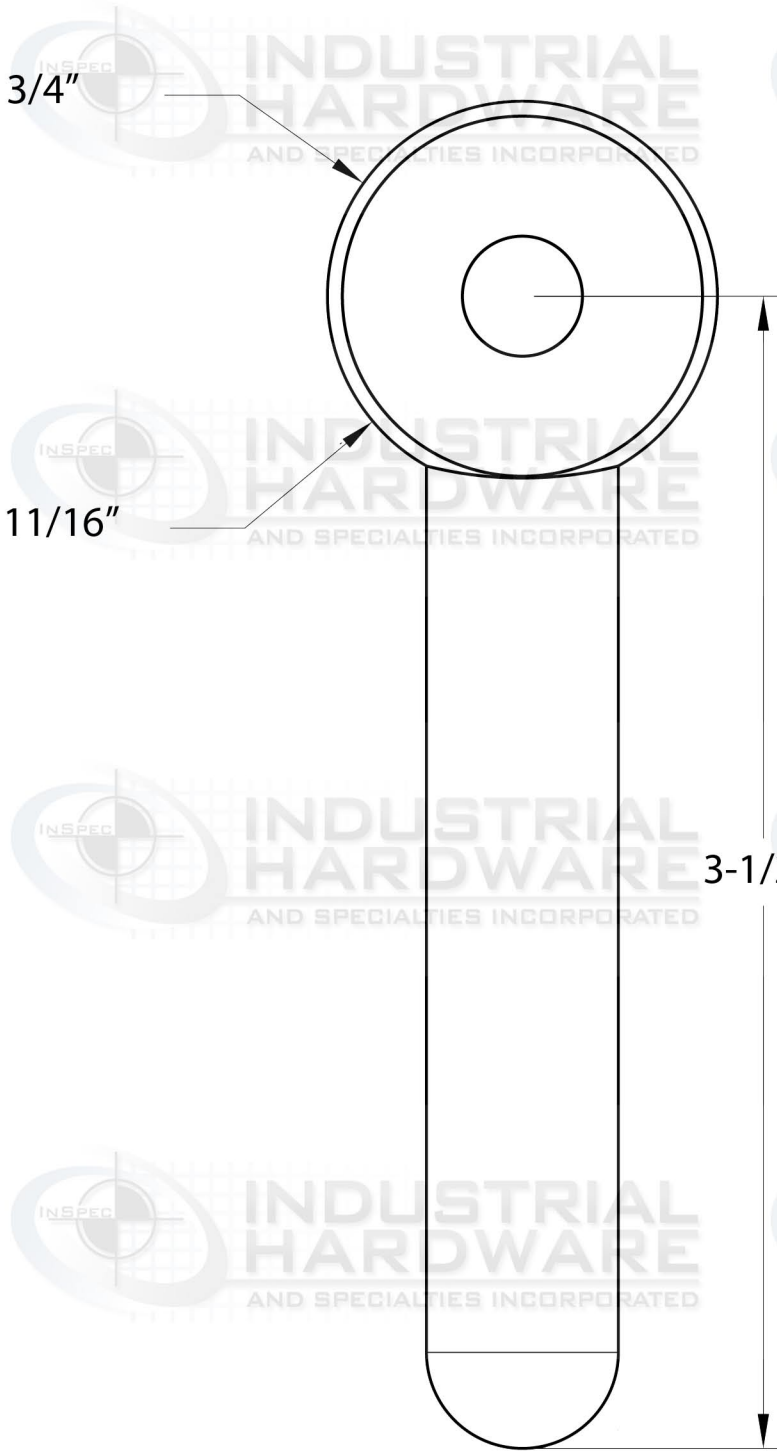
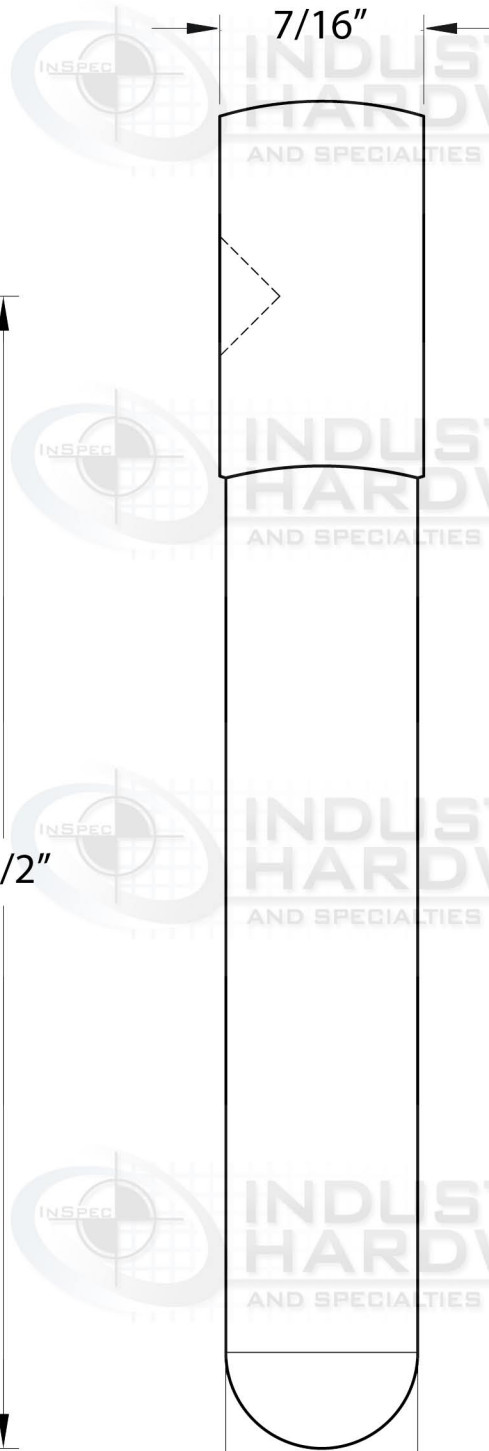


2

1



SCALE 1:1



SCALE 1:1

UNLESS OTHERWISE SPECIFIED, DIMENSIONS ARE IN INCHES	
.XX = ±.0-	ANGULAR = ±°
.XXX = ±.00-	FRACTIONAL = ±
.XXXX = ±.000-	
SURFACE FINISH <input checked="" type="checkbox"/>	
DO NOT SCALE DRAWING	
BREAK ALL SHARP EDGES AND REMOVE BURRS	
THIRD ANGLE PROJECTION	

NAME	DATE
DRAWN SANE FRIEND	07/22/2020
CHECKED	
APPROVED	
MATERIAL	FINISH
Stainless Steel Type 316	Self-Colored

INDUSTRIAL HARDWARE & SPECIALTIES, INC. 17-B KENTUCKY AVE PATERSON NJ 07503 973-684-4010 INDUSTRIALHARDWARE.COM	
TITLE	
SIZE A	DWG NO. 59A-3A-316SS
SCALE 1:4	WEIGHT 0.18
SHEET 1 of 1	REV.

2

1

B

B

A

A