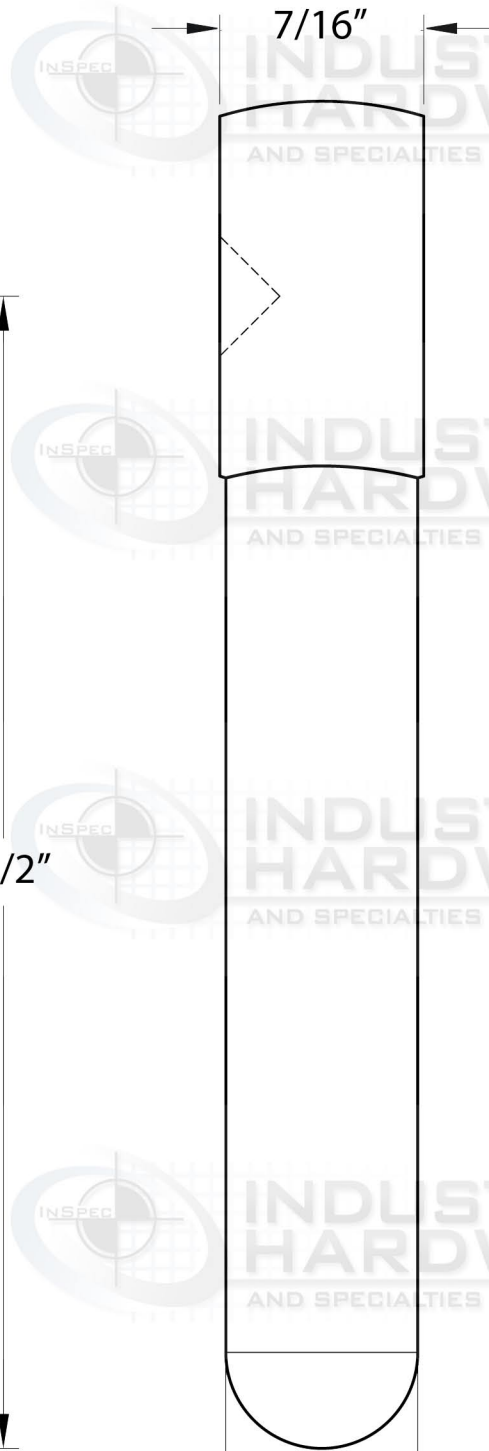
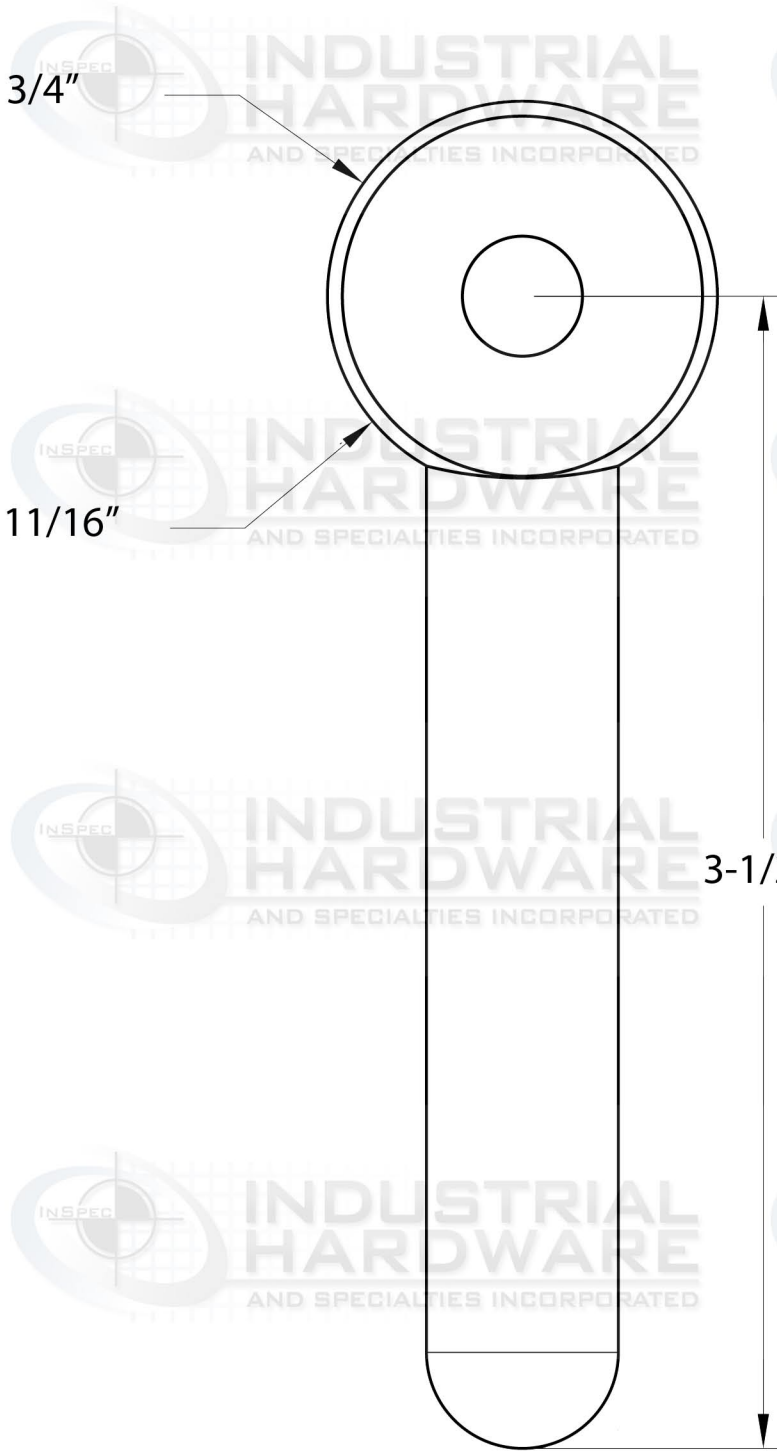


2

1



SCALE 1:1

SCALE 1:1

UNLESS OTHERWISE SPECIFIED, DIMENSIONS ARE IN INCHES

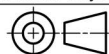
.XX = ±.0-  
.XXX = ±.00-  
.XXXX = ±.000-  
ANGULAR = ±°  
FRACTIONAL = ±

SURFACE FINISH

DO NOT SCALE DRAWING

BREAK ALL SHARP EDGES AND REMOVE BURRS

THIRD ANGLE PROJECTION



|          |                        |
|----------|------------------------|
| NAME     | DATE                   |
| DRAWN    | SANE FRIEND 07/22/2020 |
| CHECKED  |                        |
| APPROVED |                        |

|                  |              |
|------------------|--------------|
| MATERIAL         | FINISH       |
| Alloy Steel 4140 | Self-Colored |



INDUSTRIAL HARDWARE & SPECIALTIES, INC.  
17-B KENTUCKY AVE PATERSON NJ 07503  
973-684-4010 | INDUSTRIALHARDWARE.COM

|       |           |        |      |
|-------|-----------|--------|------|
| TITLE |           |        |      |
| SIZE  | DWG NO.   |        |      |
| A     | 59A-3A-B7 |        |      |
| SCALE | WEIGHT    | SHEET  | REV. |
| 1:4   | 0.18      | 1 of 1 |      |

2

1

B

B

A

A