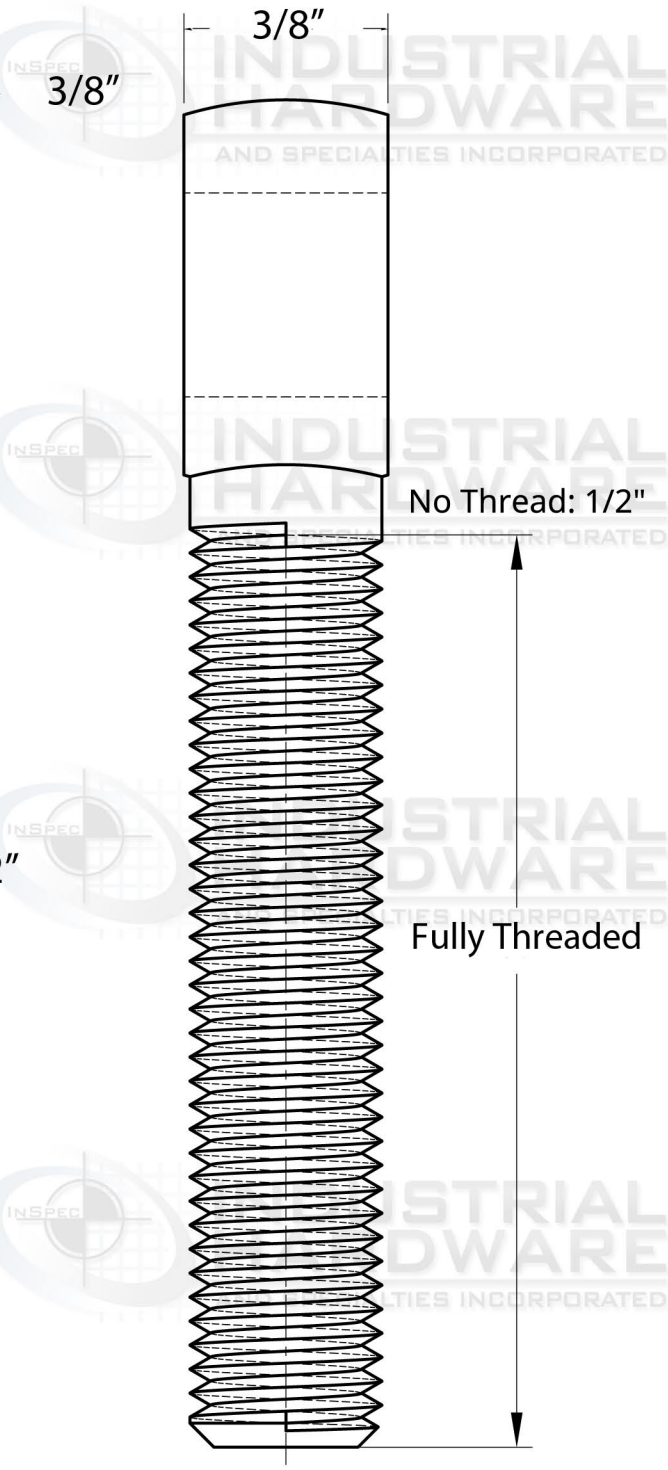
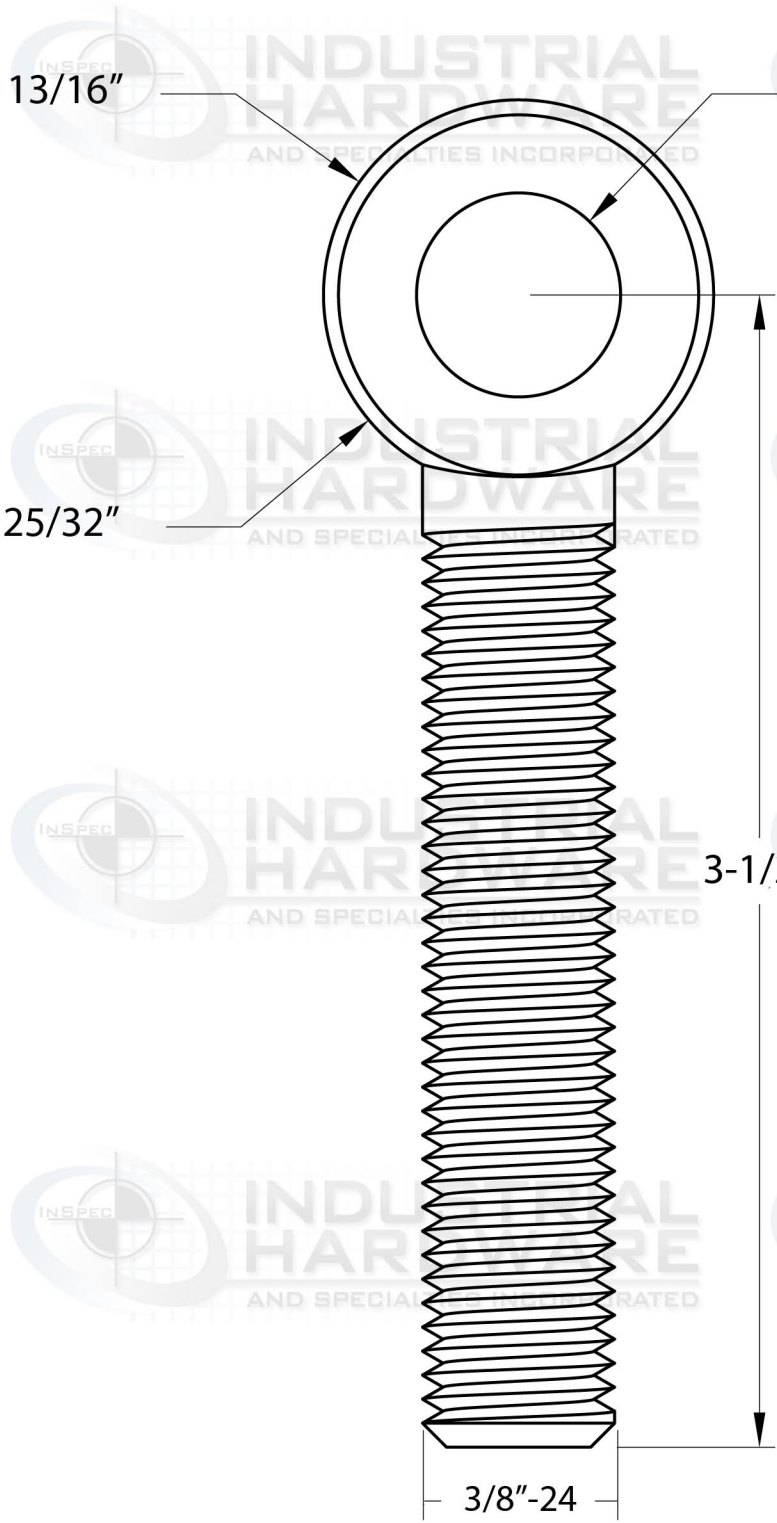


2

1



SCALE 1:1

SCALE 1:1

UNLESS OTHERWISE SPECIFIED, DIMENSIONS ARE IN INCHES .XX = ±.0- .XXX = ±.00- .XXXX = ±.000- SURFACE FINISH <input checked="" type="checkbox"/>		NAME	DATE	INDUSTRIAL HARDWARE & SPECIALTIES, INC. 17-B KENTUCKY AVE PATERSON NJ 07503 973-684-4010 INDUSTRIALHARDWARE.COM
DO NOT SCALE DRAWING	DRAWN	SANE FRIEND	07/22/2020	
BREAK ALL SHARP EDGES AND REMOVE BURRS	CHECKED			
THIRD ANGLE PROJECTION	APPROVED			
MATERIAL	FINISH	SIZE	DWG NO.	REV.
Carbon Steel C1030/1035	Black Oxide	A	59A-3A-MACH-UNF	
		SCALE 1:4	WEIGHT 0.13	SHEET 1 of 1

2

1