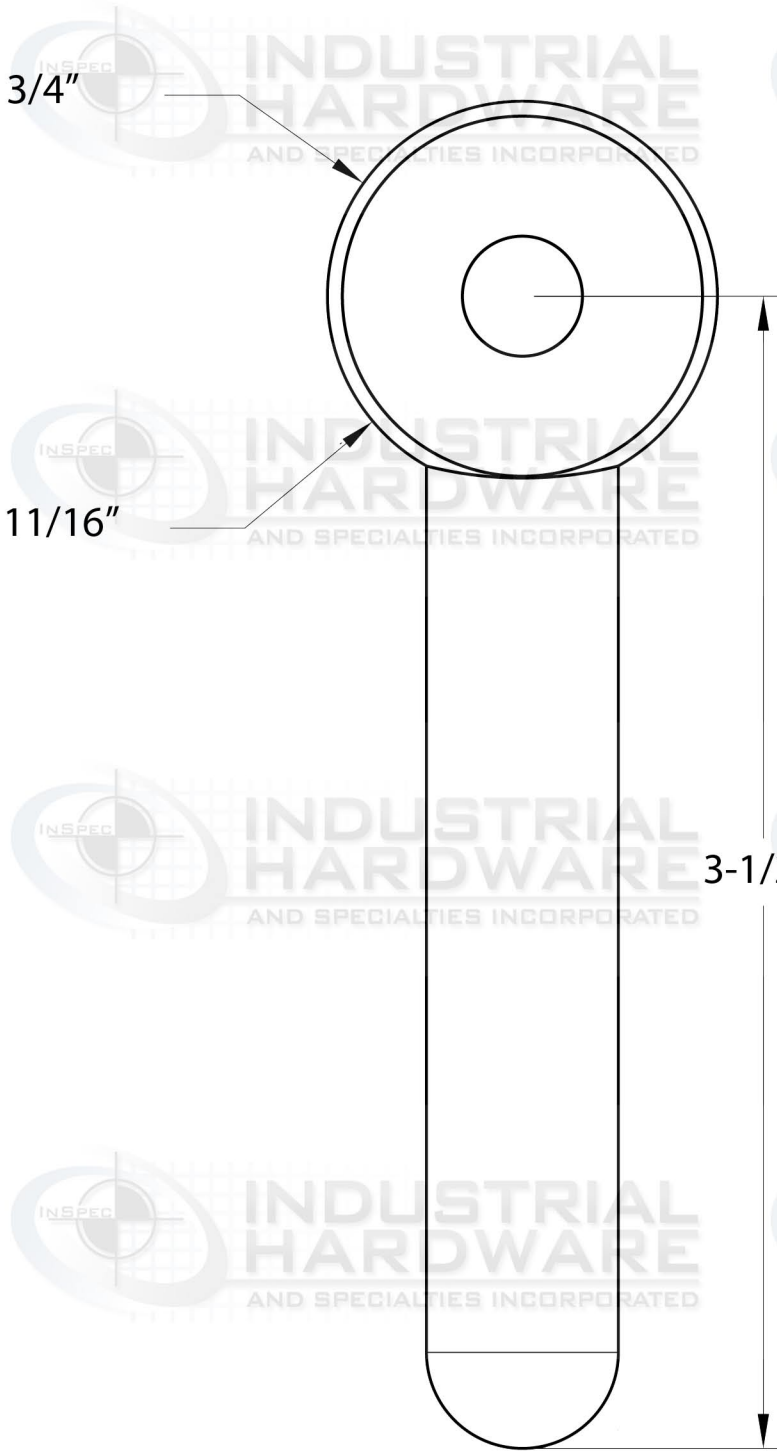
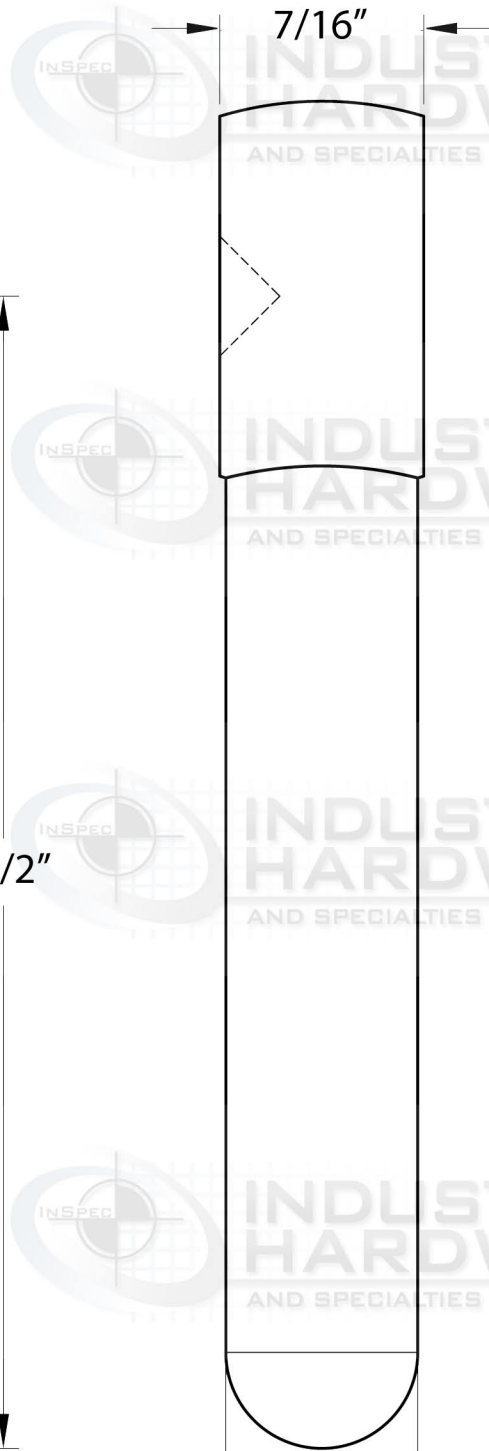


2

1



SCALE 1:1



SCALE 1:1

UNLESS OTHERWISE SPECIFIED, DIMENSIONS ARE IN INCHES	
.XX = ±.0-	ANGULAR = ±°
.XXX = ±.00-	FRACTIONAL = ±
.XXXX = ±.000-	
SURFACE FINISH <input checked="" type="checkbox"/>	
DO NOT SCALE DRAWING	
BREAK ALL SHARP EDGES AND REMOVE BURRS	
THIRD ANGLE PROJECTION	

NAME	DATE
DRAWN	SANE FRIEND 07/22/2020
CHECKED	
APPROVED	
MATERIAL	FINISH
Carbon Steel C1030/1035	Self-Colored

INDUSTRIAL HARDWARE & SPECIALTIES, INC. 17-B KENTUCKY AVE PATERSON NJ 07503 973-684-4010 INDUSTRIALHARDWARE.COM	
TITLE	
SIZE	DWG NO.
A	59A-3A
SCALE	WEIGHT
1:4	0.18
SHEET	REV.
1 of 1	

2

1