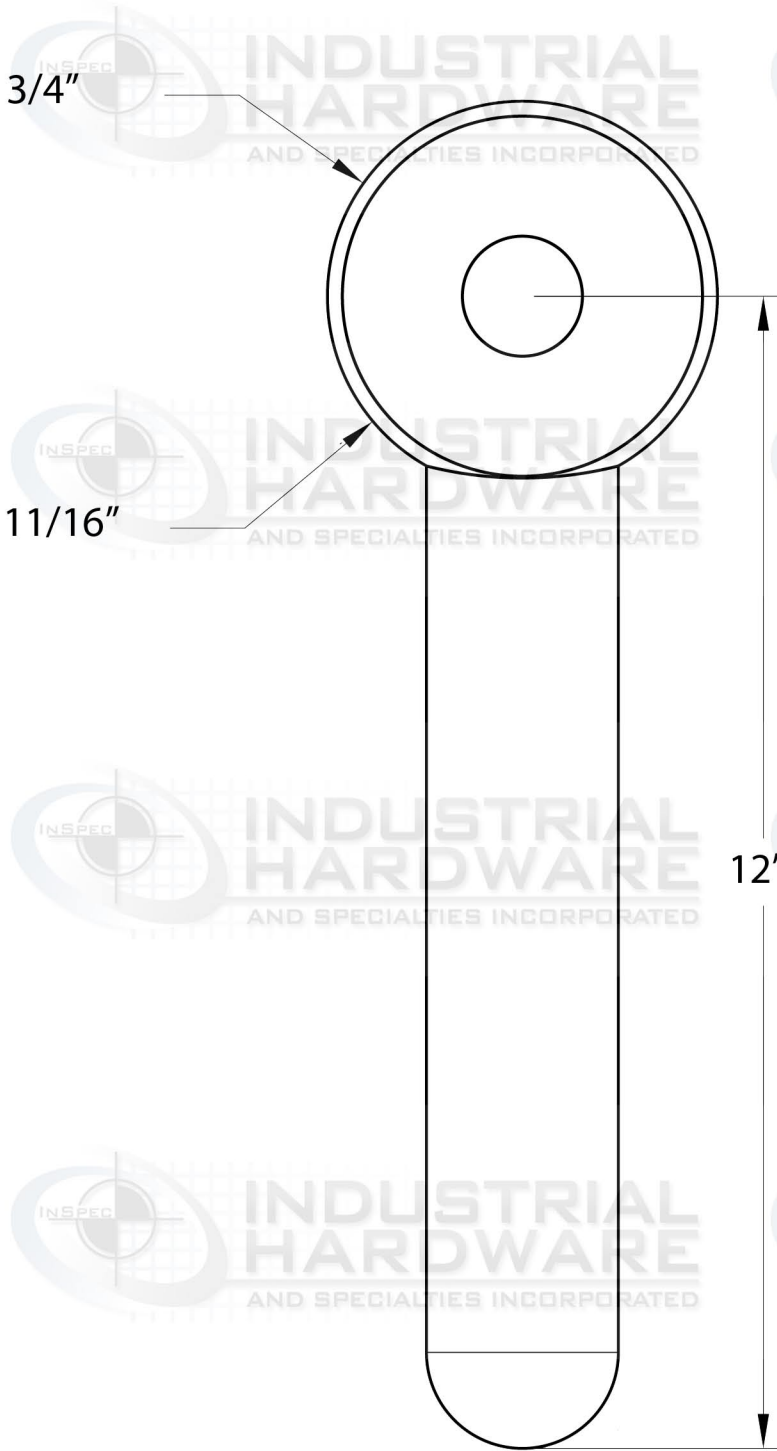


2

1



SCALE 1:1



SCALE 1:1

UNLESS OTHERWISE SPECIFIED, DIMENSIONS ARE IN INCHES

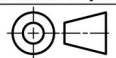
.XX = ±.0-  
.XXX = ±.00-  
.XXXX = ±.000-  
ANGULAR = ±°  
FRACTIONAL = ±

SURFACE FINISH

DO NOT SCALE DRAWING

BREAK ALL SHARP EDGES AND REMOVE BURRS

THIRD ANGLE PROJECTION



|          | NAME        | DATE       |
|----------|-------------|------------|
| DRAWN    | SANE FRIEND | 07/22/2020 |
| CHECKED  |             |            |
| APPROVED |             |            |

|                             |              |
|-----------------------------|--------------|
| MATERIAL                    | FINISH       |
| Stainless Steel<br>Type 304 | Self-Colored |



INDUSTRIAL HARDWARE & SPECIALTIES, INC.  
17-B KENTUCKY AVE PATERSON NJ 07503  
973-684-4010 | INDUSTRIALHARDWARE.COM

|       |           |        |
|-------|-----------|--------|
| TITLE |           |        |
| SIZE  | DWG NO.   |        |
| A     | 59A-3J-SS |        |
| SCALE | WEIGHT    | SHEET  |
| 1:4   | 0.43      | 1 of 1 |

2

1

B

B

A

A