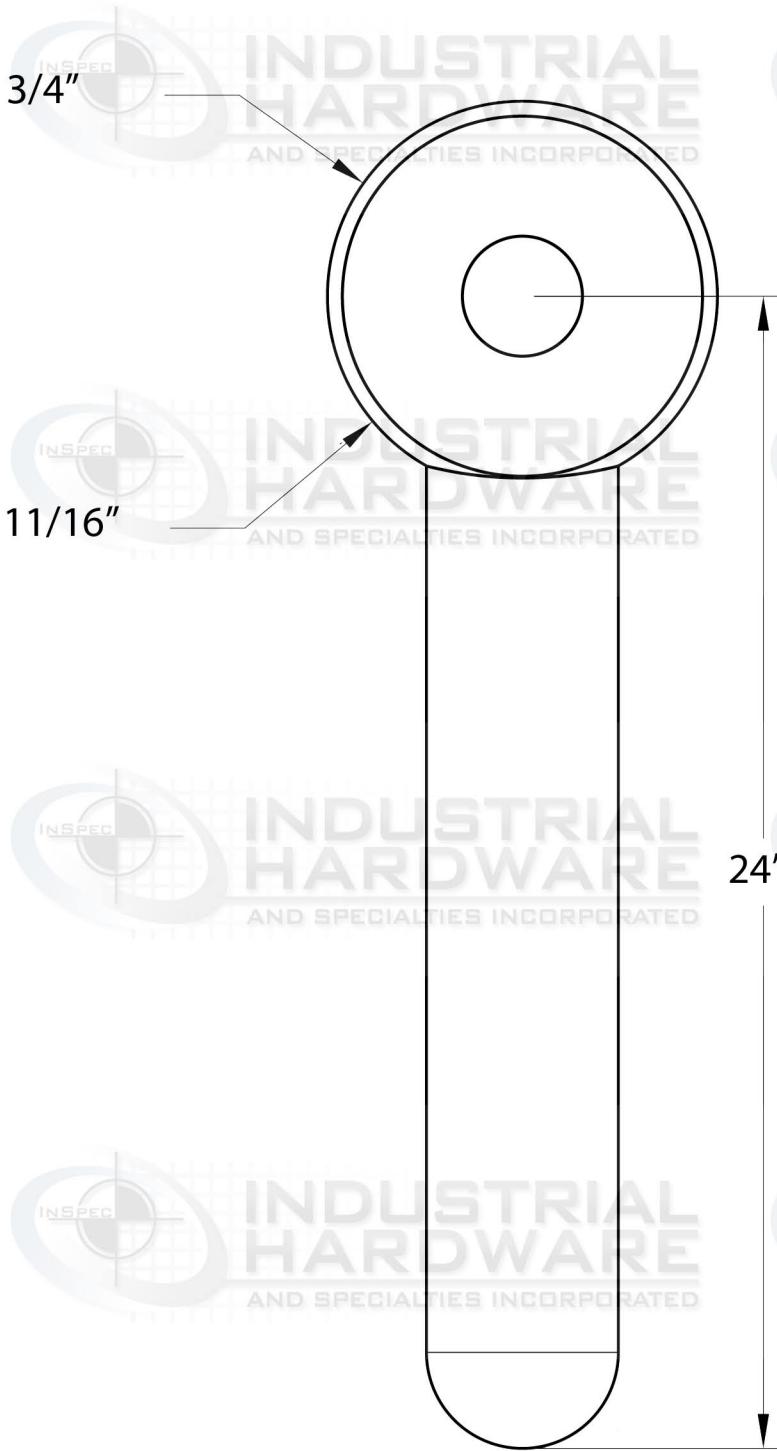
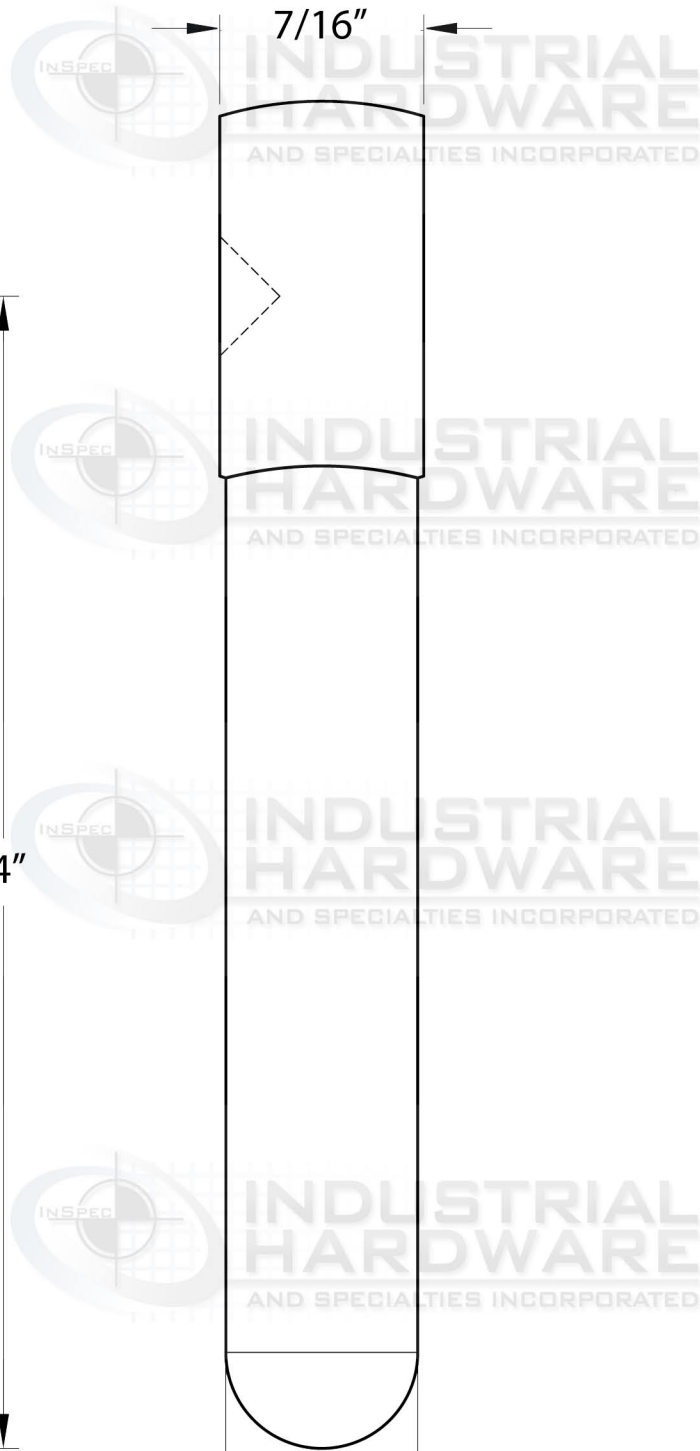


2

1



SCALE 1:1



SCALE 1:1

UNLESS OTHERWISE SPECIFIED,  
DIMENSIONS ARE IN INCHES

.XX = ±.0-  
.XXX = ±.00-  
.XXXX = ±.000-

ANGULAR = ±°  
FRACTIONAL = ±

SURFACE FINISH

DO NOT SCALE DRAWING

BREAK ALL SHARP EDGES AND  
REMOVE BURRS

THIRD ANGLE PROJECTION

NAME	DATE
DRAWN	SANE FRIEND 07/22/2020
CHECKED	
APPROVED	
MATERIAL	FINISH
Carbon Steel C1030/1035	Self-Colored

INDUSTRIAL HARDWARE & SPECIALTIES, INC. 17-B KENTUCKY AVE PATERSON NJ 07503 973-684-4010   INDUSTRIALHARDWARE.COM	
TITLE	
SIZE	DWG NO.
A	59A-3J24
SCALE	WEIGHT
1:4	0.8
SHEET	REV.
1 of 1	

2

1