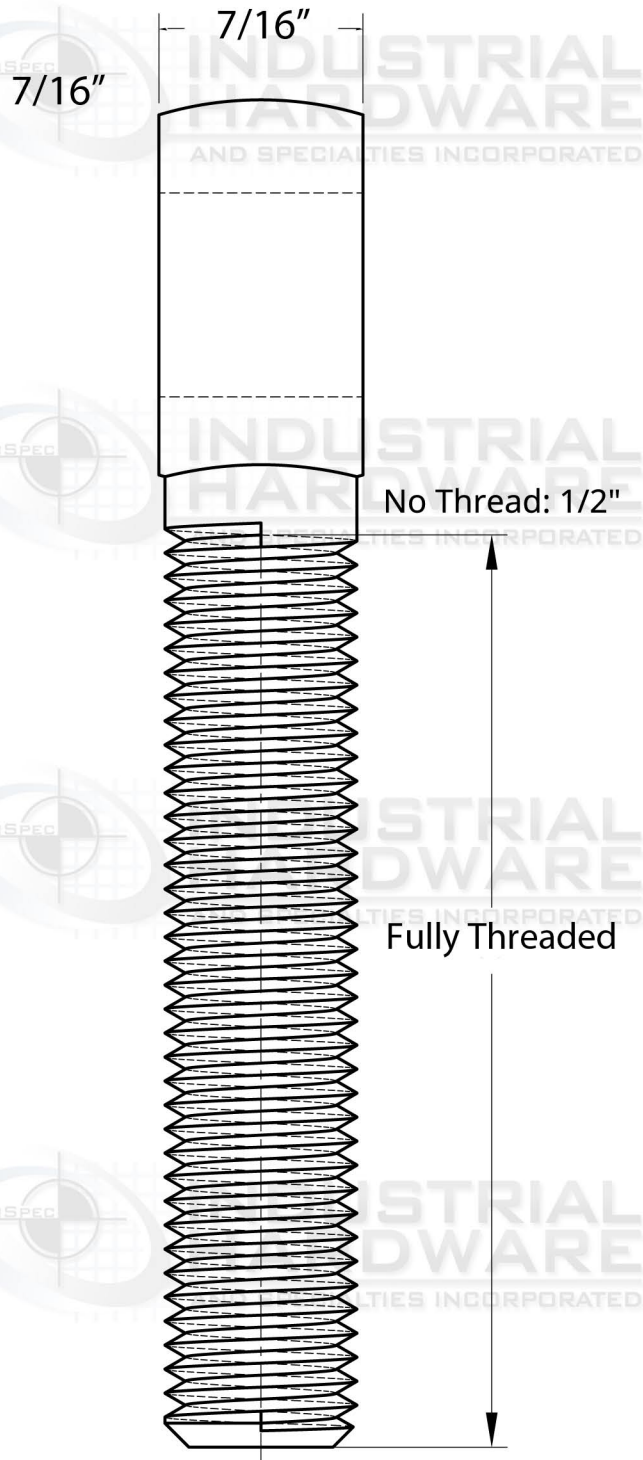
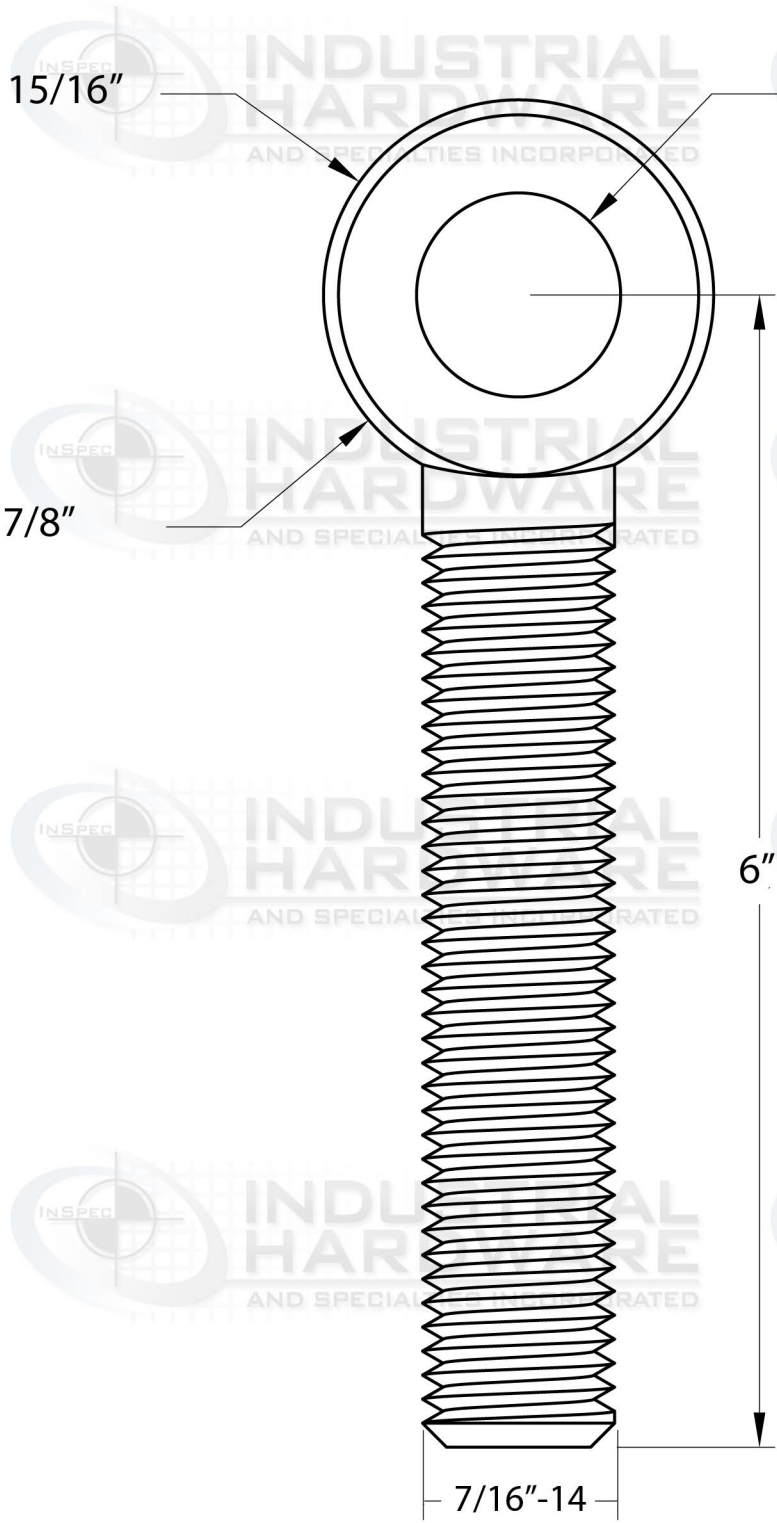


2

1



SCALE 1:1

SCALE 1:1

UNLESS OTHERWISE SPECIFIED, DIMENSIONS ARE IN INCHES .XX = ±.0- .XXX = ±.00- .XXXX = ±.000- SURFACE FINISH ✓ DO NOT SCALE DRAWING BREAK ALL SHARP EDGES AND REMOVE BURRS THIRD ANGLE PROJECTION 	DRAWN	NAME SANE FRIEND	DATE 07/22/2020	 INDUSTRIAL HARDWARE & SPECIALTIES, INC. 17-B KENTUCKY AVE PATERSON NJ 07503 973-684-4010 INDUSTRIALHARDWARE.COM TITLE SIZE A DWG NO. 59A-4E-MACH REV. SCALE 1:4 WEIGHT 0.25 SHEET 1 of 1
	CHECKED			
	APPROVED			
	MATERIAL Carbon Steel C1030/1035	FINISH Black Oxide		

2

1