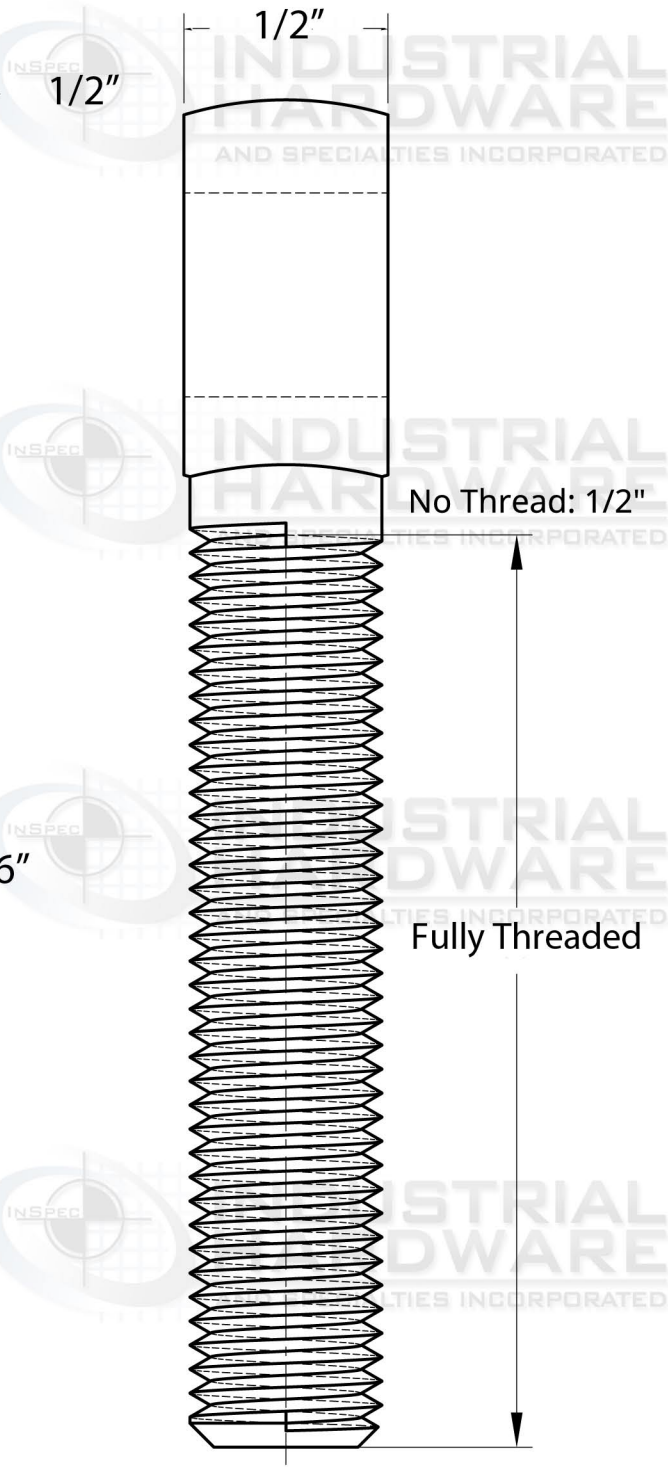
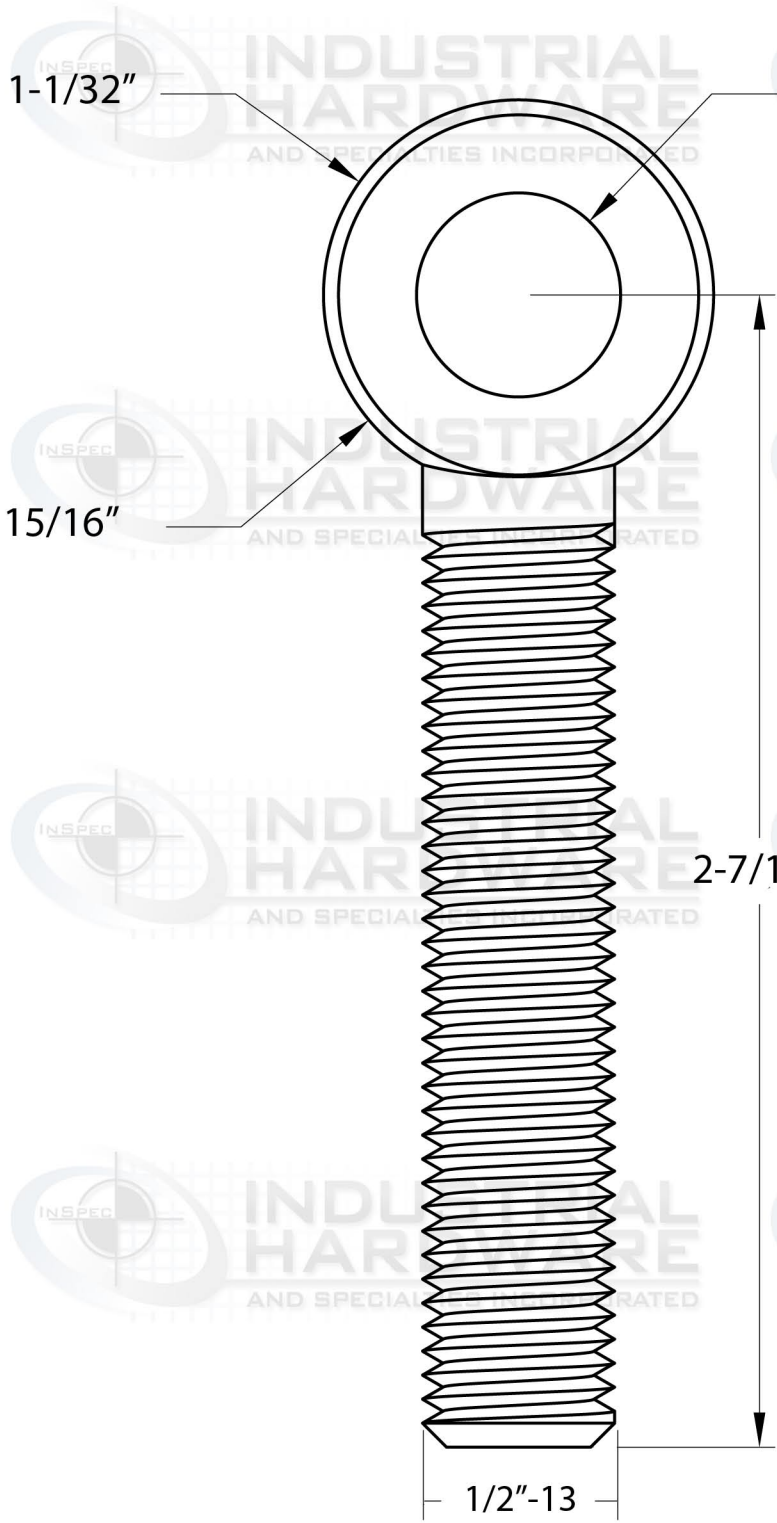




2

1



SCALE 1:1

SCALE 1:1

UNLESS OTHERWISE SPECIFIED, DIMENSIONS ARE IN INCHES .XX = ±.0- .XXX = ±.00- .XXXX = ±.000- SURFACE FINISH <input checked="" type="checkbox"/>	DRAWN	SANE FRIEND	DATE	07/22/2020	 INDUSTRIAL HARDWARE & SPECIALTIES, INC. 17-B KENTUCKY AVE PATERSON NJ 07503 973-684-4010 INDUSTRIALHARDWARE.COM			
	CHECKED		TITLE					
	APPROVED		SIZE	A				
	DO NOT SCALE DRAWING BREAK ALL SHARP EDGES AND REMOVE BURRS THIRD ANGLE PROJECTION	MATERIAL	FINISH	DWG NO.		59A-5A.1-MACH	REV.	
	Carbon Steel C1030/1035	Black Oxide	SCALE	1:4	WEIGHT	0.17	SHEET	1 of 1

2

1