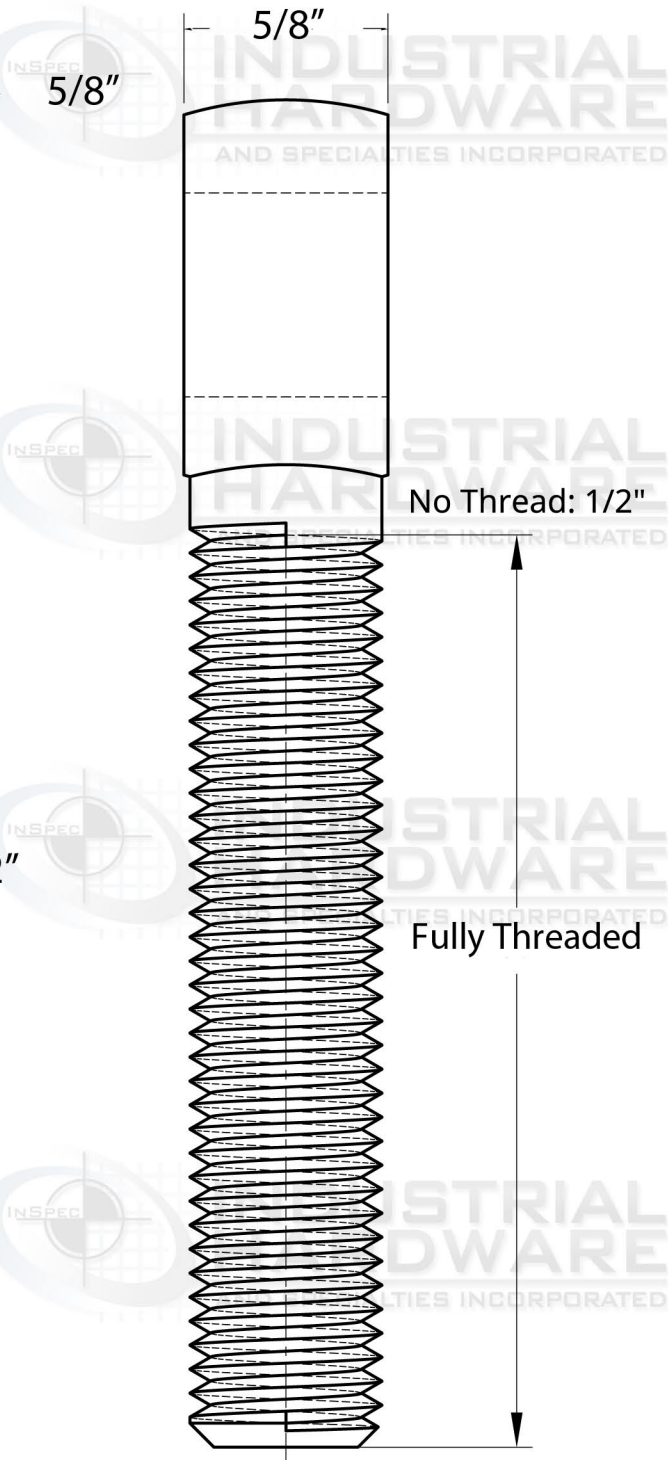
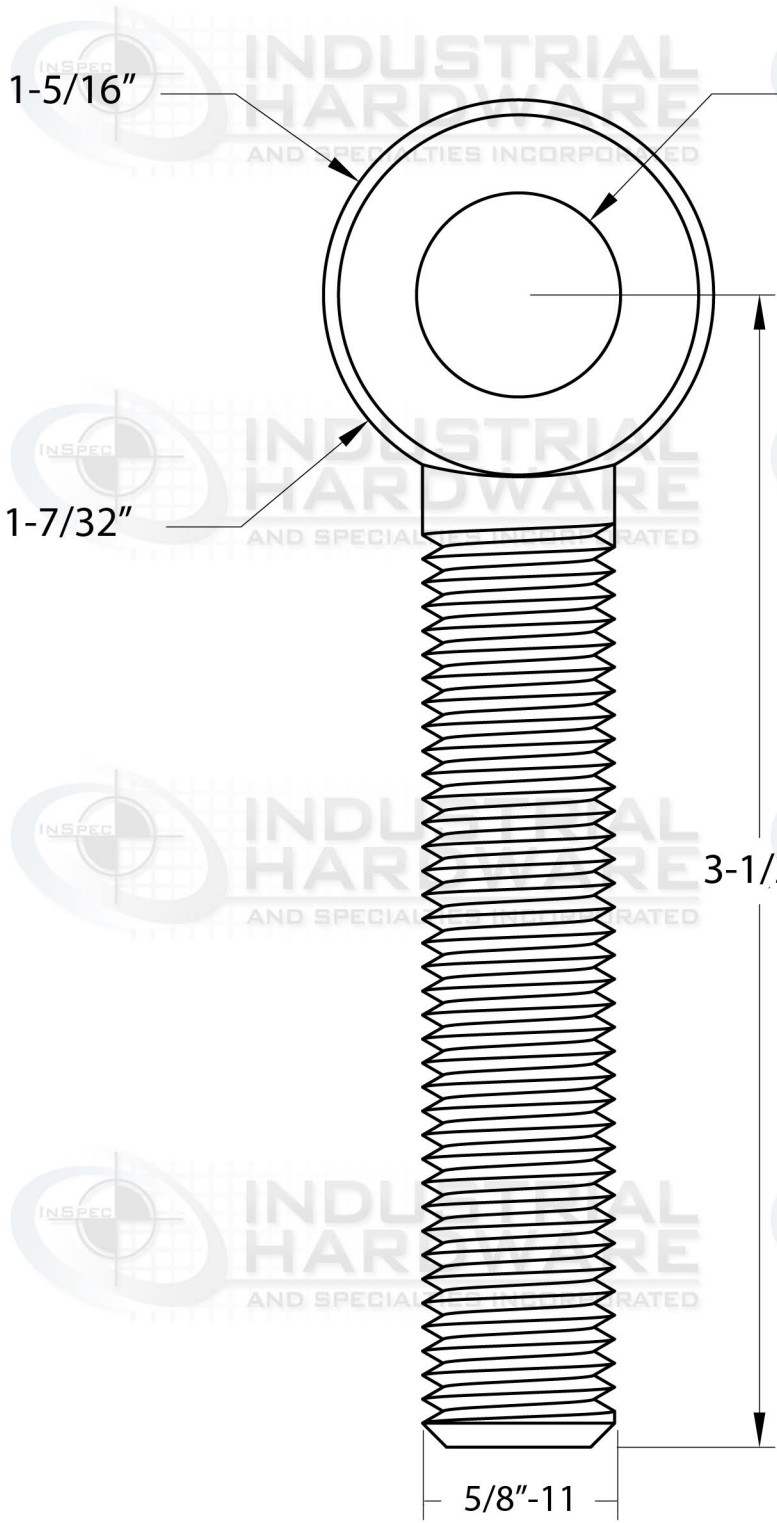


2

1



SCALE 1:1

SCALE 1:1

UNLESS OTHERWISE SPECIFIED,
DIMENSIONS ARE IN INCHES

.XX = ±.0-
.XXX = ±.00-
.XXXX = ±.000-


ANGULAR = ± °
FRACTIONAL = ±

SURFACE FINISH


DO NOT SCALE DRAWING

BREAK ALL SHARP EDGES AND
REMOVE BURRS

THIRD ANGLE PROJECTION



| | | |
|-----------------|-------------|--------------|
| | NAME | DATE |
| DRAWN | SANE FRIEND | 07/22/2020 |
| CHECKED | | |
| APPROVED | | |
| MATERIAL | | FINISH |
| Stainless Steel | | Self-Colored |
| Type 304 | | |

| | | |
|--|---------------|--------|
|  INDUSTRIAL HARDWARE & SPECIALTIES, INC. 17-B KENTUCKY AVE PATERSON NJ 07503 973-684-4010 INDUSTRIALHARDWARE.COM | | |
| TITLE | | |
| SIZE | DWG NO. | REV. |
| A | 59A-6A-SSMACH | |
| SCALE | WEIGHT | SHEET |
| 1:4 | 0.38 | 1 of 1 |

2

1