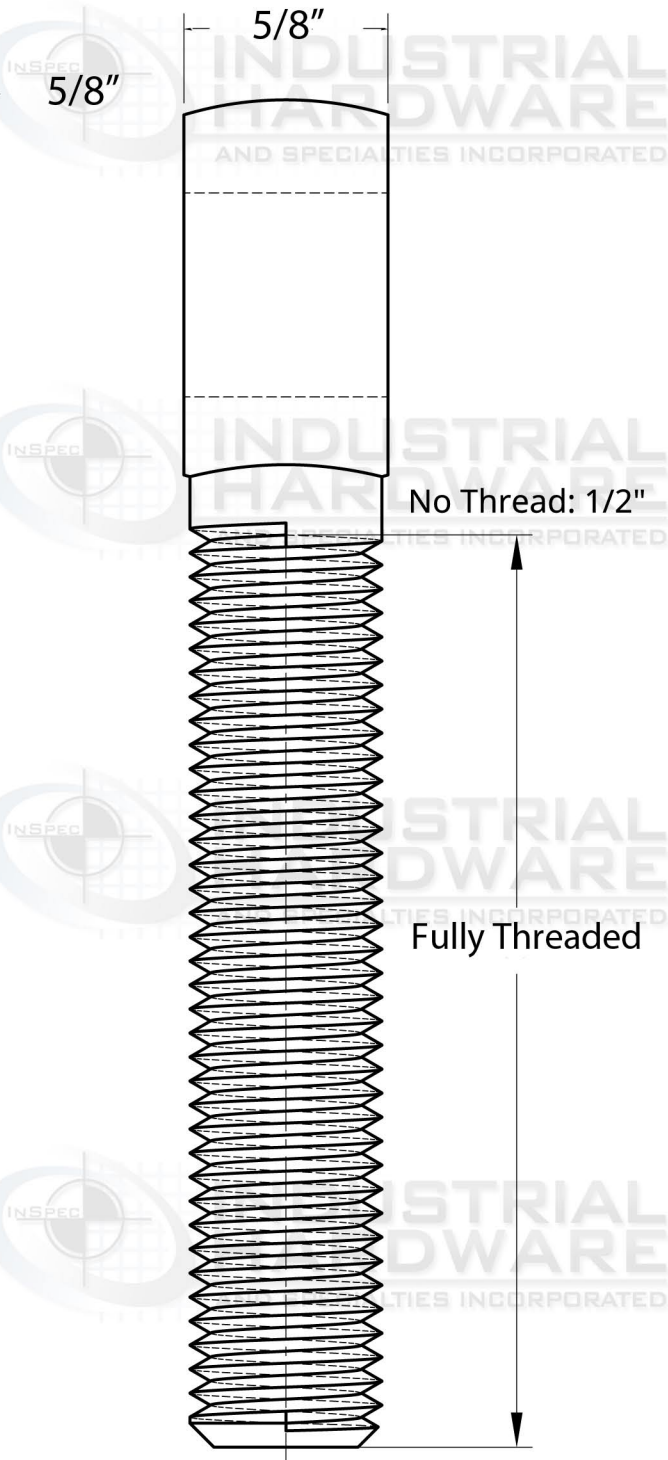
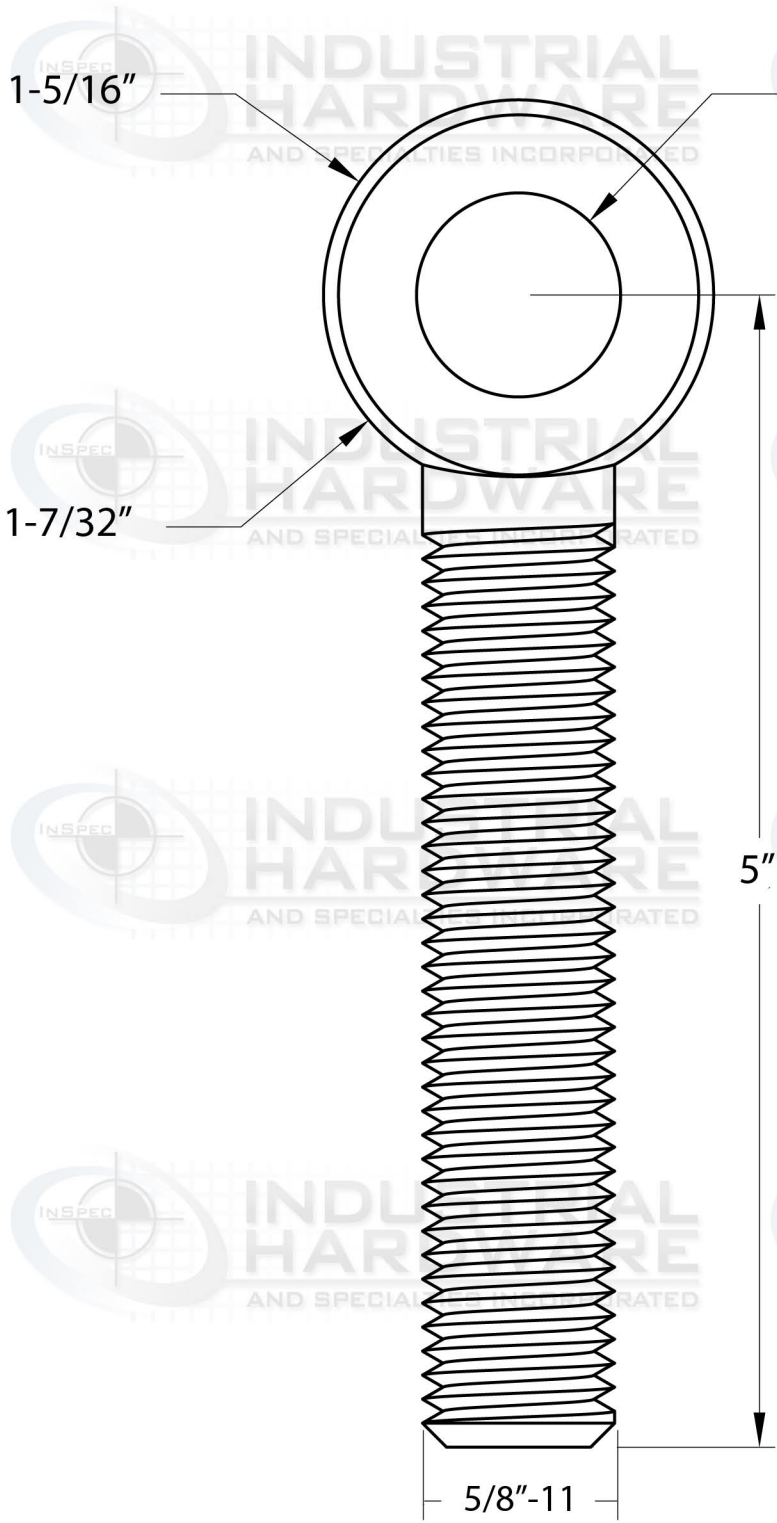



2

1



SCALE 1:1

SCALE 1:1

UNLESS OTHERWISE SPECIFIED, DIMENSIONS ARE IN INCHES .XX = ±.0- .XXX = ±.00- .XXXX = ±.000- SURFACE FINISH <input checked="" type="checkbox"/> DO NOT SCALE DRAWING BREAK ALL SHARP EDGES AND REMOVE BURRS THIRD ANGLE PROJECTION		NAME	DATE	 INDUSTRIAL HARDWARE & SPECIALTIES, INC. 17-B KENTUCKY AVE PATERSON NJ 07503 973-684-4010   INDUSTRIALHARDWARE.COM	
	DRAWN	SANE FRIEND	07/22/2020		TITLE
	CHECKED				
	APPROVED				
	MATERIAL	FINISH	SIZE	DWG NO.	
	Carbon Steel C1030/1035	Black Oxide	A	59A-6C-MACH	
			SCALE	WEIGHT	
			1:4	0.48	
			SHEET	1 of 1	

2

1