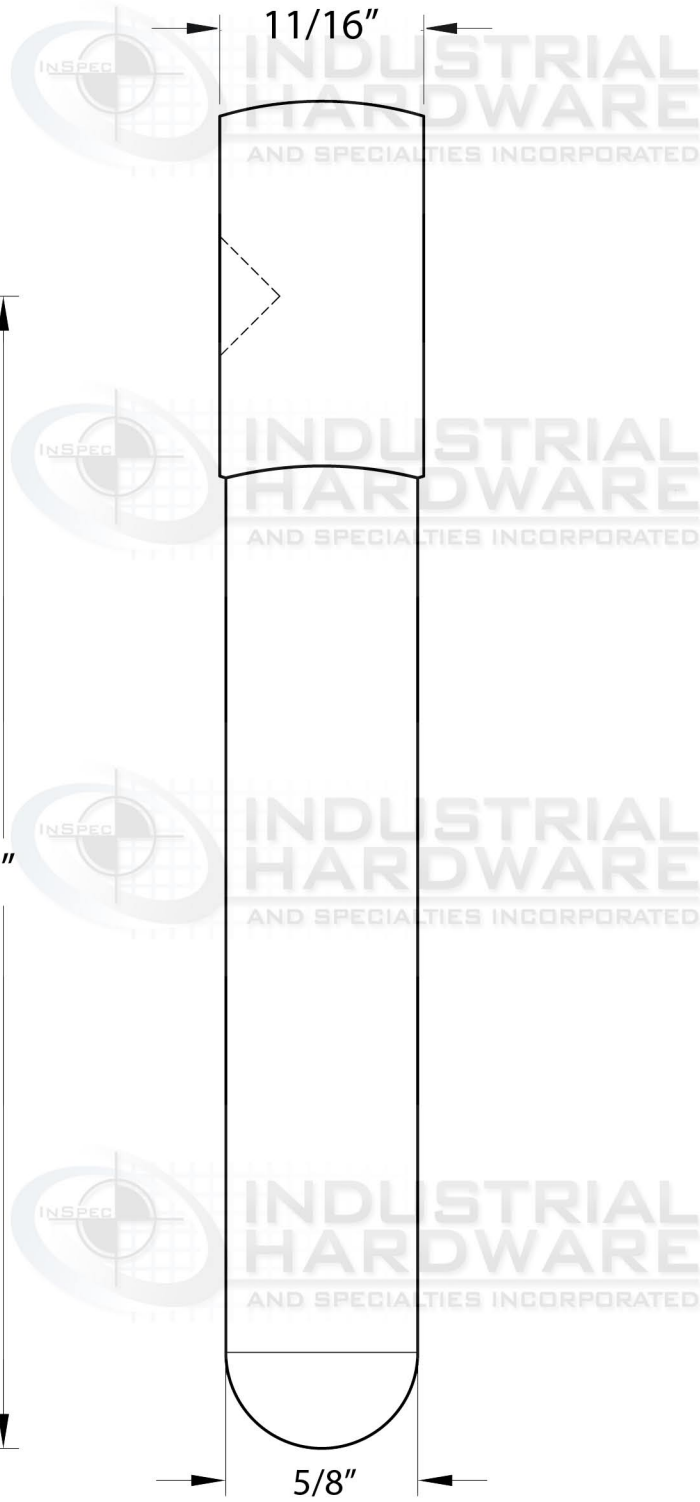
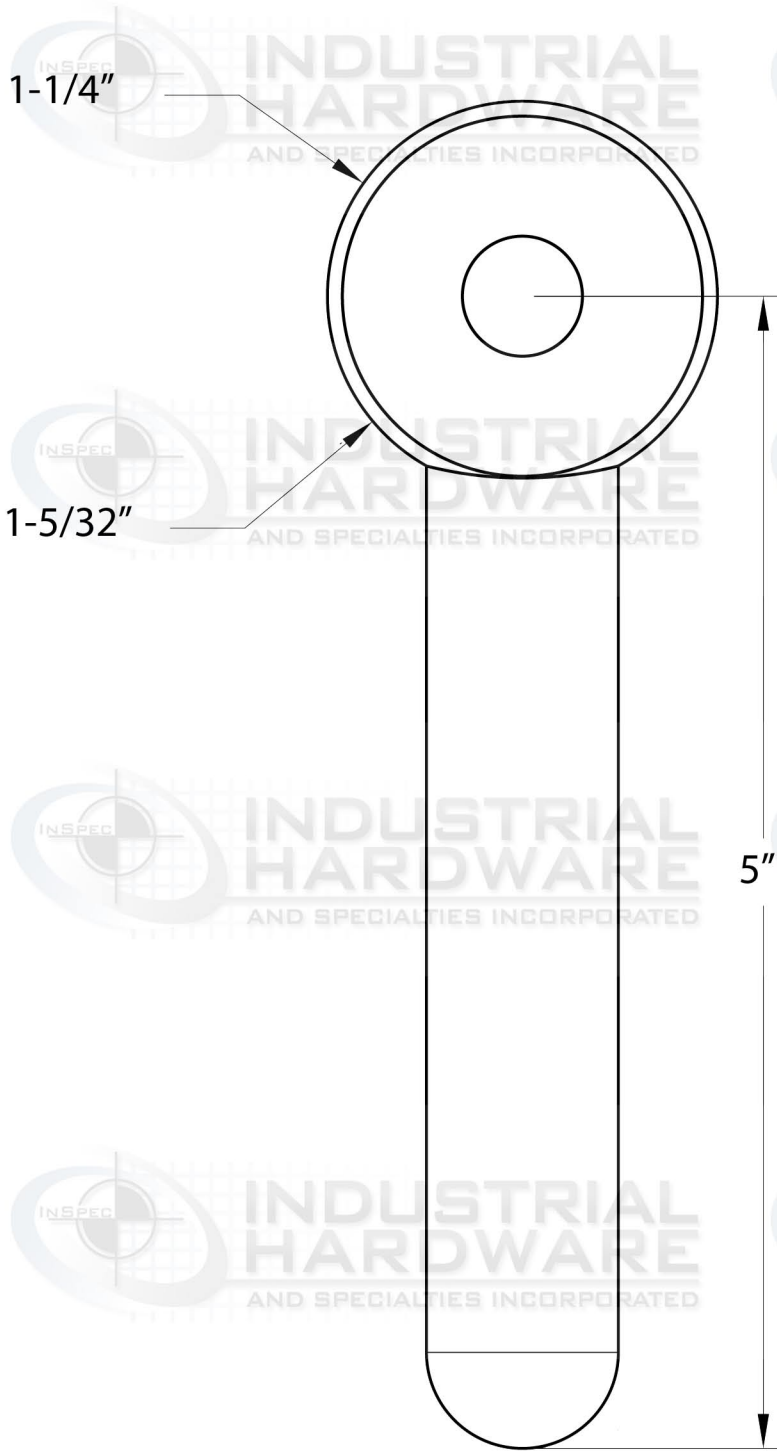


2

1



B

B

A

A

SCALE 1:1

SCALE 1:1

UNLESS OTHERWISE SPECIFIED,
DIMENSIONS ARE IN INCHES

.XX = ±.0-
.XXX = ±.00-
.XXXX = ±.000-

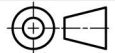
ANGULAR = ±°
FRACTIONAL = ±

SURFACE FINISH

DO NOT SCALE DRAWING

BREAK ALL SHARP EDGES AND
REMOVE BURRS

THIRD ANGLE PROJECTION



NAME	DATE
DRAWN SANE FRIEND	07/22/2020
CHECKED	
APPROVED	
MATERIAL Carbon Steel C1030/1035	
FINISH Self-Colored	

INDUSTRIAL HARDWARE & SPECIALTIES, INC. 17-B KENTUCKY AVE PATERSON NJ 07503 973-684-4010 INDUSTRIALHARDWARE.COM	
TITLE	
SIZE A	DWG NO. 59A-6C
SCALE 1:4	WEIGHT 0.62
SHEET 1 of 1	REV.

2

1