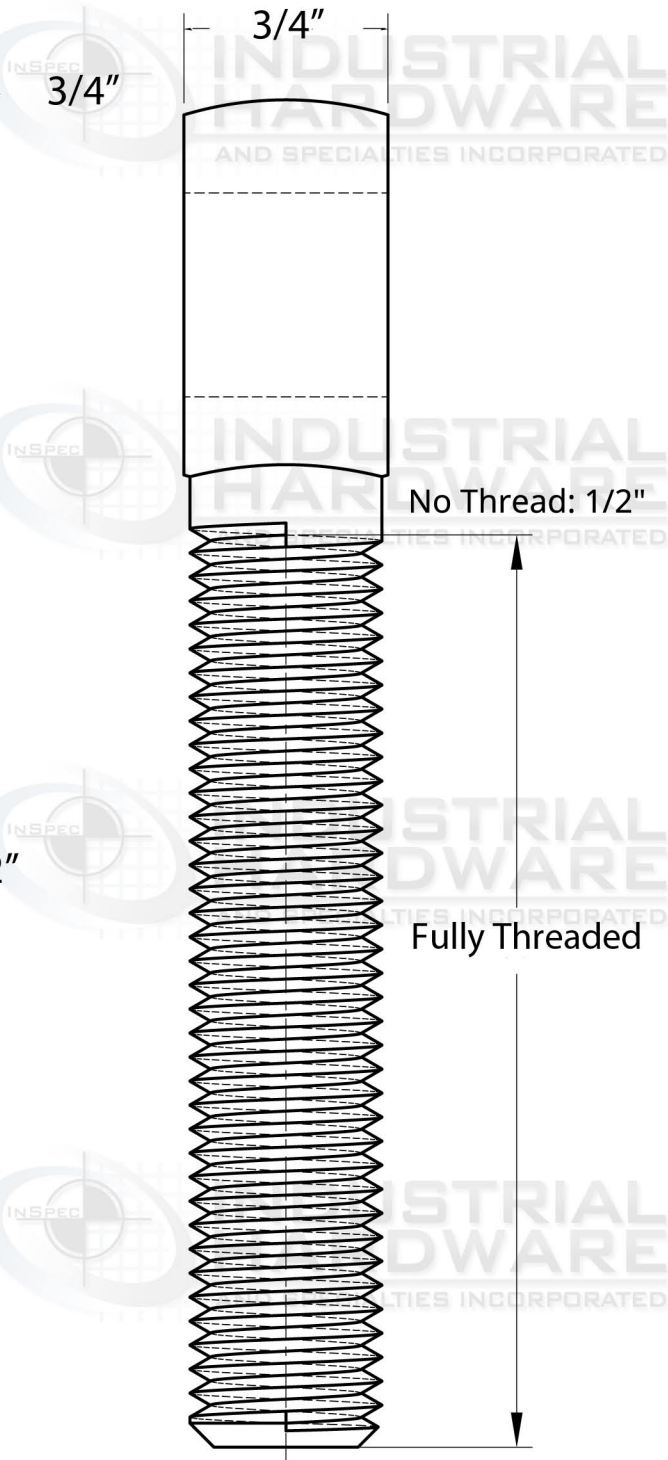
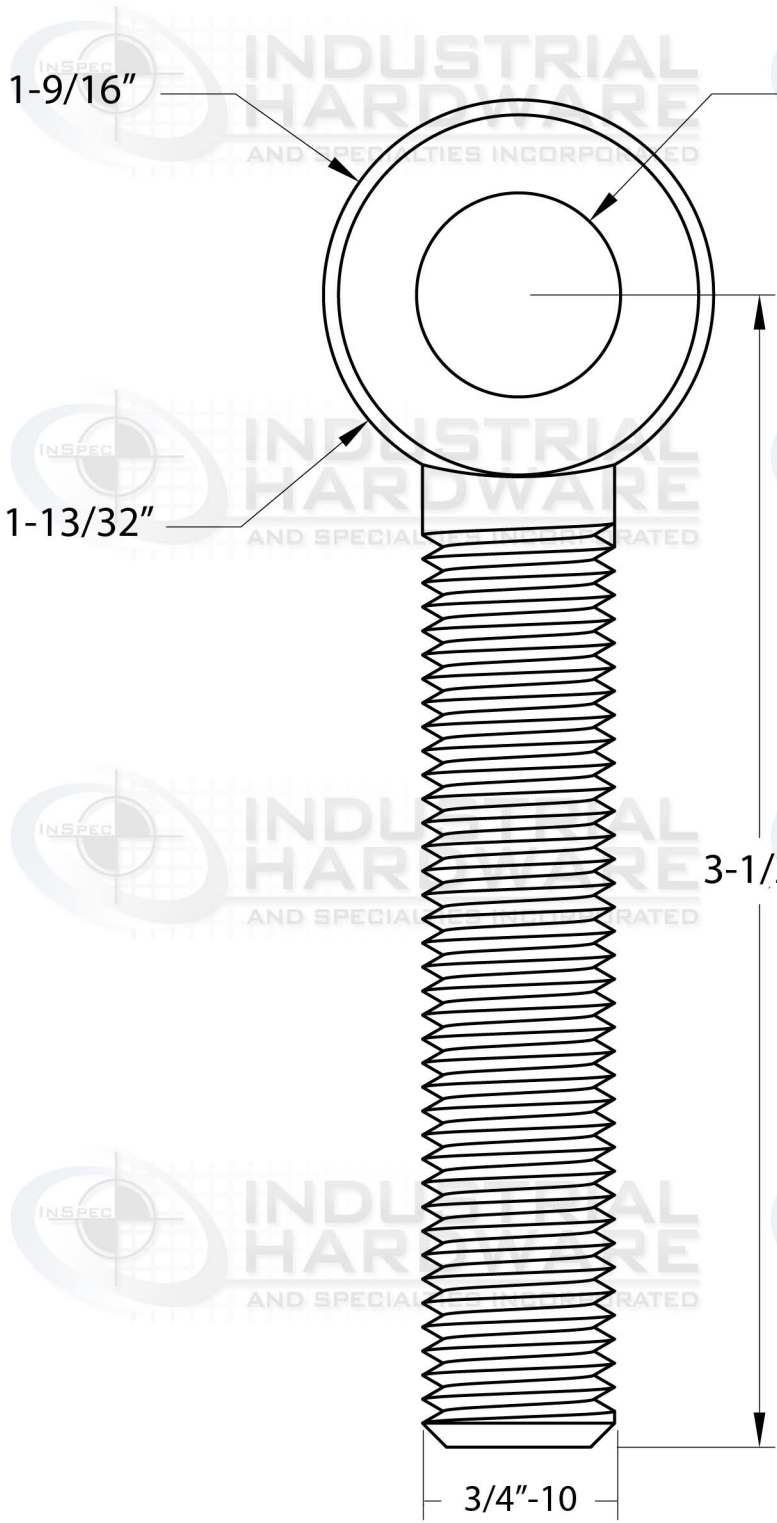



2

1



SCALE 1:1

SCALE 1:1

UNLESS OTHERWISE SPECIFIED, DIMENSIONS ARE IN INCHES .XX = ±.0- .XXX = ±.00- .XXXX = ±.000- SURFACE FINISH <input checked="" type="checkbox"/>	DRAWN	SANE FRIEND	DATE	07/22/2020	 INDUSTRIAL HARDWARE & SPECIALTIES, INC. 17-B KENTUCKY AVE PATERSON NJ 07503 973-684-4010 INDUSTRIALHARDWARE.COM					
	CHECKED		TITLE							
	APPROVED		SIZE	A						
	DO NOT SCALE DRAWING		DWG NO.	59A-7A-MACH						
BREAK ALL SHARP EDGES AND REMOVE BURRS	MATERIAL	Carbon Steel	FINISH	Black Oxide	REV.					
THIRD ANGLE PROJECTION	C1030/1035				SCALE	1:4	WEIGHT	0.56	SHEET	1 of 1

2

1