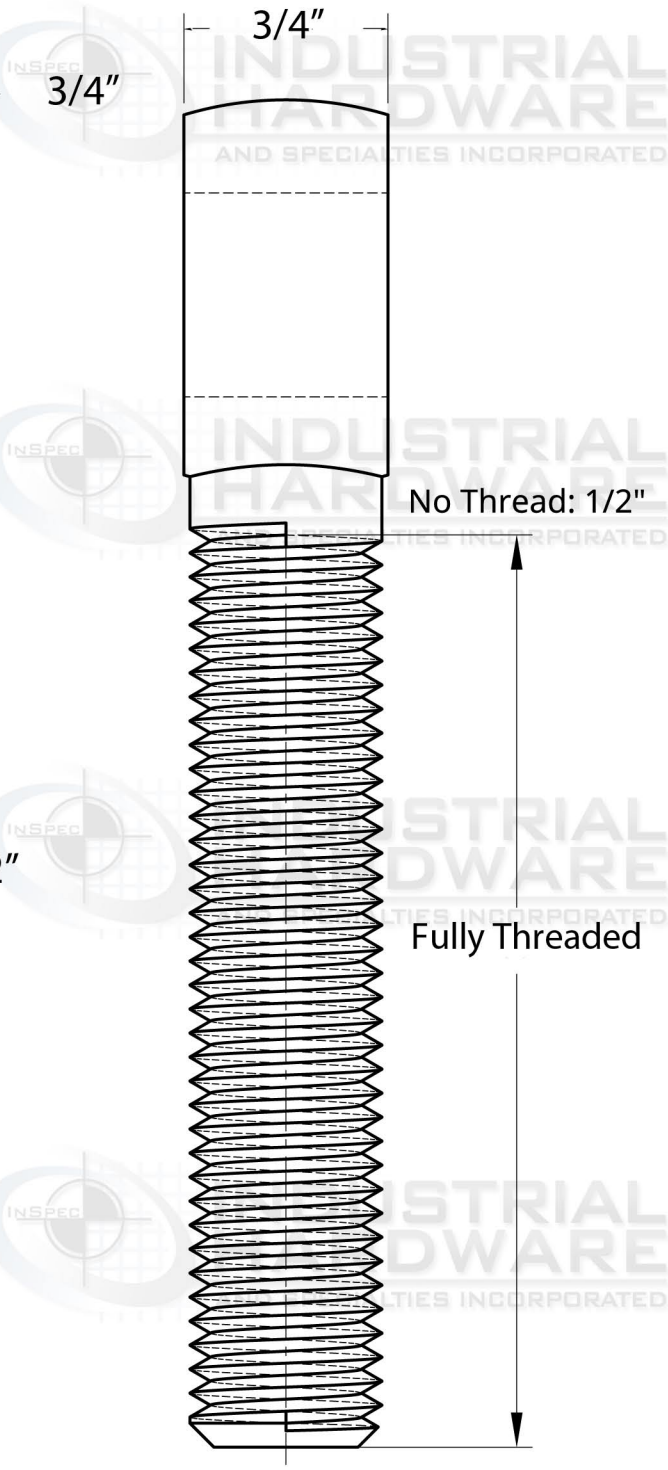
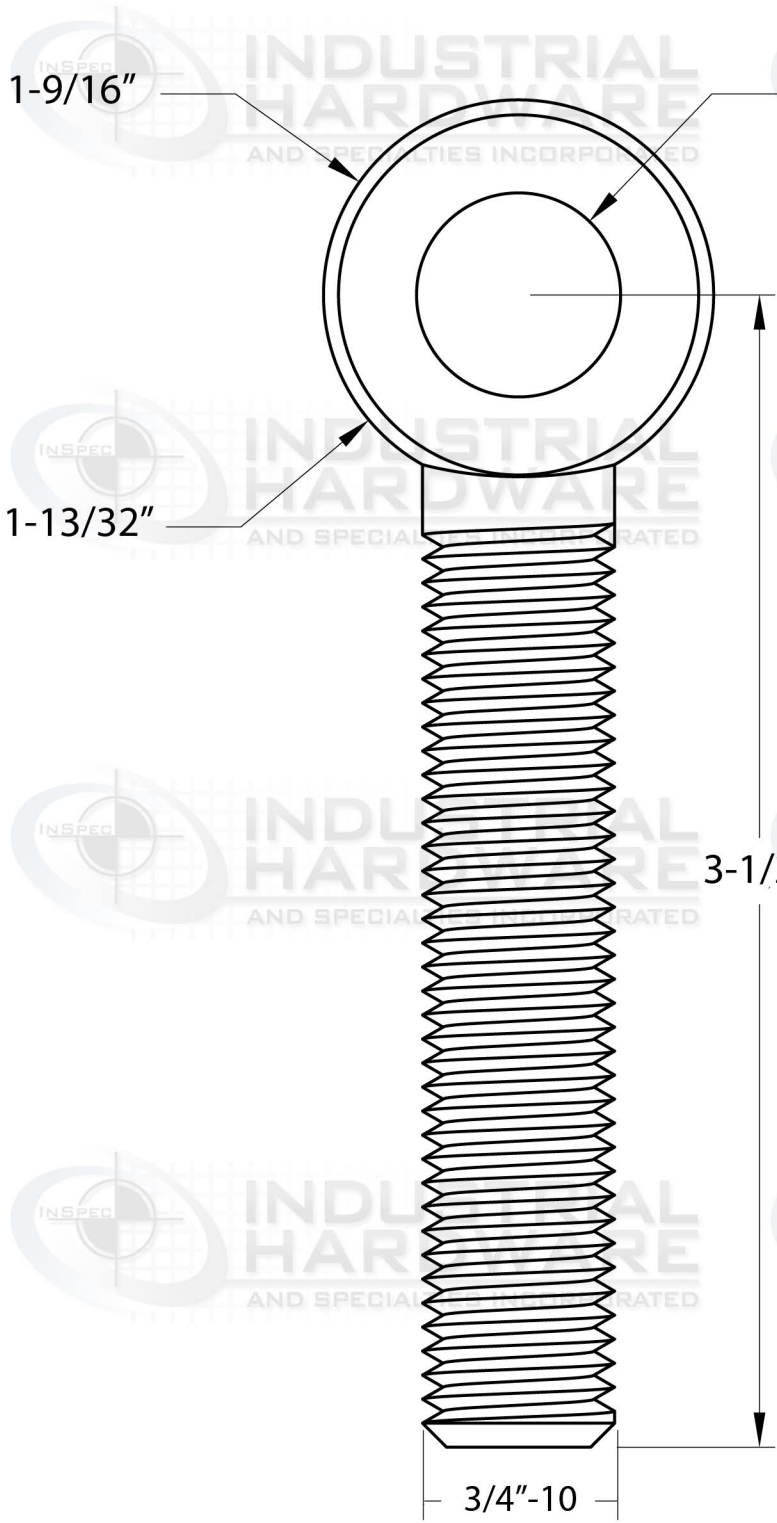


2

1



SCALE 1:1

SCALE 1:1

UNLESS OTHERWISE SPECIFIED,  
DIMENSIONS ARE IN INCHES  
.XX = ±.0-  
.XXX = ±.00-  
.XXXX = ±.000-  
SURFACE FINISH ✓  
DO NOT SCALE DRAWING  
BREAK ALL SHARP EDGES AND  
REMOVE BURRS  
THIRD ANGLE PROJECTION

NAME	DATE
DRAWN SANE FRIEND	07/22/2020
CHECKED	
APPROVED	

INDUSTRIAL HARDWARE & SPECIALTIES, INC.  
17-B KENTUCKY AVE PATERSON NJ 07503  
973-684-4010 | INDUSTRIALHARDWARE.COM

MATERIAL Stainless Steel Type 304	FINISH Self-Colored
---	------------------------

TITLE	SIZE A	DWG NO. 59A-7A-SSMACH	REV.
SCALE 1:4	WEIGHT 0.57	SHEET 1 of 1	

2

1