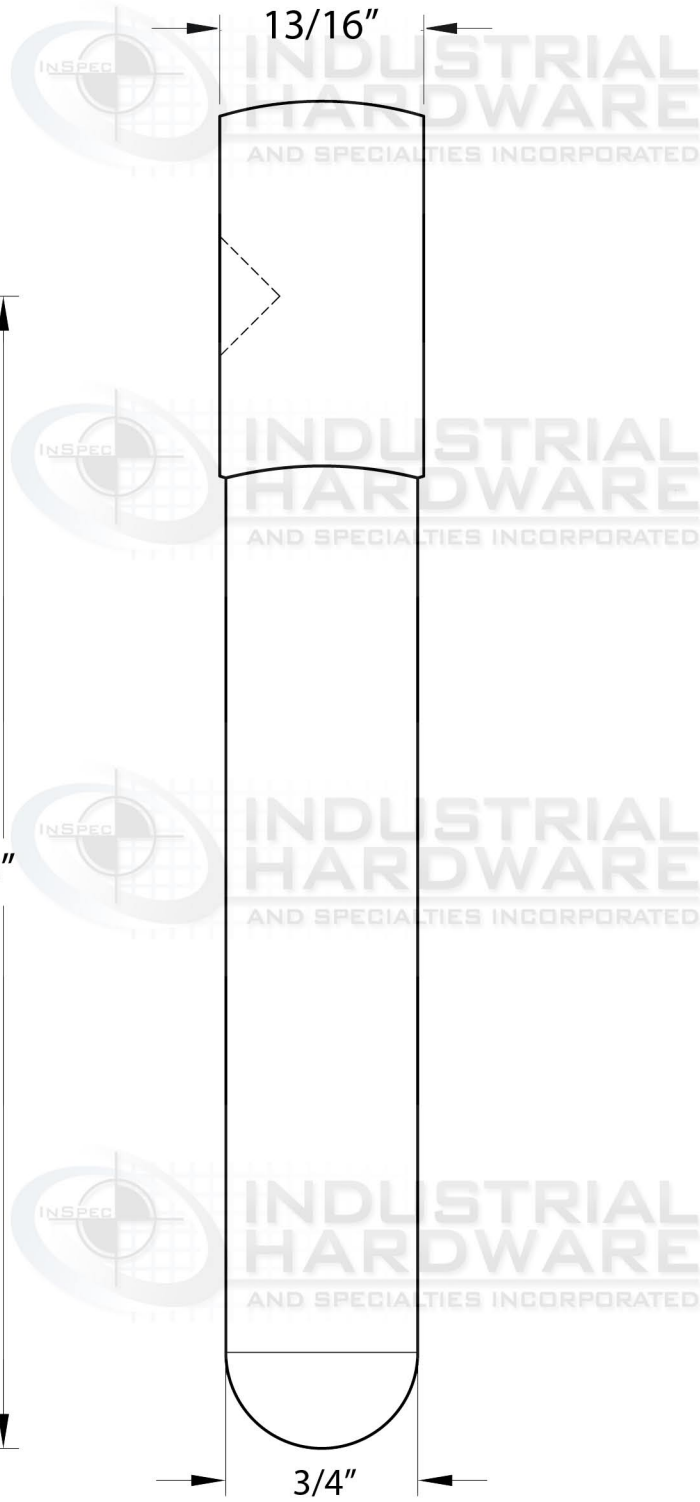
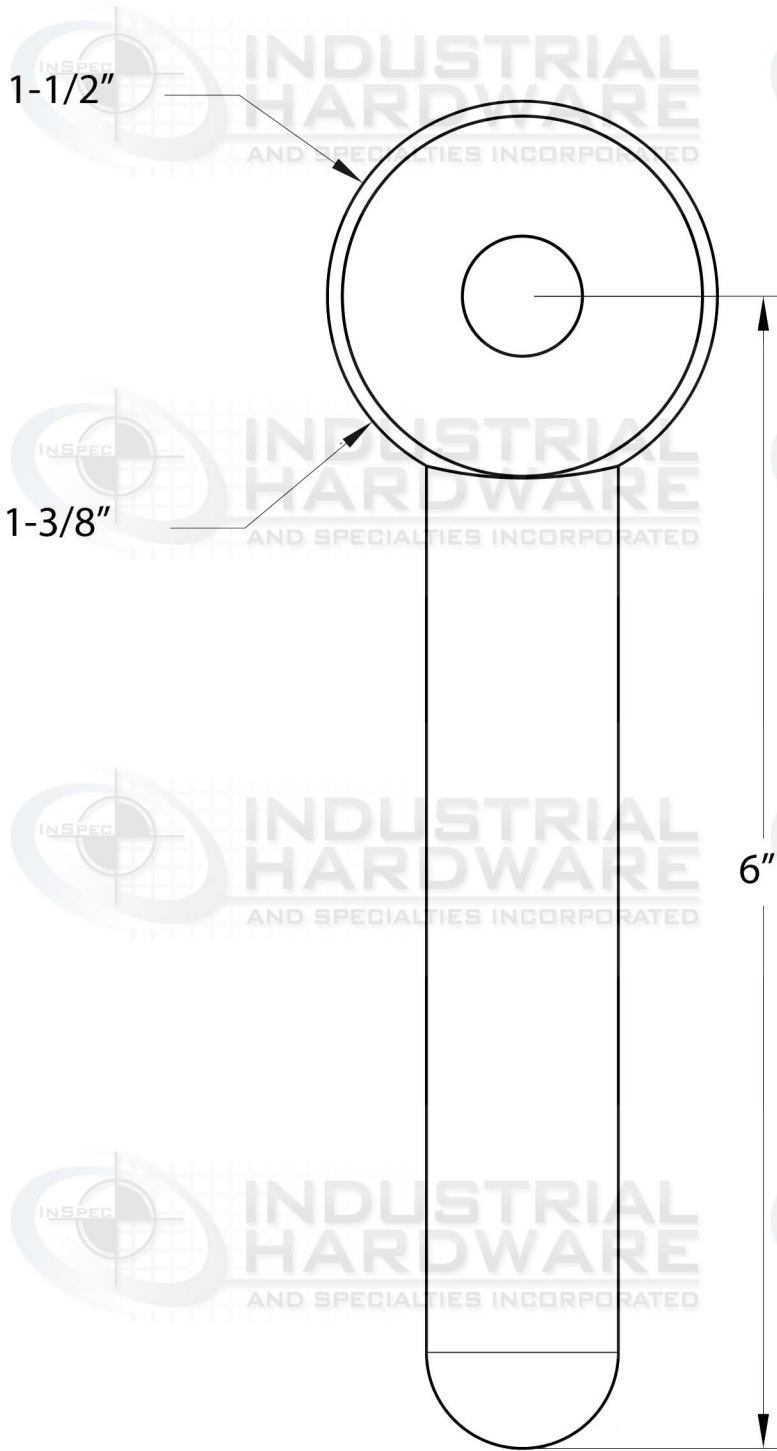


2

1



B

B

A

A

SCALE 1:1

SCALE 1:1

UNLESS OTHERWISE SPECIFIED,
DIMENSIONS ARE IN INCHES

.XX = ±.0-
.XXX = ±.00-
.XXXX = ±.000-

ANGULAR = ±°
FRACTIONAL = ±

SURFACE FINISH

DO NOT SCALE DRAWING

BREAK ALL SHARP EDGES AND
REMOVE BURRS

THIRD ANGLE PROJECTION

	NAME	DATE
DRAWN	SANE FRIEND	07/22/2020
CHECKED		
APPROVED		
MATERIAL		FINISH
Stainless Steel Type 304		Self-Colored

 INDUSTRIAL HARDWARE & SPECIALTIES, INC. 17-B KENTUCKY AVE PATERSON NJ 07503 973-684-4010 INDUSTRIALHARDWARE.COM		
TITLE		
SIZE	DWG NO.	
A	59A-7E-SS	
SCALE	WEIGHT	SHEET
1:4	1.1	1 of 1

2

1