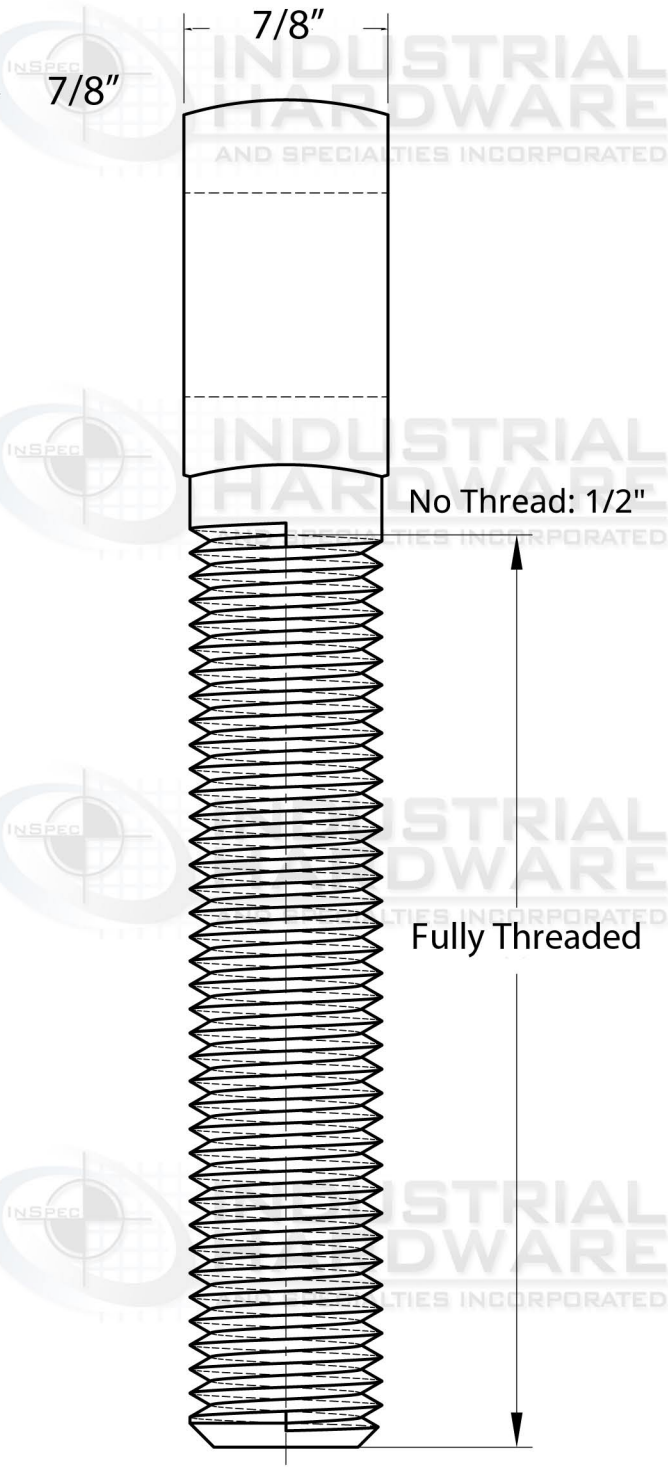
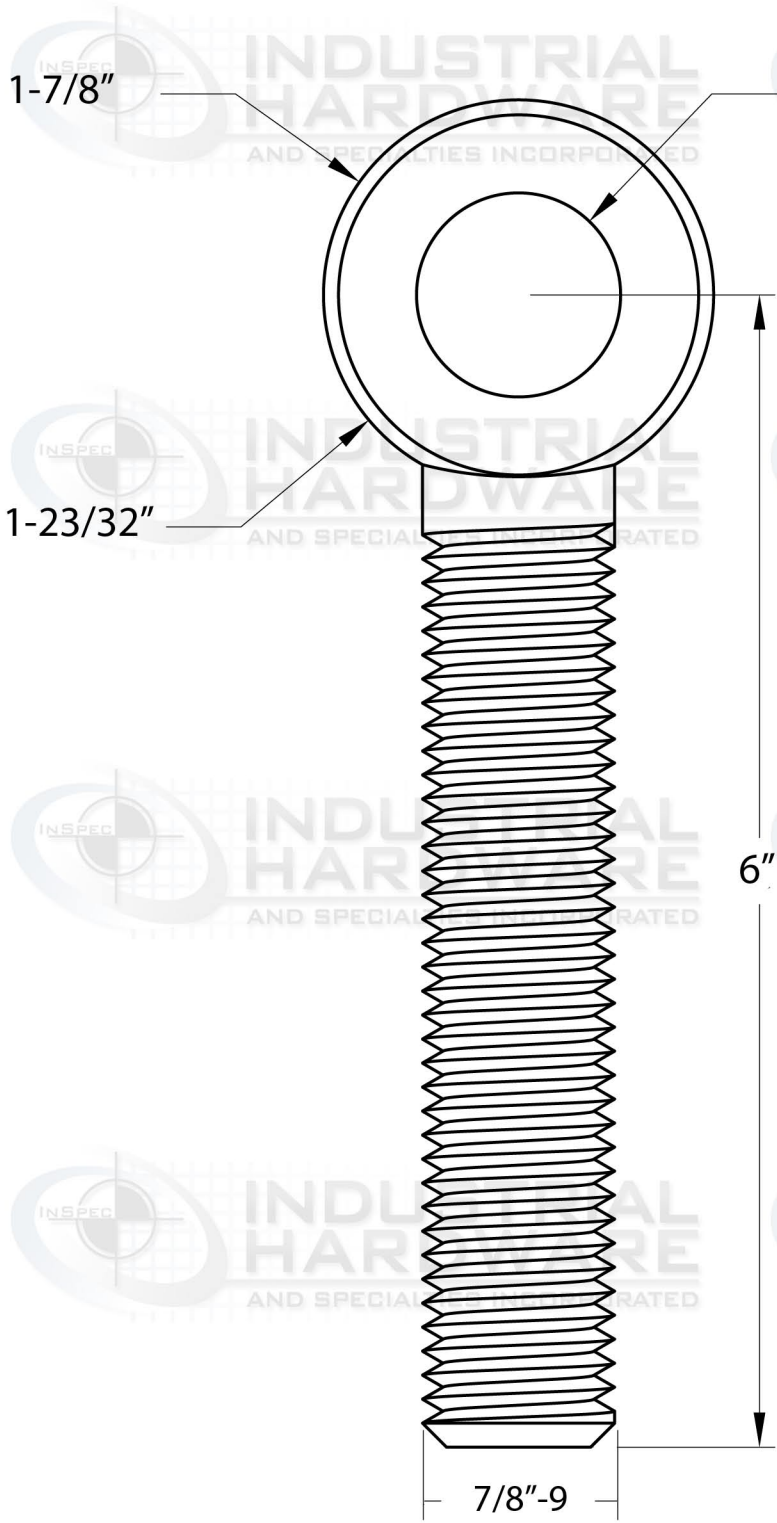


2

1



SCALE 1:1

SCALE 1:1

UNLESS OTHERWISE SPECIFIED, DIMENSIONS ARE IN INCHES .XX = ±.0- .XXX = ±.00- .XXXX = ±.000- SURFACE FINISH ✓ DO NOT SCALE DRAWING BREAK ALL SHARP EDGES AND REMOVE BURRS THIRD ANGLE PROJECTION		NAME DRAWN CHECKED APPROVED	DATE 07/22/2020	INDUSTRIAL HARDWARE & SPECIALTIES, INC. 17-B KENTUCKY AVE PATERSON NJ 07503 973-684-4010 INDUSTRIALHARDWARE.COM
MATERIAL Stainless Steel Type 304		FINISH Self-Colored	TITLE	
SIZE A		DWG NO. 59A-8E-SSMACH		REV.
SCALE 1:4		WEIGHT 1.22	SHEET 1 of 1	

2

1