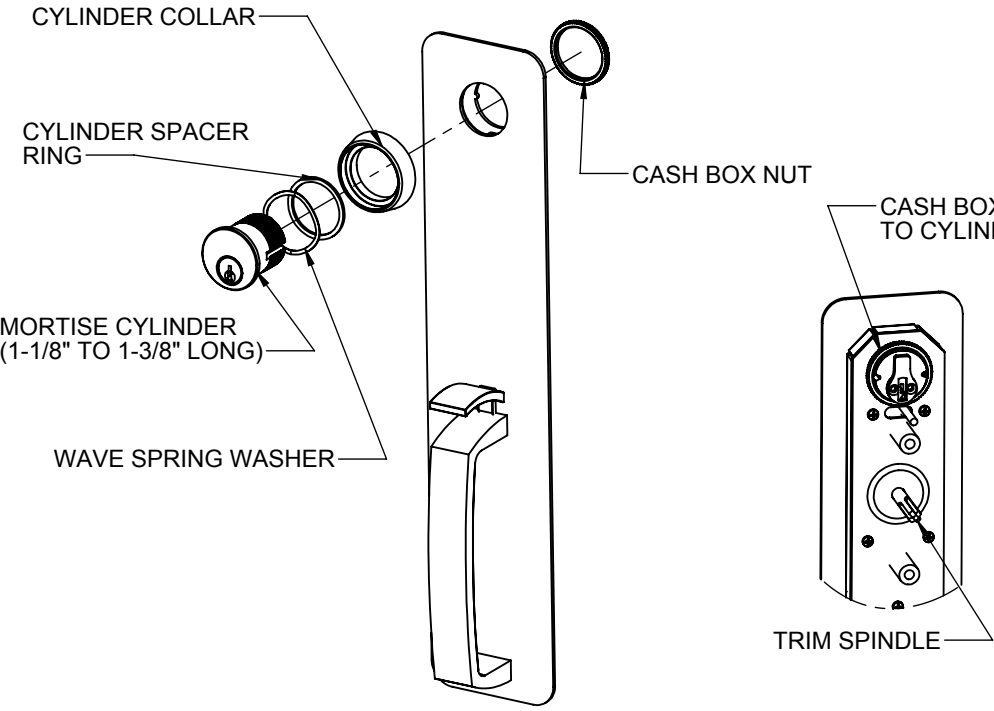


45PT PULL PLATE INSTRUCTIONS FOR USE WITH 4500 RIM SERIES EXIT DEVICES

STEP 1: INSTALL CYLINDER

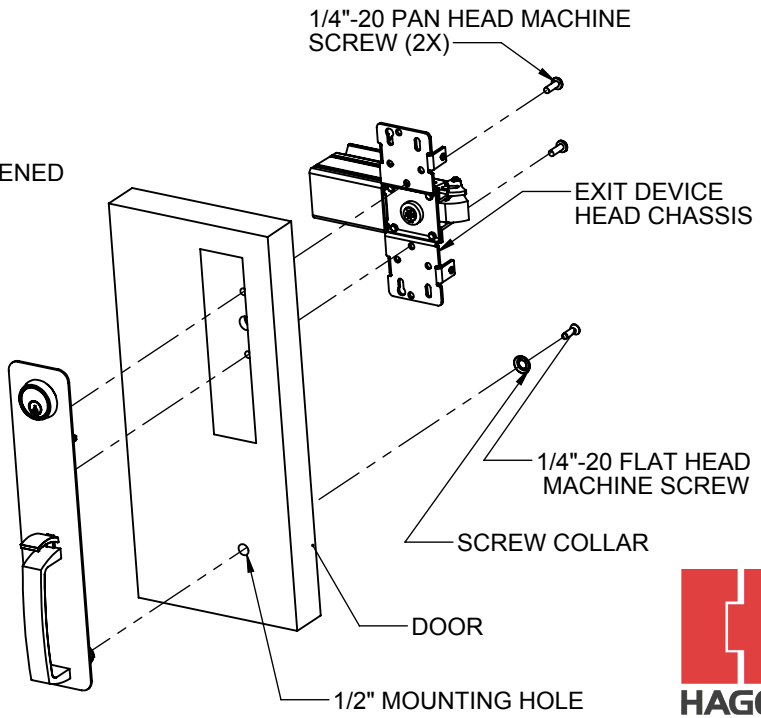
- A. INSTALL MORTISE CYLINDER THROUGH WAVE WASHER, CYLINDER SPACER RING (IF NEEDED) AND COLLAR.
- B. INSERT MORTISE CYLINDER THROUGH HOLE IN PULL PLATE AND INSTALL CASH BOX NUT FROM THE BACKSIDE OF THE PULL PLATE.
- C. TIGHTEN CASH BOX NUT.

NOTE:
DO NOT USE WAVE SPRING WASHER OR CYLINDER SPACER RING WITH 1 1/8" CYLINDERS.

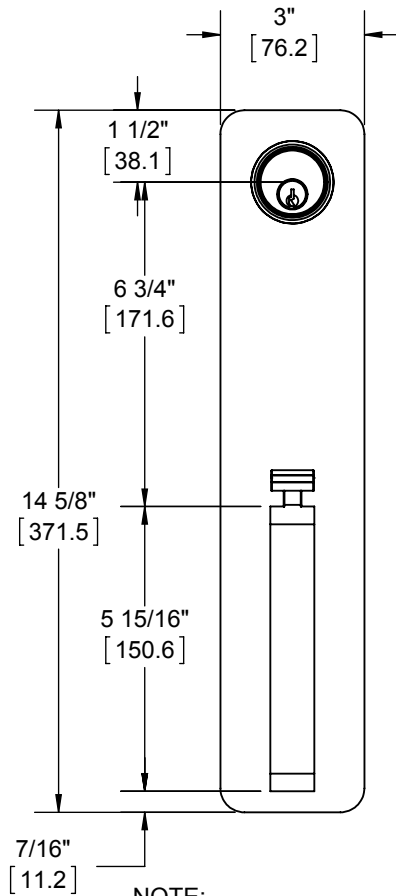


STEP 2: INSTALL PULL PLATE

- A. TRANSFER HORIZONTAL CENTERLINE AND BACKSET CENTERLINE FROM EXIT DEVICE SIDE OF DOOR
- B. USE TEMPLATE TO MARK HOLE AND CUTOUT LOCATIONS. NOTE THAT ONE HOLE AND A RECTANGULAR CUTOUT ARE REQUIRED ON THE PULL SIDE AND FOUR HOLES ARE REQUIRED FROM THE PUSH SIDE
- C. DRILL THE 1/2" MOUNTING HOLE ON THE PULL SIDE OF THE DOOR. FOR WOOD DOORS DRILL THIS HOLE COMPLETELY THROUGH THE THICKNESS OF THE DOOR
- D. CUT OUT THE RECTANGULAR AREA (8 7/16" X 2 1/8") SHOWN IN THE TEMPLATE TO A DEPTH OF 1 3/8" ON THE PULL SIDE OF THE DOOR (DEPTH CRITERIA APPLIES ONLY TO WOOD DOORS).
- E. DRILL OUT THE 5/8" DIAMETER TRIM SPINDLE HOLE ON THE PUSH SIDE OF THE DOOR.
- F. DRILL OUT THE 5/16" DIAMETER HOLES (3) ON THE PUSH SIDE OF THE DOOR. ON A WOOD DOOR ONLY TWO HOLES NEED TO BE DRILLED AS THE BOTTOM HOLE WAS CREATED IN STEP C.
- G. PLACE THE EXIT DEVICE IN ITS PROPER LOCATION.
- H. INSERT PULL PLATE MOUNTING POSTS THROUGH THE DOOR MAKING SURE THE TRIM SPINDLE INSERTS INTO THE EXIT DEVICE.
- I. SECURE THUMB PULL PLATE AND EXIT DEVICE USING THE THREE MOUNTING SCREWS PROVIDED.



45PT PULL PLATE INSTRUCTIONS FOR USE WITH 4500 RIM SERIES EXIT DEVICES



NOTE:
DIMENSIONS IN BRACKETS [] ARE MILLIMETERS.

