



SAFETY POST—EXTENDABLE: LP-4 & LP-5

The LP-4 Safety Post provides a convenient and safe method of climbing off and onto fixed access ladders.

Installation: The LP-4 Safety Post comes pre-assembled and attaches directly to the top two rungs (square or round) with two U-shaped bolts.

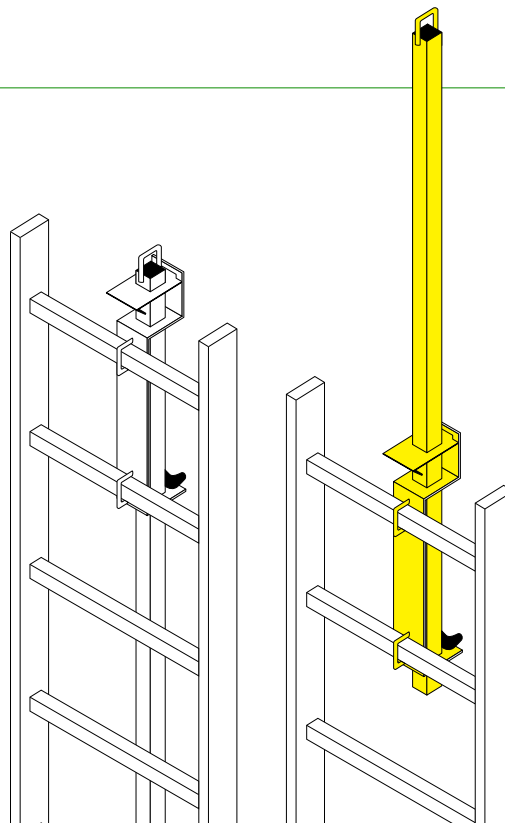
Ease of Use: When at the top of the ladder, extend the safety post. The spring coil allows user to lift with just one hand. Step on or off the ladder in a safe standing position while holding onto the post. A latch maintains the post at variable heights and is easily released for retracting the post.

Safety Features: Square posts for a no-slip grip. We recommend a Saf-T-Hatch rail system in addition to the LP-6 Safety Post for greater safety.

Weight: 25 lbs

Finish LP4: Safety Yellow Powder Coat

Finish LP5: Hot-Dip Galvanized



EZ-UP LP-6 LADDER POST

The EZ-up LP-6 Ladder Post provides easy and safe access through a roof hatch. The assembly permanently mounts to the roof hatch and acts as an extension to the ladder to enable users to safely enter and exit a roof access hatch.

Installation: Mounts to top of curb with six self-tapping screws.

Ease of Use: After the user opens the roof hatch, the post is raised with one hand and self-locks into an upright position. The user can then climb from the ladder the rooftop using the post for a handhold. The post can easily be folded down into the stowed position.

Safety Features: Allows the roof hatch to be closed while user is on the roof. We recommend a Saf-T-Hatch rail system in addition to the LP-6 Safety Post for greater safety.

Weight: 8 lbs

Finish : Safety Yellow Powder Coat

