



ROOF HATCHES



KARP ASSOCIATES, INC.
 54-54 43rd Street, Maspeth, NY 11378
 (718) 784-2105 - Phone
 (718) 784-9169 - Fax

DATE

STANDARD SIZES

DOOR SIZE L X W (IN.)	SHIPPING WT. (LBS.)	
	KRHG	KRHA
2' x 3'	135.0	70.0
2'6 x 3'	155.0	85.0
2'6 x 4'6	225.0	135.0
2'6 x 8'	335.0	245.0

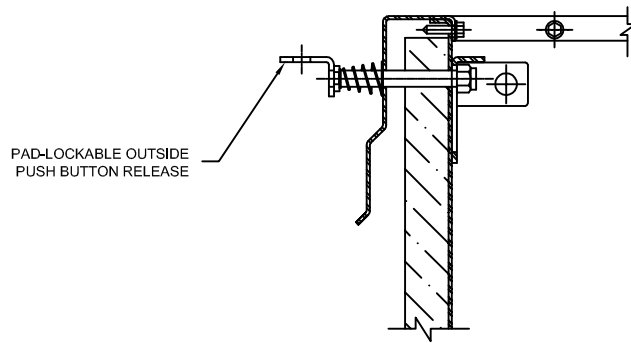
SPECIFICATIONS

GENERAL SCOPE:

Access doors shall be Karp Roof Hatches as manufactured by Karp Associates, Inc., Maspeth, N.Y. Sizes shall be as indicated on the drawings.

CONSTRUCTION:

1. Curb: 14 gage galvanized steel or .125 aluminum, 12" high, integral counterflashing, 4" wide mounting flanges with pre-drilled holes, and 1" fiberboard insulation on the exterior with metal corner guards.
2. Cover: 14 gage galvanized steel or .125 aluminum with 22 gage galvanized liner. Cover open with push button lock release.
3. Cover operation shall be assisted by fully enclosed compression spring operators.
4. Cover shall be mounted on steel butt hinges with brass pin and be complete with closed cell foam rubber weather seal, automatic hold open arm with red vinyl grip, and latching devices having inside and outside padlock hasp.
5. All hardware shall be zinc or cadmium plated.
6. Finish shall be prime coat of rust inhibitive baked grey enamel.



VIEW "A"

