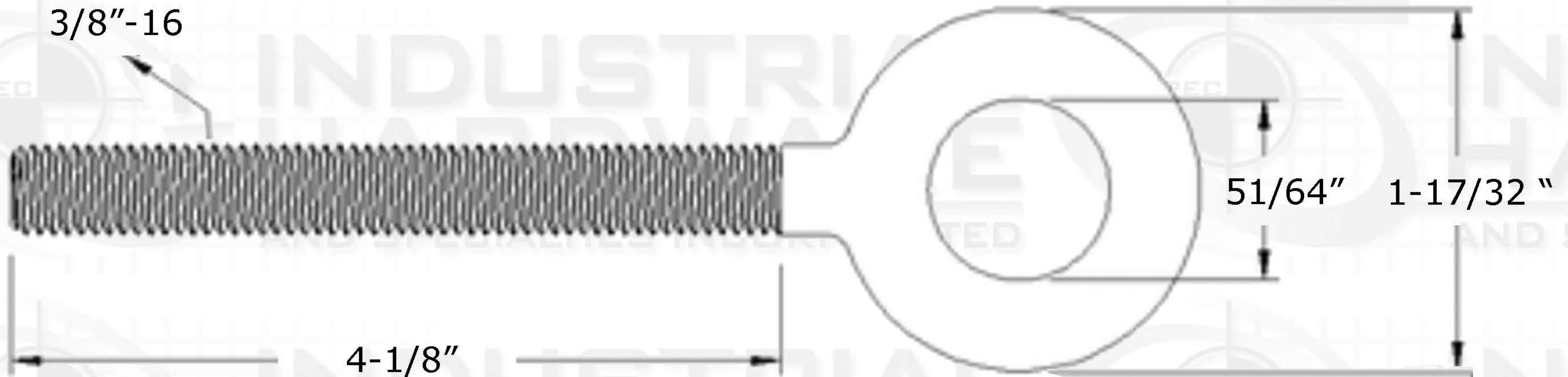


		REVISIONS			
ZONE	REV.	DESCRIPTION		DATE	APPROVED

**INDUSTRIAL  
HARDWARE**  
AND SPECIALTIES INCORPORATED



**PROPRIETARY AND CONFIDENTIAL**

THIS DRAWING AND IT'S CONTENT IS THE SOLE PROPERTY OF INDUSTRIAL HARDWARE & SPECIALTIES,INC.. ANY REPRODUCTION IN PART OR AS A WHOLE WITHOUT THE WRITTEN PERMISSION OF INDUSTRIAL HARDWARE & SPECIALTIES,INC. IS STRICTLY PROHIBITED.

		THREAD CLASS: UNC-2A	
		ACRONYM: UNC	
		ROTATION: Left-Hand	
		MATERIAL FINISH	
		Carbon Steel	
		PART NUMBER	
		59A-TBE-03-LH	
NEXT ASSY	USED ON		
APPLICATION		DO NOT SCALE DRAWING	

	NAME	DATE
DRAWN		
CHECKED		
ENG APPR.		
MFG APPR.		
Q.A.		
COMMENTS:		



**17-B KENTUCKY AVENUE  
PATERSON, NEW JERSEY 07503  
TEL: 973-684-4010 FAX: 973-684-3095  
email: TechSupport@industrialhardware.com  
www.industrialhardware.com**

SIZE	DWG. NO.	REV.
<b>A</b>		
SCALE: 1:8	WEIGHT: 0.21	SHEET 1 OF 1