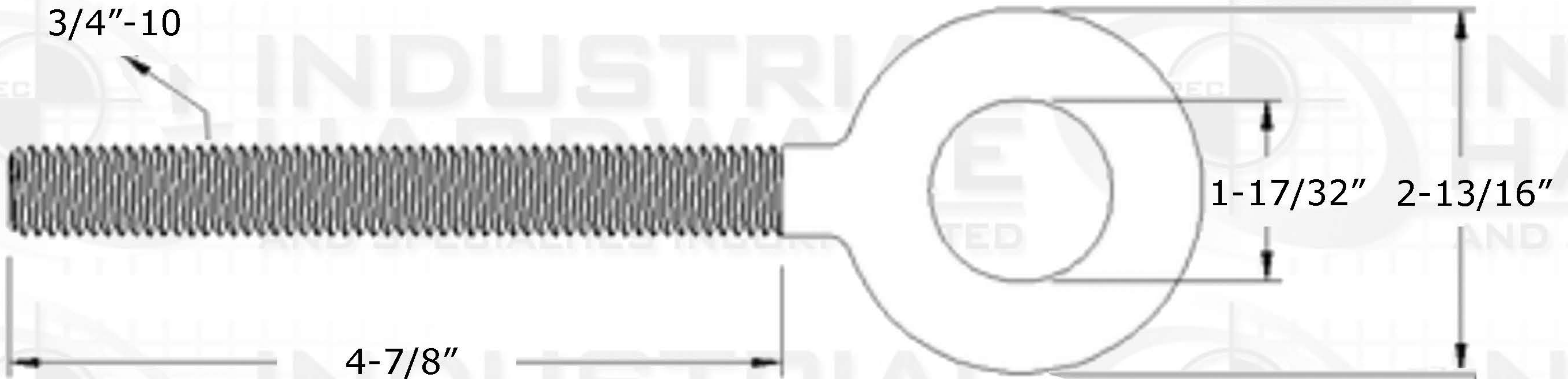


REVISIONS		DATE	APPROVED
ZONE	REV.	DESCRIPTION	

**INDUSTRIAL
HARDWARE**
AND SPECIALTIES INCORPORATED

**INDUSTRIAL
HARDWARE**
AND SPECIALTIES INCORPORATED



PROPRIETARY AND CONFIDENTIAL

THIS DRAWING AND IT'S CONTENT IS THE SOLE PROPERTY OF INDUSTRIAL HARDWARE & SPECIALTIES,INC.. ANY REPRODUCTION IN PART OR AS A WHOLE WITHOUT THE WRITTEN PERMISSION OF INDUSTRIAL HARDWARE & SPECIALTIES,INC. IS STRICTLY PROHIBITED.

				NAME	DATE
				DRAWN	
				CHECKED	
				ENG APPR.	
				MFG APPR.	
				Q.A.	
				COMMENTS:	
NEXT ASSY	USED ON				
APPLICATION					

THREAD CLASS: UNC-2A before galv.
ACRONYM: UNC
ROTATION: Right-Hand
MATERIAL FINISH
Hot Dip Galvanized Steel
PART NUMBER
59A-TBE-08-RH-HDG

DO NOT SCALE DRAWING



**17-B KENTUCKY AVENUE
PATERSON, NEW JERSEY 07503
TEL: 973-684-4010 FAX: 973-684-3095
email: TechSupport@industrialhardware.com
www.industrialhardware.com**

SIZE	DWG. NO.	REV.
A		
SCALE: 1:8	WEIGHT: 1.12	SHEET 1 OF 1