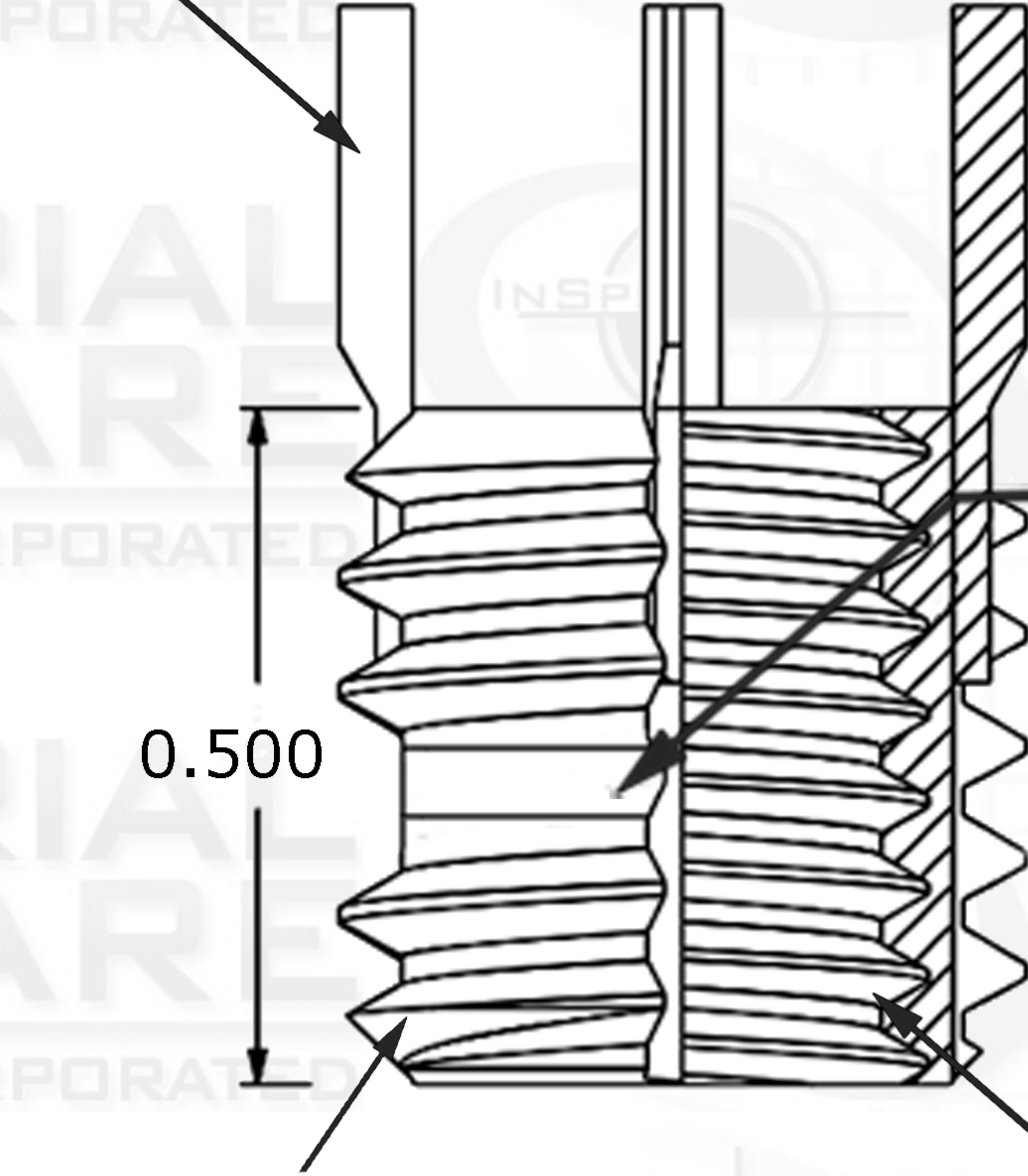


# Key-Locking Internal Locking

| REVISIONS |      | DATE        | APPROVED |
|-----------|------|-------------|----------|
| ZONE      | REV. | DESCRIPTION |          |
|           |      |             |          |
|           |      |             |          |



Key



Swaged in Groove to Produce Internal Thread Lock

0.500

External Thread Pitch

1/2-13

Internal Thread Pitch

3/8-16

Suggested Drill Bit Size



0.4532 (29/64)

## PROPRIETARY AND CONFIDENTIAL

THIS DRAWING AND IT'S CONTENT IS THE SOLE PROPERTY OF INDUSTRIAL HARDWARE & SPECIALTIES,INC.. ANY REPRODUCTION IN PART OR AS A WHOLE WITHOUT THE WRITTEN PERMISSION OF INDUSTRIAL HARDWARE & SPECIALTIES,INC. IS STRICTLY PROHIBITED.

|             |         |                          |  |           |      |
|-------------|---------|--------------------------|--|-----------|------|
|             |         | <b>Internal</b>          |  | NAME      | DATE |
|             |         | TH. STANDARD : ANSI/ASME |  | DRAWN     |      |
|             |         | ACRONYM: UNC             |  | CHECKED   |      |
|             |         | ROTATION: Right-Hand     |  | ENG APPR. |      |
|             |         | <b>External</b>          |  | MFG APPR. |      |
|             |         | TH. STANDARD : ANSI/ASME |  | Q.A.      |      |
|             |         | ACRONYM: UNC             |  |           |      |
|             |         | ROTATION: Right-Hand     |  |           |      |
|             |         | MATERIAL FINISH          |  |           |      |
|             |         | Alloy Steel Type 4140    |  | COMMENTS: |      |
| NEXT ASSY   | USED ON | PART NUMBER              |  |           |      |
|             |         | 35L8C-352G-37-0A         |  |           |      |
| APPLICATION |         | DO NOT SCALE DRAWING     |  |           |      |



**INDUSTRIAL HARDWARE**  
AND SPECIALTIES INCORPORATED  
17-B KENTUCKY AVENUE  
PATERSON, NEW JERSEY 07503  
TEL: 973-684-4010 FAX: 973-684-3095  
email: TechSupport@industrialhardware.com  
www.industrialhardware.com

|           |          |              |
|-----------|----------|--------------|
| SIZE      | DWG. NO. | REV.         |
| <b>A</b>  |          |              |
| SCALE:1:8 | WEIGHT:  | SHEET 1 OF 1 |