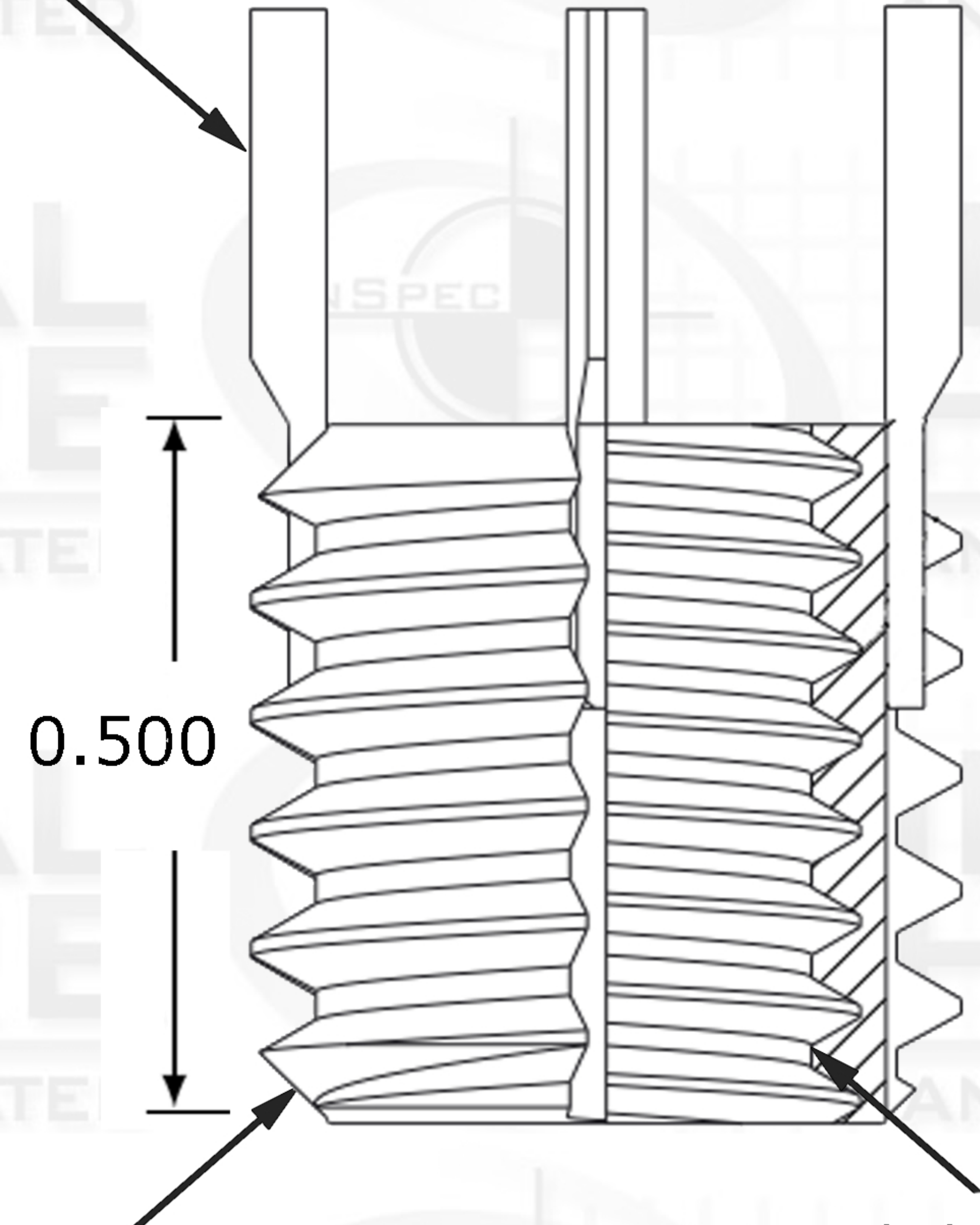


# Key-Locking Non-Locking

| REVISIONS |      | DATE        | APPROVED |
|-----------|------|-------------|----------|
| ZONE      | REV. | DESCRIPTION |          |
|           |      |             |          |
|           |      |             |          |



Key



0.500

External Thread Pitch  
9/16-12

Internal Thread Pitch  
3/8-24

Suggested Drill Bit Size



0.5157 (33/64)

## PROPRIETARY AND CONFIDENTIAL

THIS DRAWING AND IT'S CONTENT IS THE SOLE PROPERTY OF INDUSTRIAL HARDWARE & SPECIALTIES,INC.. ANY REPRODUCTION IN PART OR AS A WHOLE WITHOUT THE WRITTEN PERMISSION OF INDUSTRIAL HARDWARE & SPECIALTIES,INC. IS STRICTLY PROHIBITED.

|             |         |                         |           |      |
|-------------|---------|-------------------------|-----------|------|
|             |         | <b>Internal</b>         | NAME      | DATE |
|             |         | TH. STANDARD: ANSI/ASME | DRAWN     |      |
|             |         | ACRONYM: UNF            | CHECKED   |      |
|             |         | ROTATION: Right-Hand    | ENG APPR. |      |
|             |         | <b>External</b>         | MFG APPR. |      |
|             |         | TH. STANDARD: ANSI/ASME | Q.A.      |      |
|             |         | ACRONYM: UNC            |           |      |
|             |         | ROTATION: Right-Hand    |           |      |
|             |         | MATERIAL FINISH         | COMMENTS: |      |
|             |         | Alloy Steel Type 4140   |           |      |
| NEXT ASSY   | USED ON | PART NUMBER             |           |      |
|             |         | 35L8C-36HY-37-0A        |           |      |
| APPLICATION |         | DO NOT SCALE DRAWING    |           |      |



**17-B KENTUCKY AVENUE  
PATERSON, NEW JERSEY 07503  
TEL: 973-684-4010 FAX: 973-684-3095  
email: TechSupport@industrialhardware.com  
www.industrialhardware.com**

|           |          |              |
|-----------|----------|--------------|
| SIZE      | DWG. NO. | REV.         |
| <b>A</b>  |          |              |
| SCALE:1:8 | WEIGHT:  | SHEET 1 OF 1 |