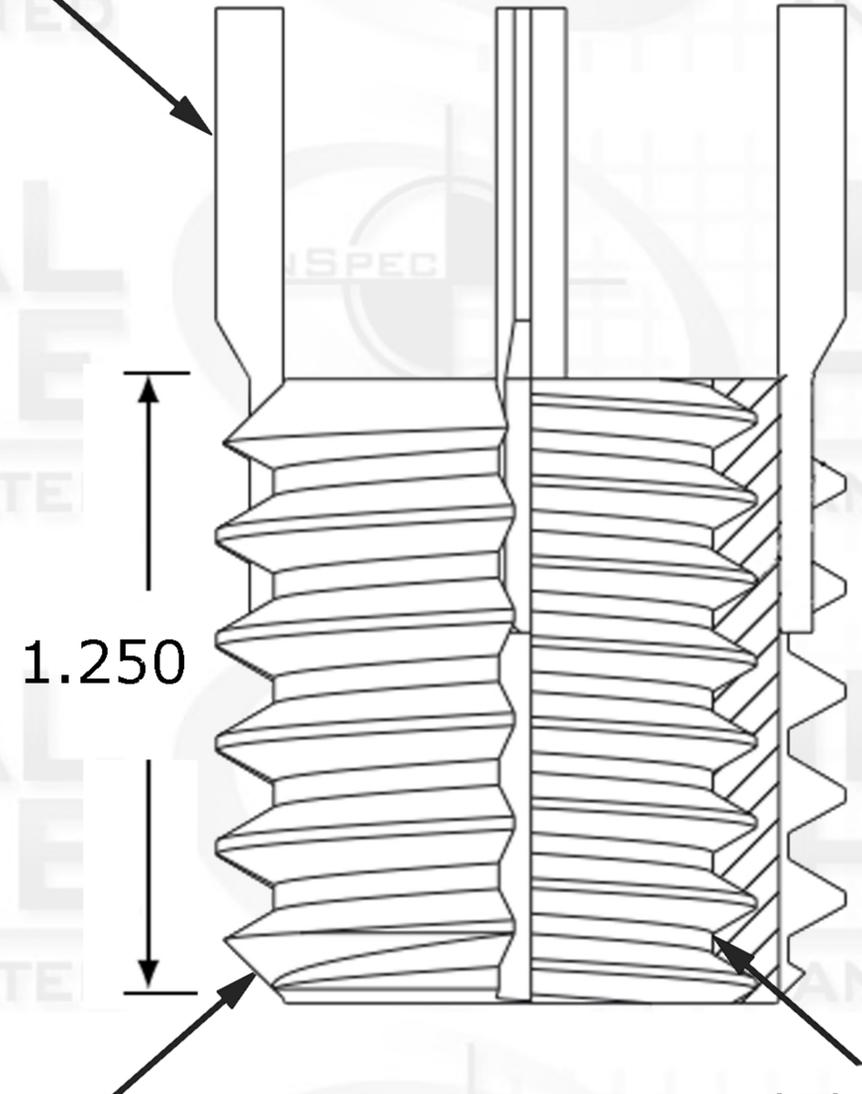


Key-Locking Non-Locking

| REVISIONS | | DATE | APPROVED |
|-----------|------|-------------|----------|
| ZONE | REV. | DESCRIPTION | |
| | | | |
| | | | |



Key



1.250

External Thread Pitch
1-3/8-12

Internal Thread Pitch
7/8-9

Suggested Drill Bit Size



1.3125 (1-5/16)

PROPRIETARY AND CONFIDENTIAL

THIS DRAWING AND IT'S CONTENT IS THE SOLE PROPERTY OF INDUSTRIAL HARDWARE & SPECIALTIES,INC.. ANY REPRODUCTION IN PART OR AS A WHOLE WITHOUT THE WRITTEN PERMISSION OF INDUSTRIAL HARDWARE & SPECIALTIES,INC. IS STRICTLY PROHIBITED.

| | | | | |
|-------------|---------|-------------------------|-----------|------|
| | | Internal | NAME | DATE |
| | | TH. STANDARD: ANSI/ASME | DRAWN | |
| | | ACRONYM: UNC | CHECKED | |
| | | ROTATION: Right-Hand | ENG APPR. | |
| | | External | MFG APPR. | |
| | | TH. STANDARD: ANSI/ASME | Q.A. | |
| | | ACRONYM: UNF | | |
| | | ROTATION: Right-Hand | | |
| | | MATERIAL FINISH | COMMENTS: | |
| | | Alloy Steel Type 4140 | | |
| NEXT ASSY | USED ON | PART NUMBER | | |
| | | 35L8C-37GP-087 | | |
| APPLICATION | | DO NOT SCALE DRAWING | | |



17-B KENTUCKY AVENUE
PATERSON, NEW JERSEY 07503
TEL: 973-684-4010 FAX: 973-684-3095
email: TechSupport@industrialhardware.com
www.industrialhardware.com

| | | |
|-----------|----------|--------------|
| SIZE | DWG. NO. | REV. |
| A | | |
| SCALE:1:8 | WEIGHT: | SHEET 1 OF 1 |