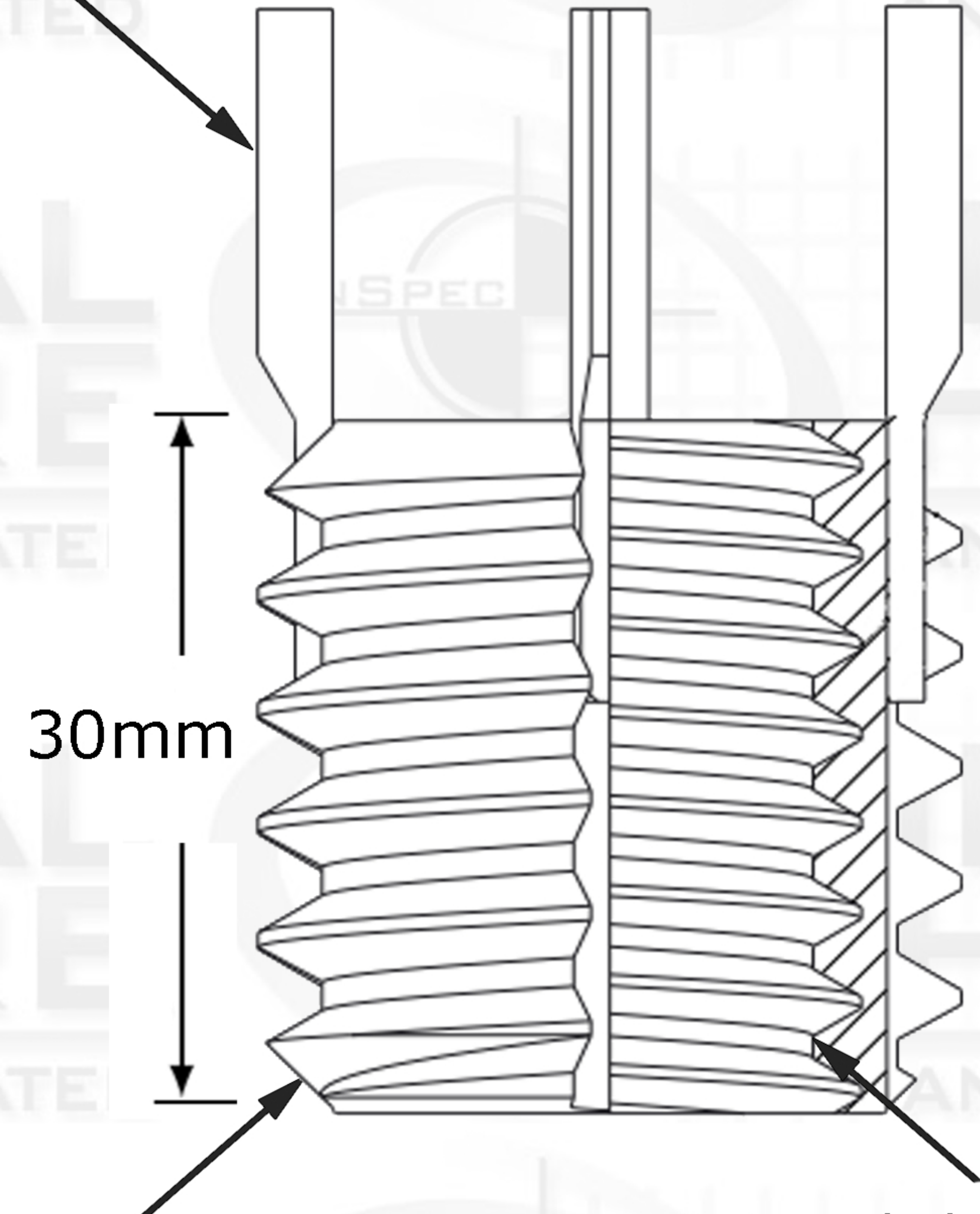


# Key-Locking Non-Locking

REVISIONS		DATE	APPROVED
ZONE	REV.	DESCRIPTION	



Key



30mm

External Thread Pitch  
M30 x 2

Internal Thread Pitch  
M20 x 1.5

Suggested Drill Bit Size



1.0938 (1-3/32)

## PROPRIETARY AND CONFIDENTIAL

THIS DRAWING AND IT'S CONTENT IS THE SOLE PROPERTY OF INDUSTRIAL HARDWARE & SPECIALTIES,INC.. ANY REPRODUCTION IN PART OR AS A WHOLE WITHOUT THE WRITTEN PERMISSION OF INDUSTRIAL HARDWARE & SPECIALTIES,INC. IS STRICTLY PROHIBITED.

		<b>Internal</b>		NAME	DATE
		TH. STANDARD: ISO Metric	DRAWN		
		ACRONYM: ISO	CHECKED		
		ROTATION: Right-Hand	ENG APPR.		
		<b>External</b>	MFG APPR.		
		TH. STANDARD: ISO Metric	Q.A.		
		ACRONYM: ISO			
		ROTATION: Right-Hand			
		MATERIAL FINISH	COMMENTS:		
		Stainless Steel Type 303			
NEXT ASSY	USED ON	PART NUMBER			
		35L8C-687W-C20J			
APPLICATION		DO NOT SCALE DRAWING			



**17-B KENTUCKY AVENUE  
PATERSON, NEW JERSEY 07503  
TEL: 973-684-4010 FAX: 973-684-3095  
email: TechSupport@industrialhardware.com  
www.industrialhardware.com**

SIZE	DWG. NO.	REV.
<b>A</b>		
SCALE:1:8	WEIGHT:	SHEET 1 OF 1