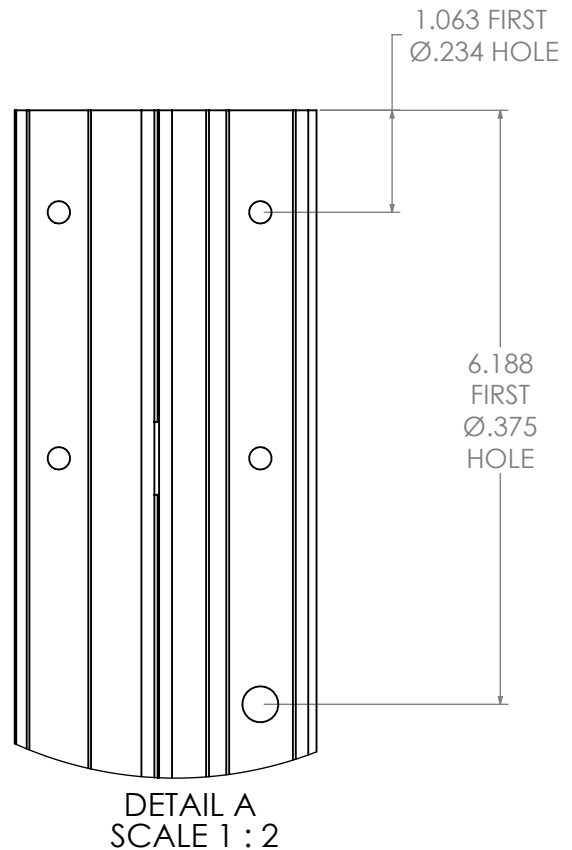
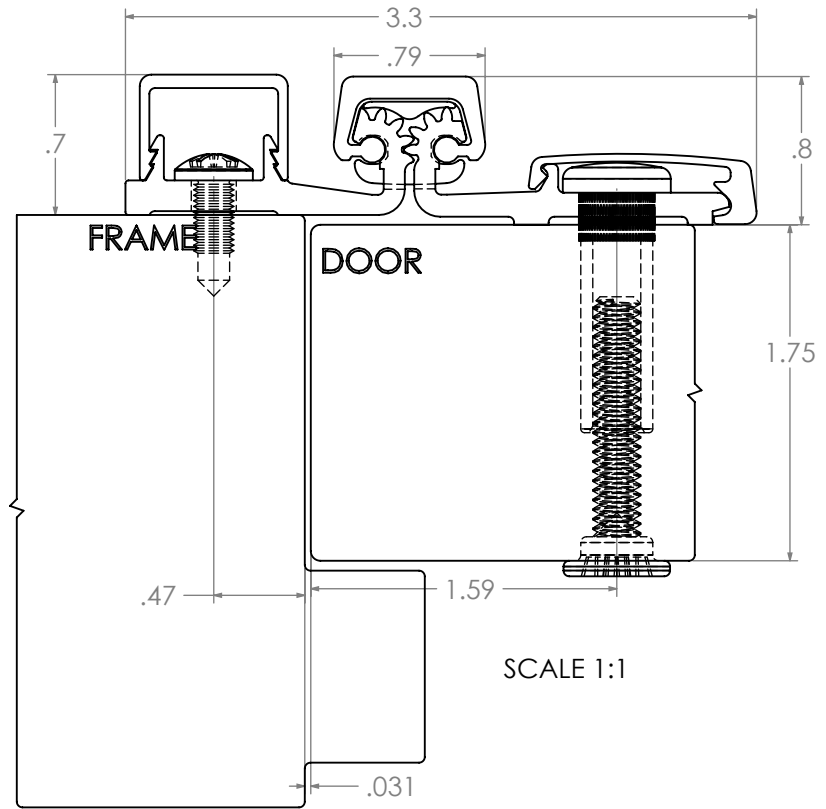
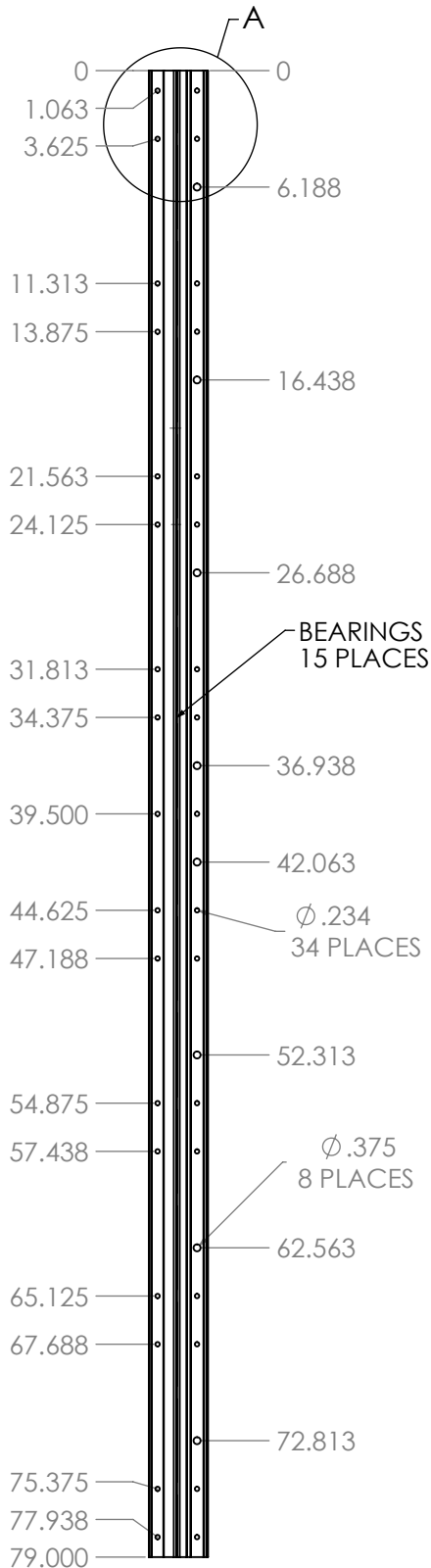
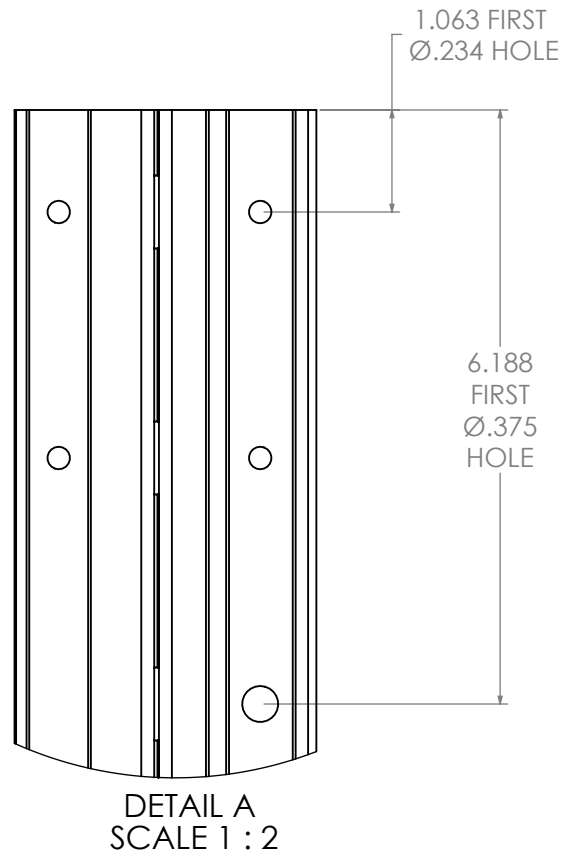
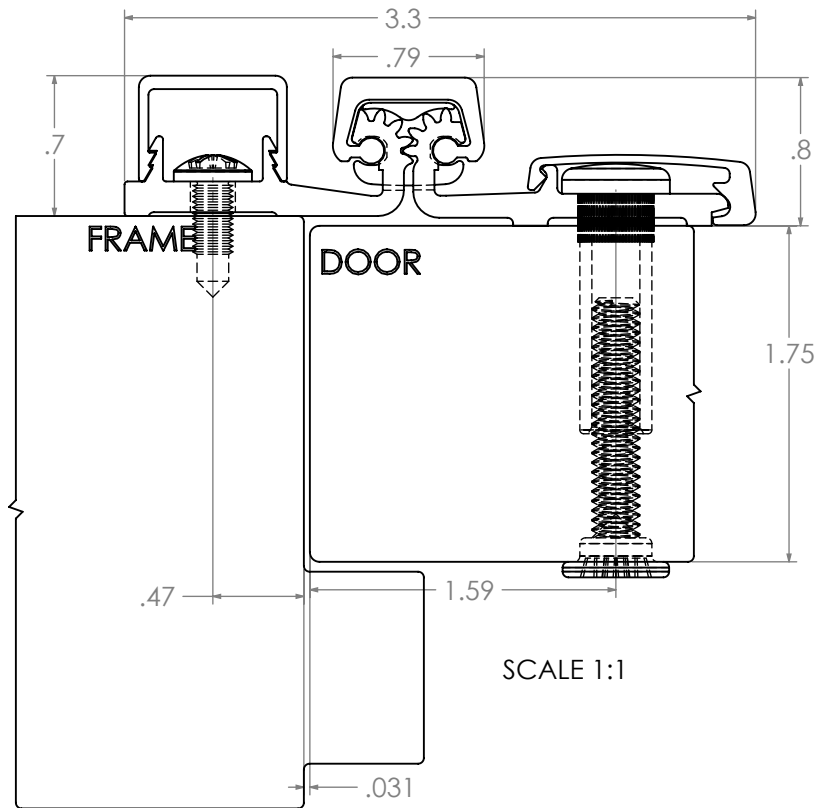
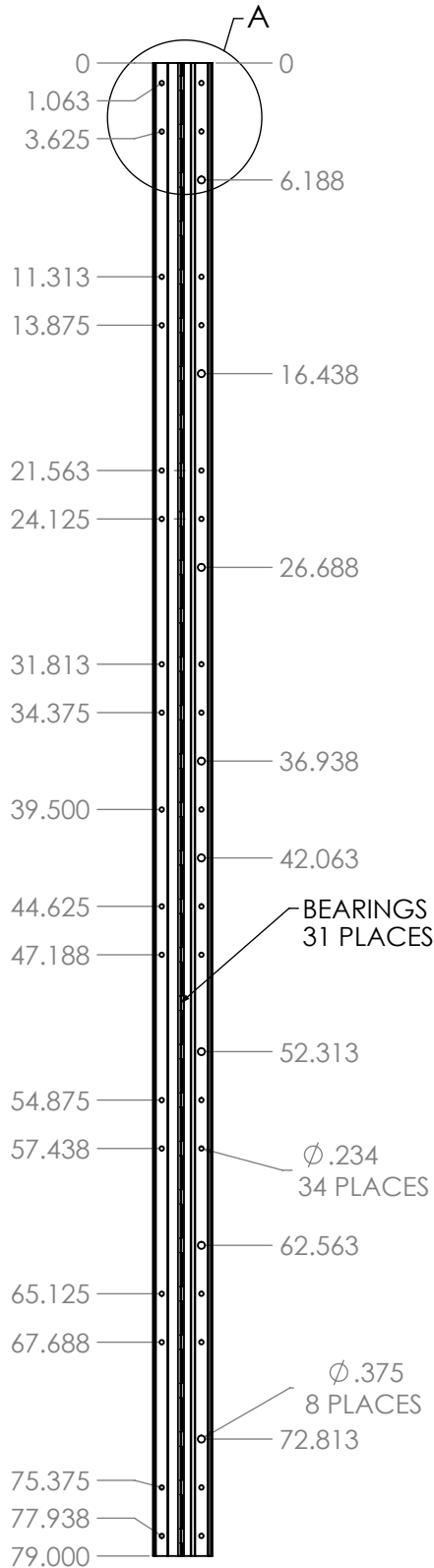


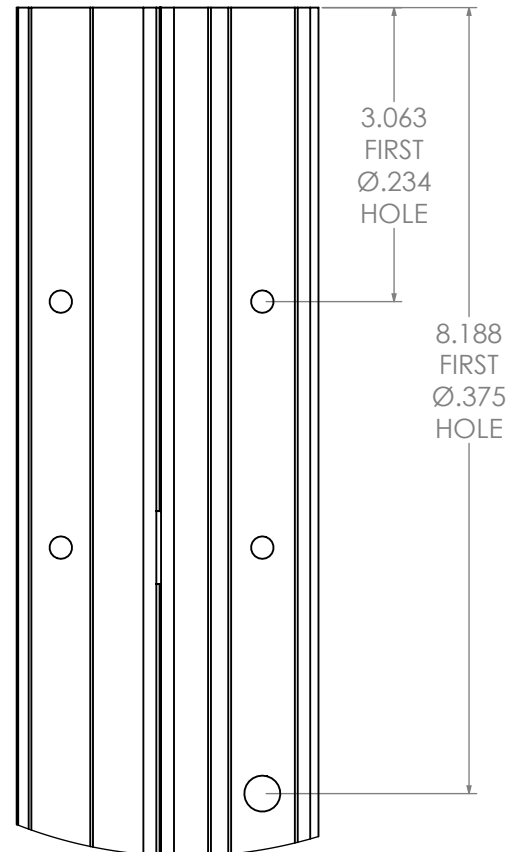
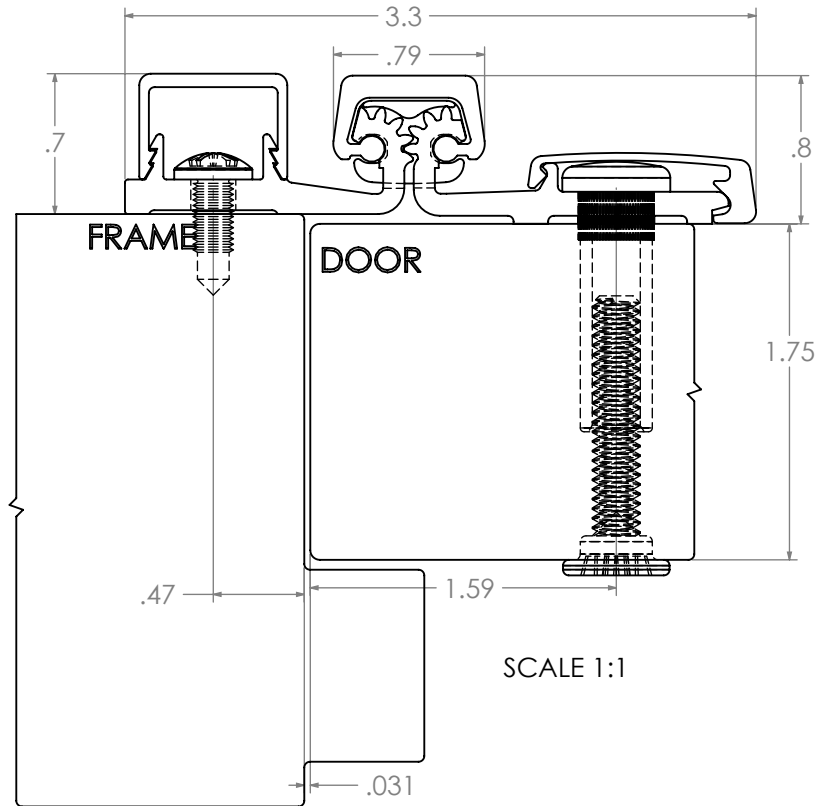
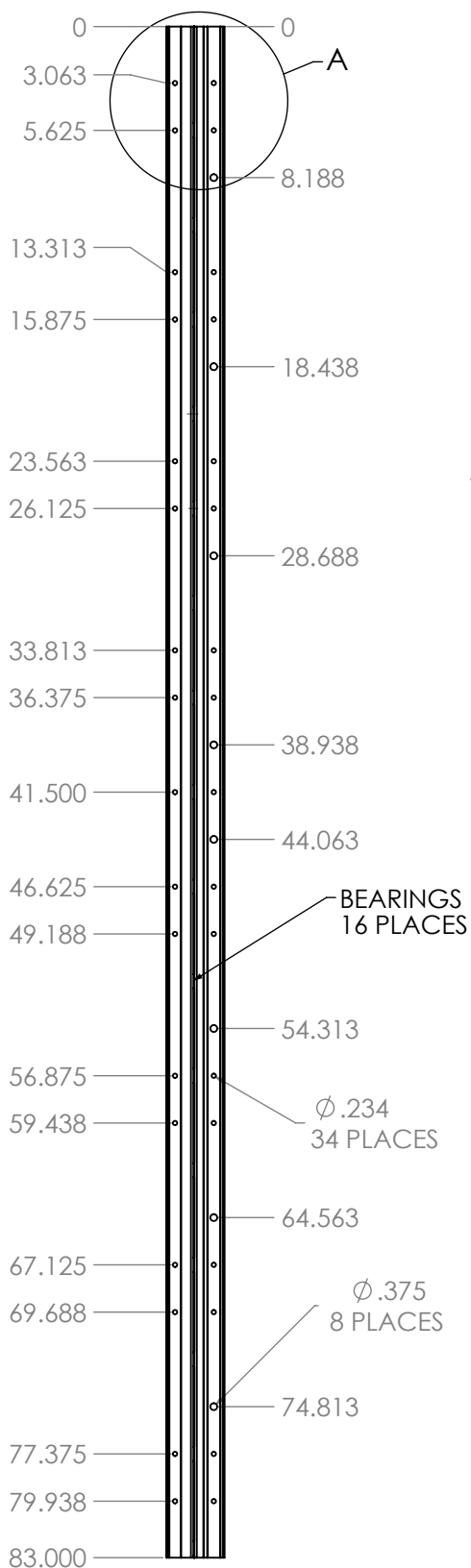
TEMPLATE FOR FULL SURFACE CONTINUOUS GEARED ALUMINUM HINGE



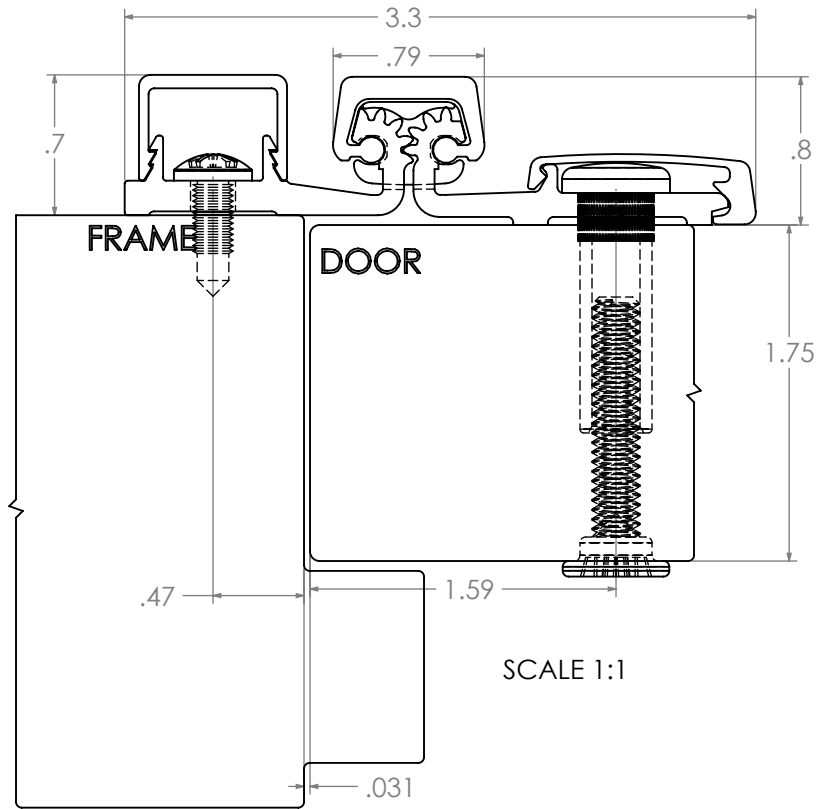
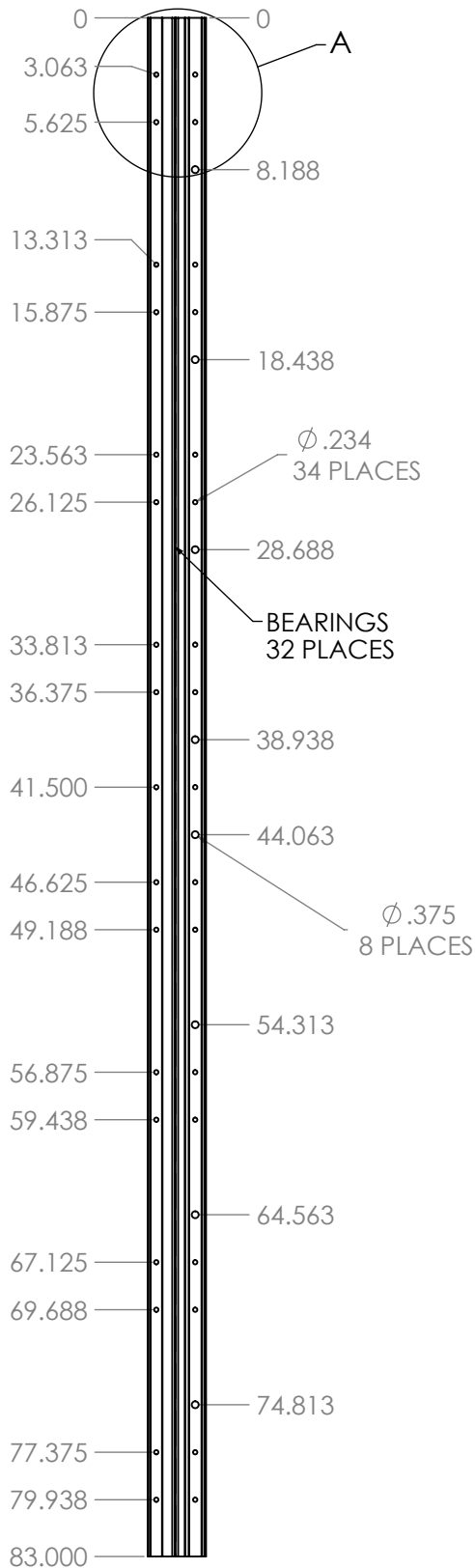
TEMPLATE FOR FULL SURFACE CONTINUOUS GEARED ALUMINUM HINGE



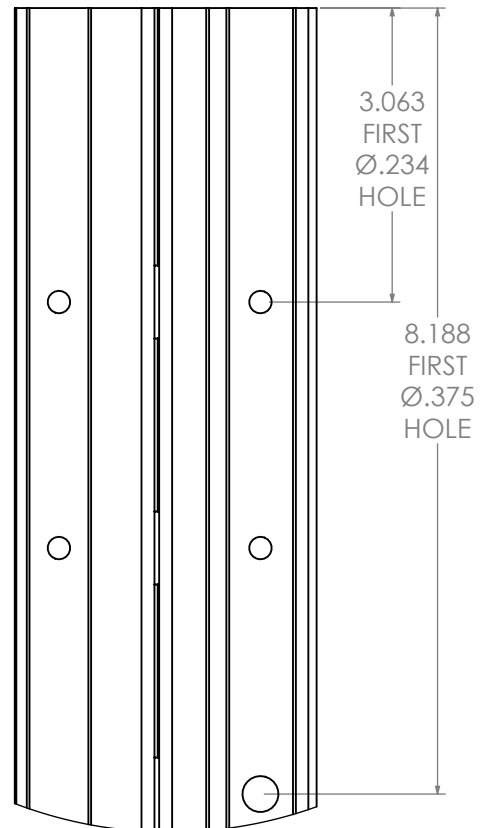
TEMPLATE FOR FULL SURFACE CONTINUOUS GEARED ALUMINUM HINGE



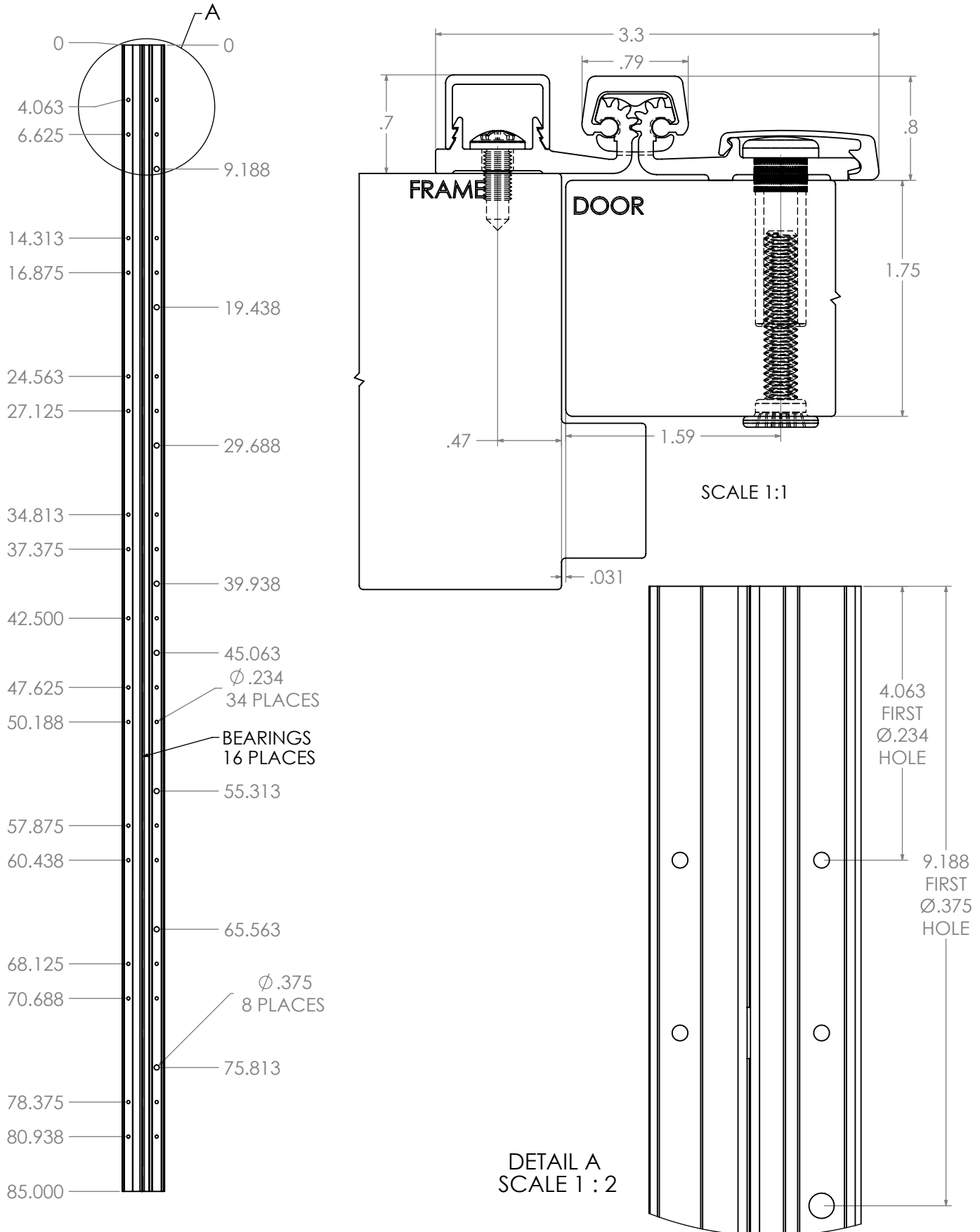
TEMPLATE FOR FULL SURFACE CONTINUOUS GEARED ALUMINUM HINGE



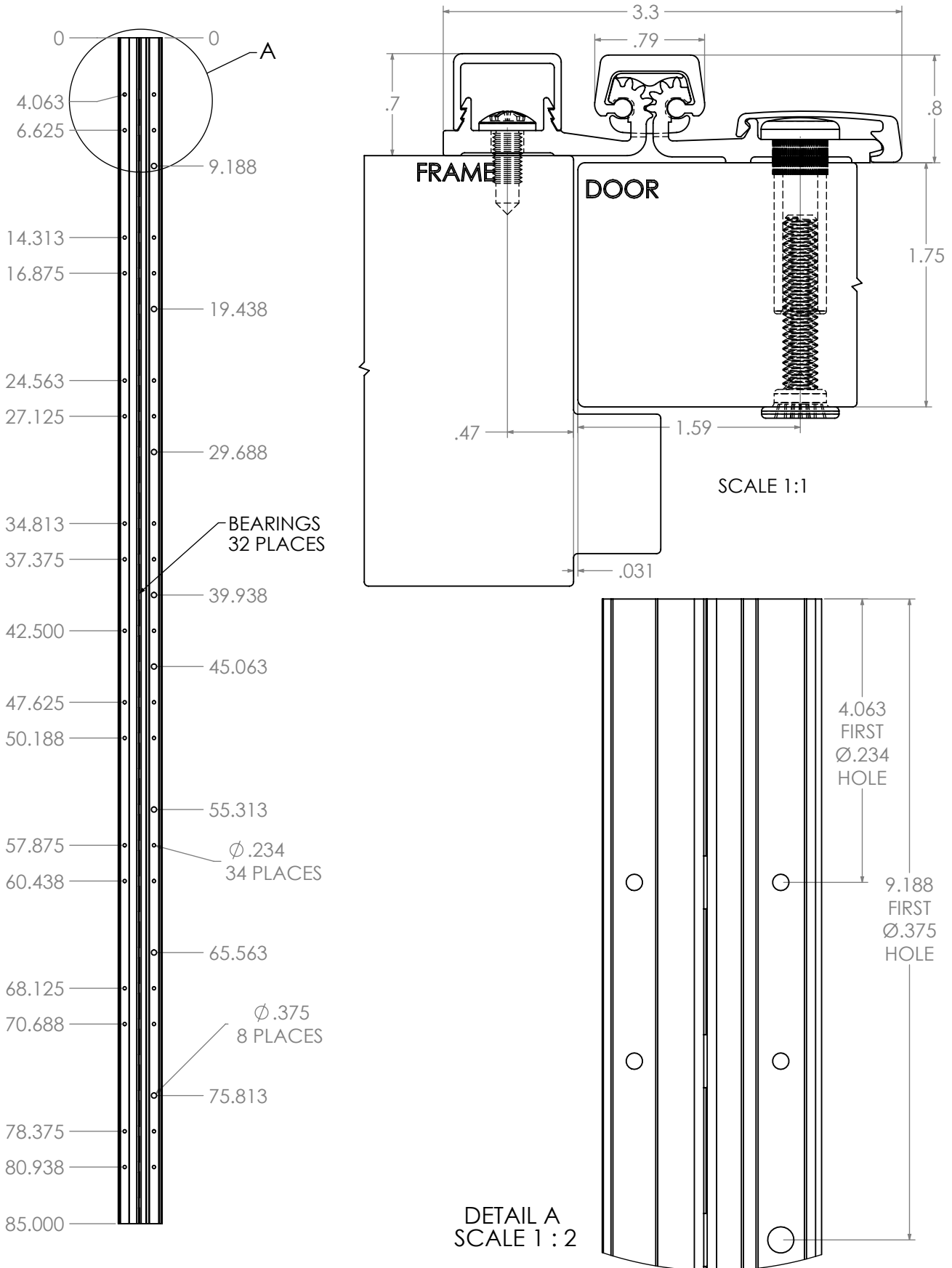
DETAIL A
SCALE 1 : 2



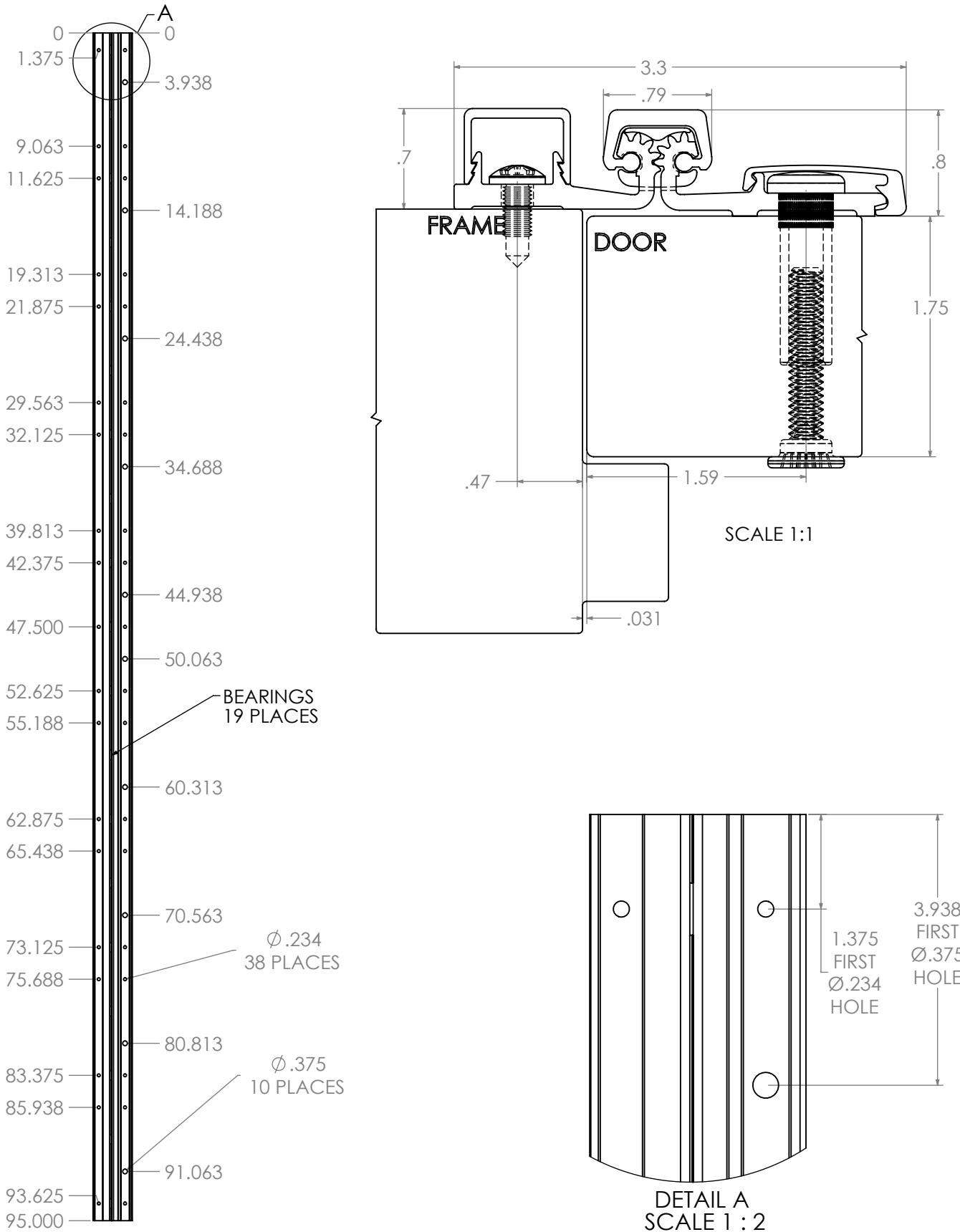
TEMPLATE FOR FULL SURFACE CONTINUOUS GEARED ALUMINUM HINGE



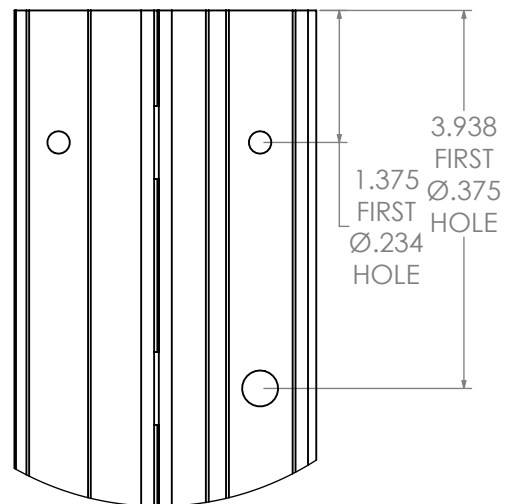
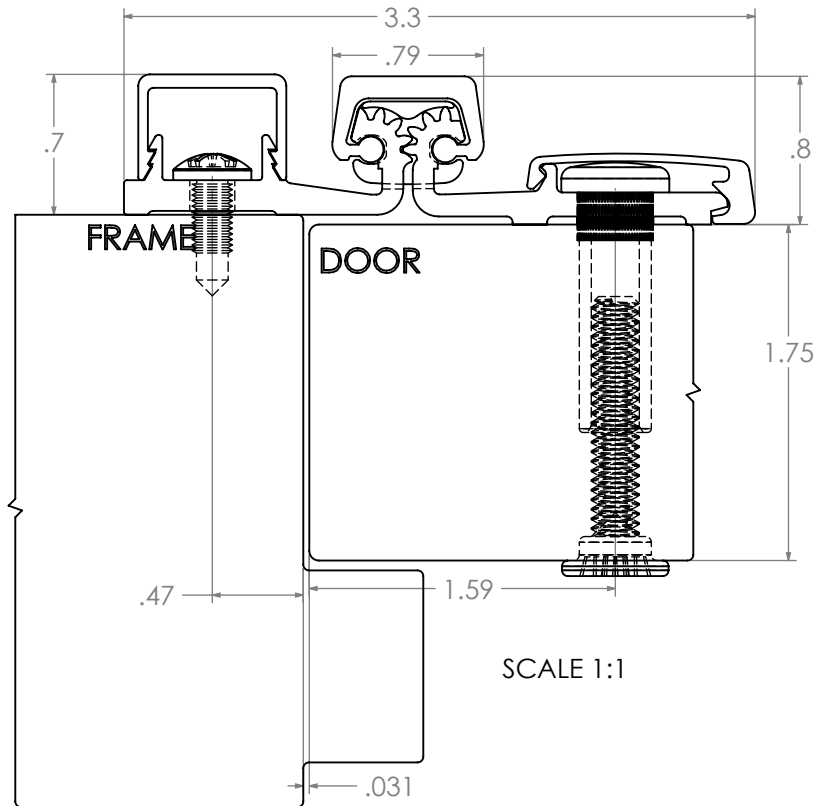
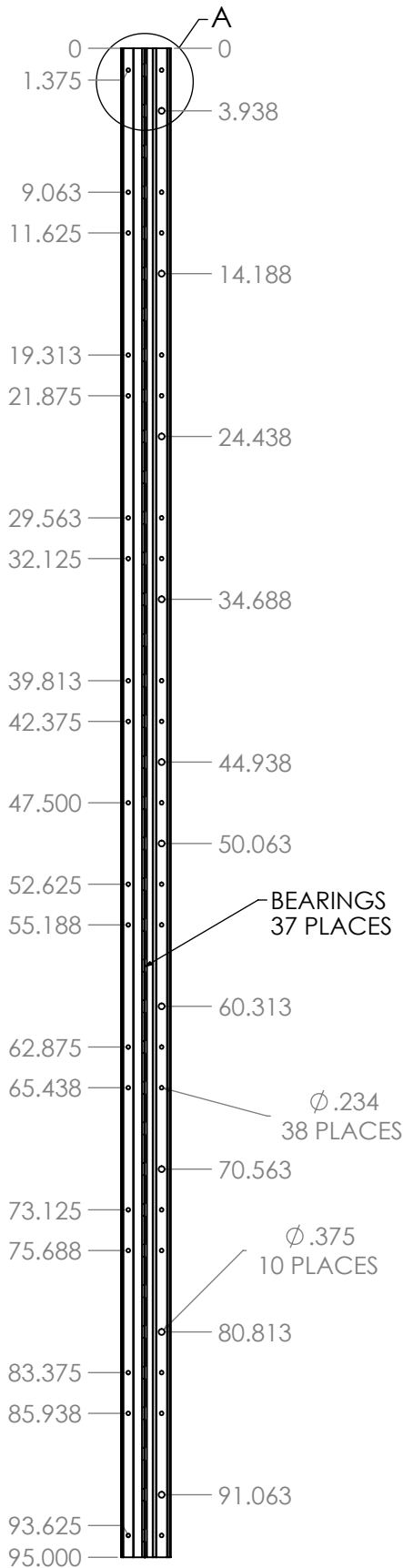
TEMPLATE FOR FULL SURFACE CONTINUOUS GEARED ALUMINUM HINGE



TEMPLATE FOR FULL SURFACE CONTINUOUS GEARED ALUMINUM HINGE

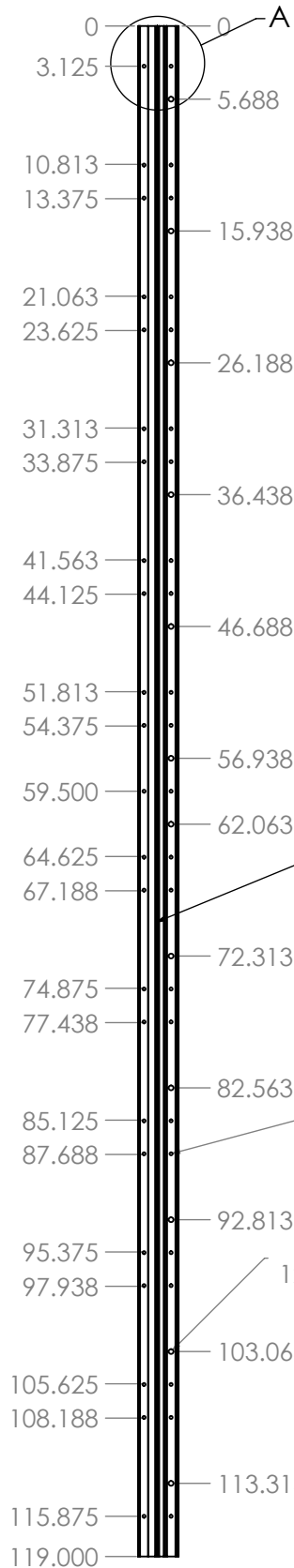


TEMPLATE FOR FULL SURFACE CONTINUOUS GEARED ALUMINUM HINGE



DETAIL A
SCALE 1 : 2

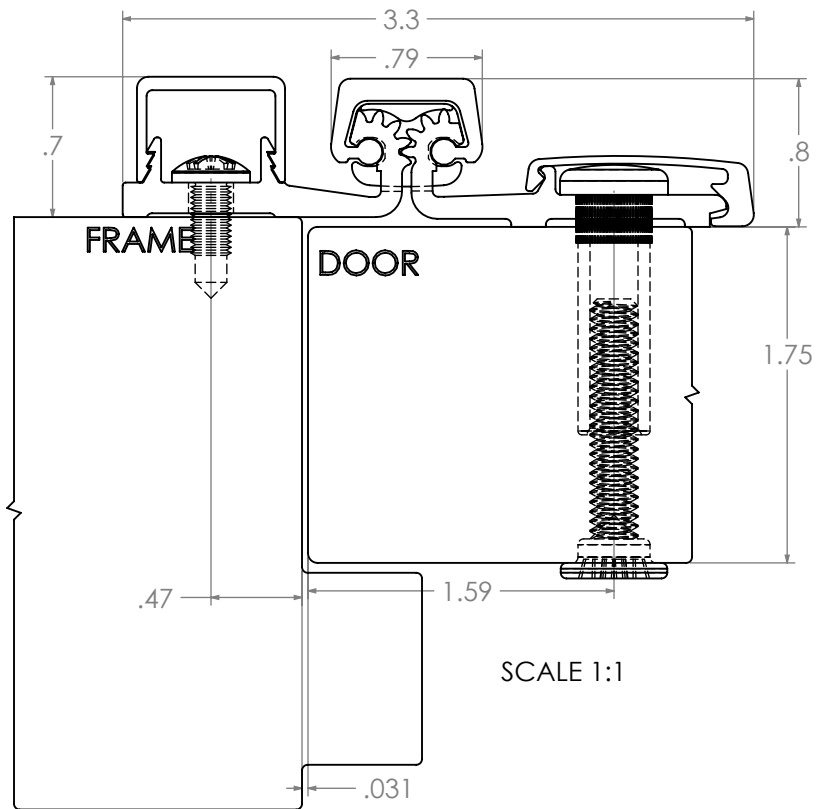
TEMPLATE FOR FULL SURFACE CONTINUOUS GEARED ALUMINUM HINGE



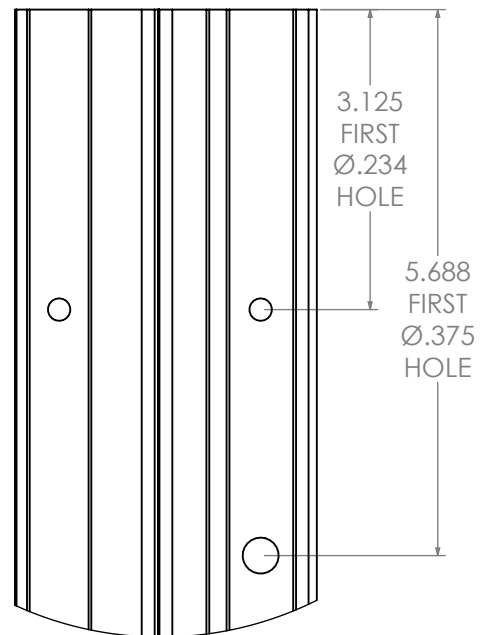
BEARINGS
22 PLACES

Ø.234
46 PLACES

Ø.375
12 PLACES



SCALE 1:1



DETAIL A
SCALE 1 : 2

TEMPLATE FOR FULL SURFACE CONTINUOUS GEARED ALUMINUM HINGE

