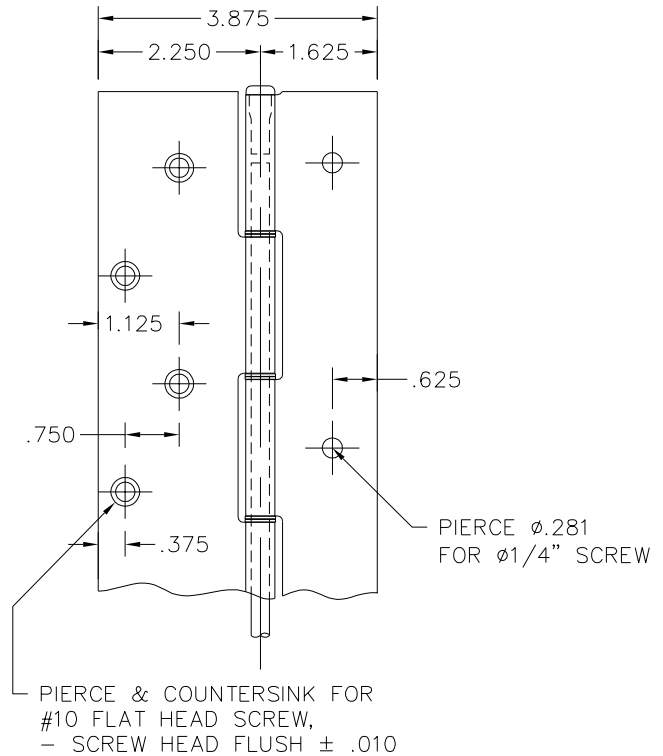
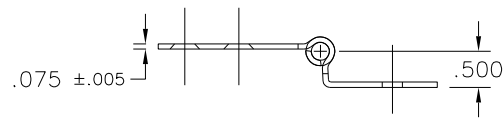


APPLICATION

SCALE: 3/4



HOLE PATTERN DETAIL

SCALE: 3/8

NOTES:

- MATERIAL: .075 STAINLESS STEEL #304-2B FINISH
- ALL DIMENSIONS ARE IN INCHES
- DRAWINGS ARE NOT TO SCALE
- KNUCKLE PATTERN MAY VARY

TOLERANCE (UNLESS NOTED)	DET	QTY	SH	STOCK SIZE	MATL	REMARKS																								
.X = ± .060	<table border="1"> <thead> <tr> <th colspan="2">REVISIONS</th> <th colspan="2">Bill of Material</th> </tr> </thead> <tbody> <tr> <td>.XX = ± .030</td> <td colspan="3">HAGER COMPANIES</td> <td>REVISED BY</td> </tr> <tr> <td>.XIX = ± .015</td> <td colspan="3">HAGER - MODEL 790-904 - 79"</td> <td>DATE</td> </tr> <tr> <td>ANGLE = ± 2°</td> <td colspan="3">CONTINUOUS STAINLESS STEEL HINGE</td> <td></td> </tr> <tr> <td>FRACTION = ± 1/32</td> <td colspan="3"></td> <td></td> </tr> </tbody> </table>						REVISIONS		Bill of Material		.XX = ± .030	HAGER COMPANIES			REVISED BY	.XIX = ± .015	HAGER - MODEL 790-904 - 79"			DATE	ANGLE = ± 2°	CONTINUOUS STAINLESS STEEL HINGE				FRACTION = ± 1/32				
REVISIONS							Bill of Material																							
.XX = ± .030							HAGER COMPANIES			REVISED BY																				
.XIX = ± .015							HAGER - MODEL 790-904 - 79"			DATE																				
ANGLE = ± 2°							CONTINUOUS STAINLESS STEEL HINGE																							
FRACTION = ± 1/32																														
REMOVE ALL BURRS BREAK SHARP EDGES .010 MAX	<table border="1"> <thead> <tr> <th>REV</th> <th>DATE</th> <th>BY</th> <th>REASON</th> </tr> </thead> <tbody> <tr> <td>02-17-03</td> <td></td> <td>KBJ</td> <td>AS NOTED</td> </tr> </tbody> </table>					REV	DATE	BY	REASON	02-17-03		KBJ	AS NOTED																	
REV	DATE	BY	REASON																											
02-17-03		KBJ	AS NOTED																											
	DRAWING NO. 790-904 - 79"																													