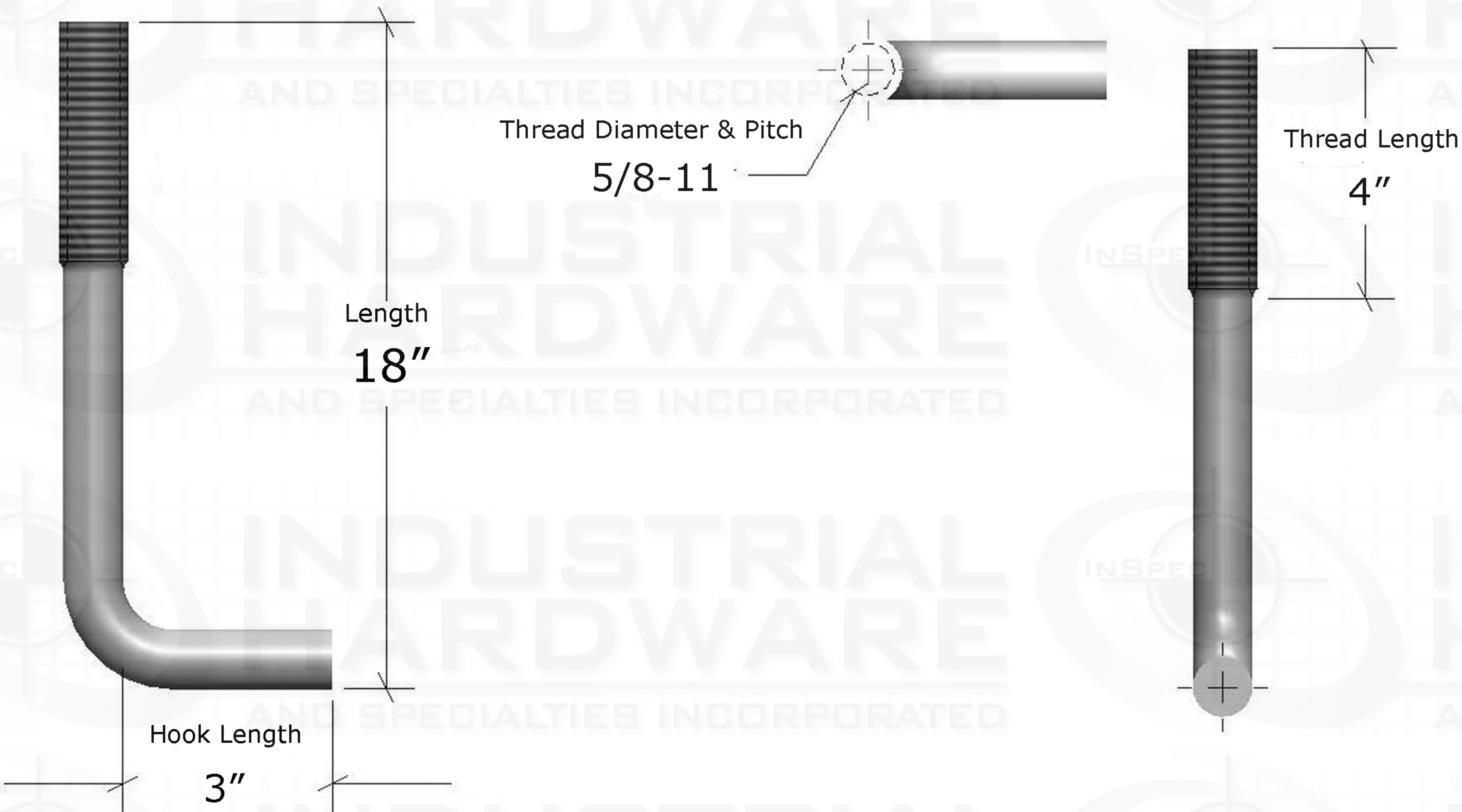


| ZONE | | REV. | REVISIONS DESCRIPTION | DATE | APPROVED |
|------|--|------|-----------------------|------|----------|
| | | | | | |



PROPRIETARY AND CONFIDENTIAL

THIS DRAWING AND IT'S CONTENT IS THE SOLE PROPERTY OF INDUSTRIAL HARDWARE & SPECIALTIES,INC.. ANY REPRODUCTION IN PART OR AS A WHOLE WITHOUT THE WRITTEN PERMISSION OF INDUSTRIAL HARDWARE & SPECIALTIES,INC. IS STRICTLY PROHIBITED.

| | | | |
|--|---------|-------------------------------------|------|
| DIMENSIONS ARE IN INCHES TOLERANCES: FRACTIONAL ± 1/64" ANGULAR: MACH ± 1° BEND ± 1° TWO PLACE DECIMAL ± .01" THREE PLACE DECIMAL ± .005" CONCENTRICITY T.I.R. = .005" | | NAME | DATE |
| DRAWN | | | |
| CHECKED | | | |
| ENG APPR. | | | |
| MFG APPR. | | | |
| Q.A. | | | |
| MATERIAL FINISH Low Carbon Steel C1008-C1018 Hot Dip Galvanized | | COMMENTS: | |
| NEXT ASSY | USED ON | PART NUMBER 121-06.18.030.04-G07 | |
| APPLICATION | | DO NOT SCALE DRAWING | |



**17-B KENTUCKY AVENUE
PATERSON, NEW JERSEY 07503
TEL: 973-684-4010 FAX: 973-684-3095
email: TechSupport@industrialhardware.com
www.industrialhardware.com**

| | | |
|------------|-----------------------|--------------|
| SIZE | DWG. NO. | REV. |
| A | | |
| SCALE: 1:8 | WEIGHT: 1.4266 lbs ea | SHEET 1 OF 1 |