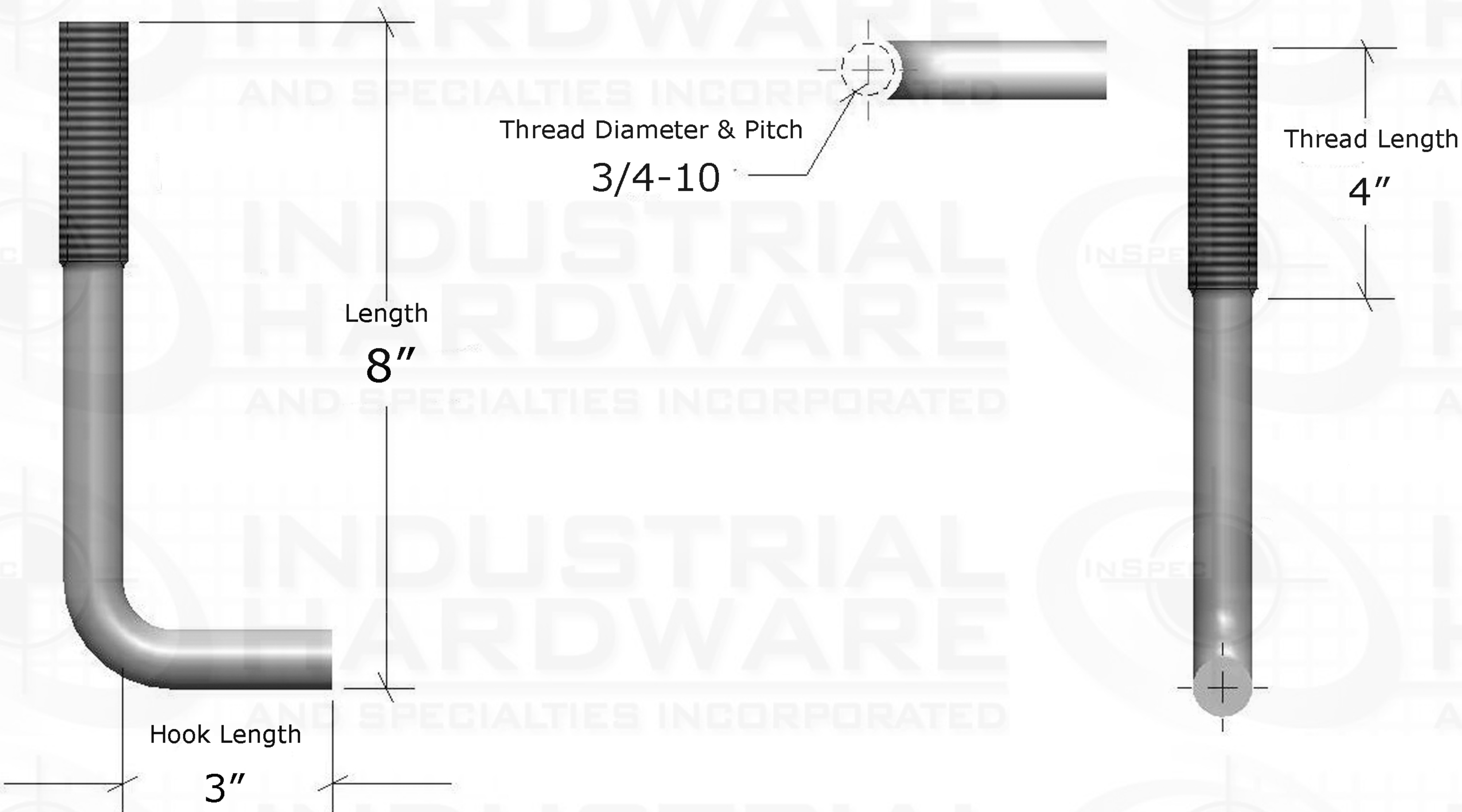


| ZONE |  | REV. | REVISIONS<br>DESCRIPTION | DATE | APPROVED |
|------|--|------|--------------------------|------|----------|
|      |  |      |                          |      |          |



**PROPRIETARY AND CONFIDENTIAL**

THIS DRAWING AND IT'S CONTENT IS THE SOLE PROPERTY OF INDUSTRIAL HARDWARE & SPECIALTIES,INC.. ANY REPRODUCTION IN PART OR AS A WHOLE WITHOUT THE WRITTEN PERMISSION OF INDUSTRIAL HARDWARE & SPECIALTIES,INC. IS STRICTLY PROHIBITED.

|  |         |  |      |
|--|---------|--|------|
| DIMENSIONS ARE IN INCHES<br>TOLERANCES:<br>FRACTIONAL ± 1/64"<br>ANGULAR: MACH ± 1° BEND ± 1°<br>TWO PLACE DECIMAL ± .01"<br>THREE PLACE DECIMAL ± .005"<br>CONCENTRICITY T.I.R. = .005" |         | NAME                                     | DATE |
| DRAWN  |         |  |      |
| CHECKED  |         |  |      |
| ENG APPR.  |         |  |      |
| MFG APPR.  |         |  |      |
| Q.A.   |         |  |      |
| MATERIAL FINISH<br>ASTM F1554-Grade 55<br>Hot Dip Galvanized   |         | COMMENTS:                                |      |
| NEXT ASSY  | USED ON | PART NUMBER<br><b>121-07.08.030.04VG</b> |      |
| APPLICATION  |         | DO NOT SCALE DRAWING                     |      |

**INDUSTRIAL HARDWARE AND SPECIALTIES INCORPORATED**

17-B KENTUCKY AVENUE  
PATERSON, NEW JERSEY 07503  
TEL: 973-684-4010 FAX: 973-684-3095  
email: TechSupport@industrialhardware.com  
www.industrialhardware.com

|          |          |      |
|----------|----------|------|
| SIZE     | DWG. NO. | REV. |
| <b>A</b> |          |      |

SCALE: 1:8    WEIGHT: 1.0938 lbs ea    SHEET 1 OF 1