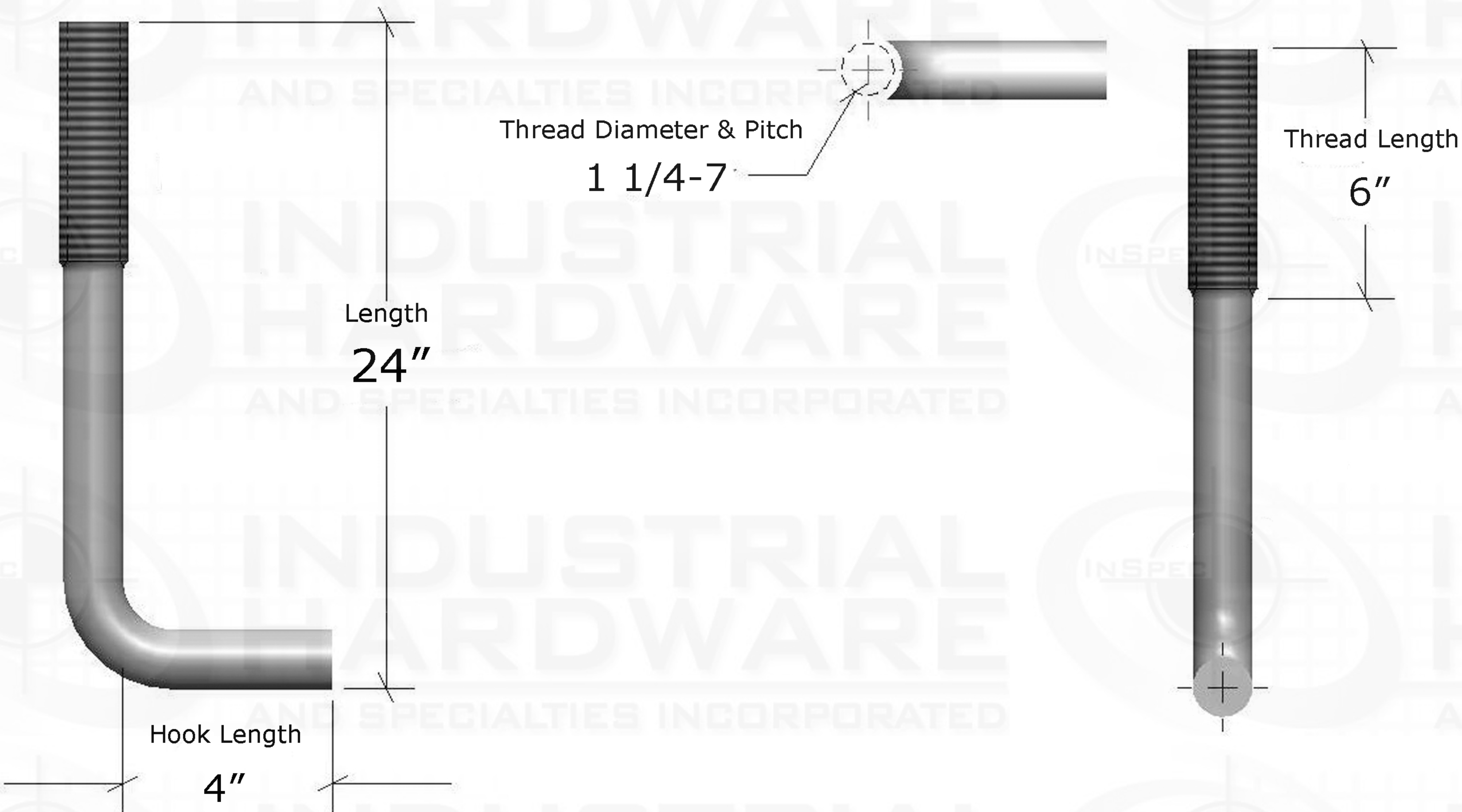


| ZONE | | REV. | REVISIONS DESCRIPTION | DATE | APPROVED |
|------|--|------|-----------------------|------|----------|
| | | | | | |



PROPRIETARY AND CONFIDENTIAL

THIS DRAWING AND IT'S CONTENT IS THE SOLE PROPERTY OF INDUSTRIAL HARDWARE & SPECIALTIES,INC.. ANY REPRODUCTION IN PART OR AS A WHOLE WITHOUT THE WRITTEN PERMISSION OF INDUSTRIAL HARDWARE & SPECIALTIES,INC. IS STRICTLY PROHIBITED.

| | | | |
|--|---------|----------------------|------|
| DIMENSIONS ARE IN INCHES TOLERANCES: FRACTIONAL $\pm 1/64"$ ANGULAR: MACH $\pm 1^\circ$ BEND $\pm 1^\circ$ TWO PLACE DECIMAL $\pm .01"$ THREE PLACE DECIMAL $\pm .005"$ CONCENTRICITY T.I.R. = $.005"$ | | NAME | DATE |
| DRAWN | | | |
| CHECKED | | | |
| ENG APPR. | | | |
| MFG APPR. | | | |
| Q.A. | | | |
| MATERIAL FINISH ASTM F1554-Grade 55 Hot Dip Galvanized | | COMMENTS: | |
| NEXT ASSY | USED ON | | |
| PART NUMBER 121-12.24.040.06VG | | | |
| APPLICATION | | DO NOT SCALE DRAWING | |

INDUSTRIAL HARDWARE
AND SPECIALTIES INCORPORATED

**17-B KENTUCKY AVENUE
PATERSON, NEW JERSEY 07503
TEL: 973-684-4010 FAX: 973-684-3095
email: TechSupport@industrialhardware.com
www.industrialhardware.com**

| | | |
|----------|----------|------|
| SIZE | DWG. NO. | REV. |
| A | | |

SCALE: 1:8 WEIGHT: **8.27 lbs ea** SHEET 1 OF 1