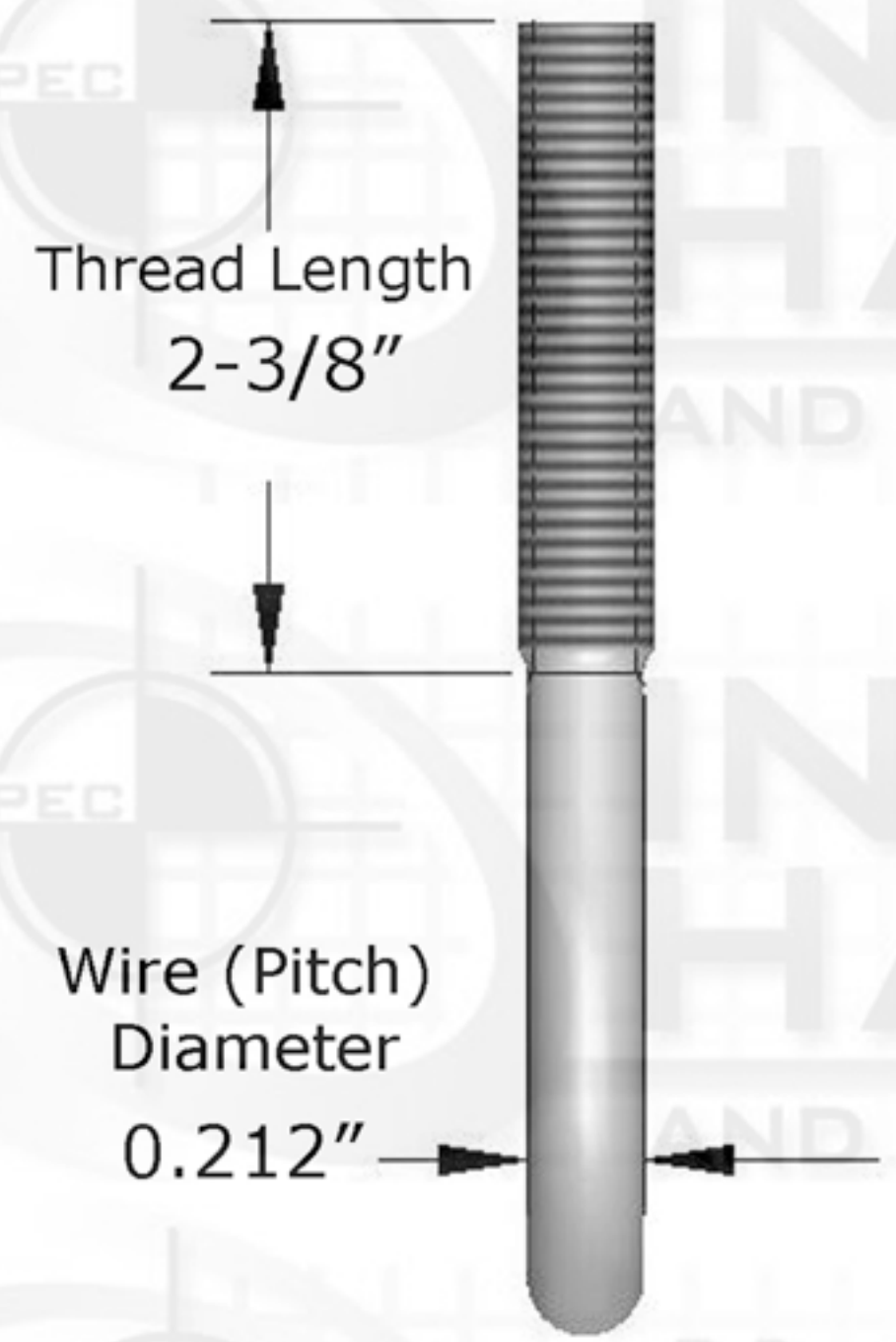
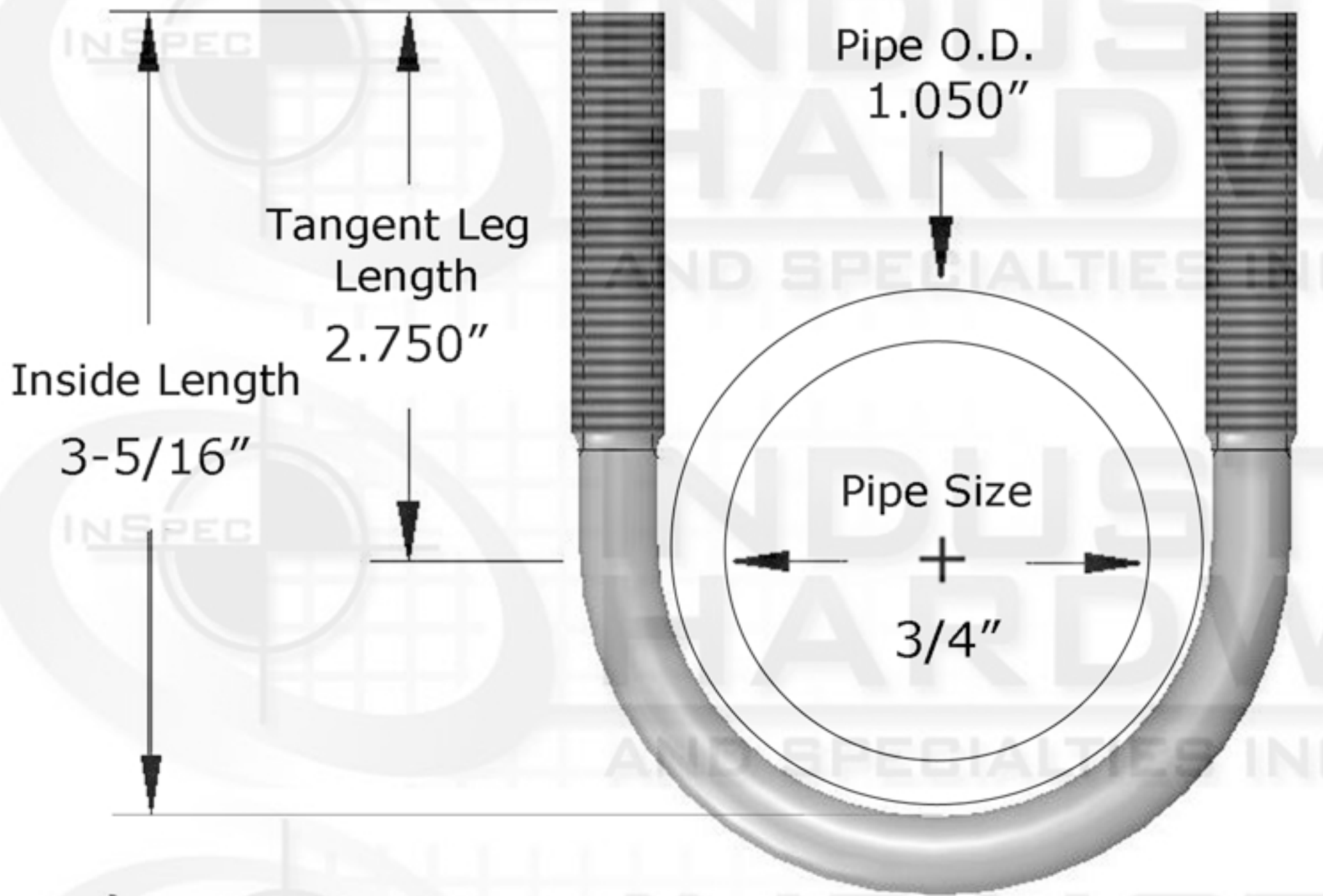
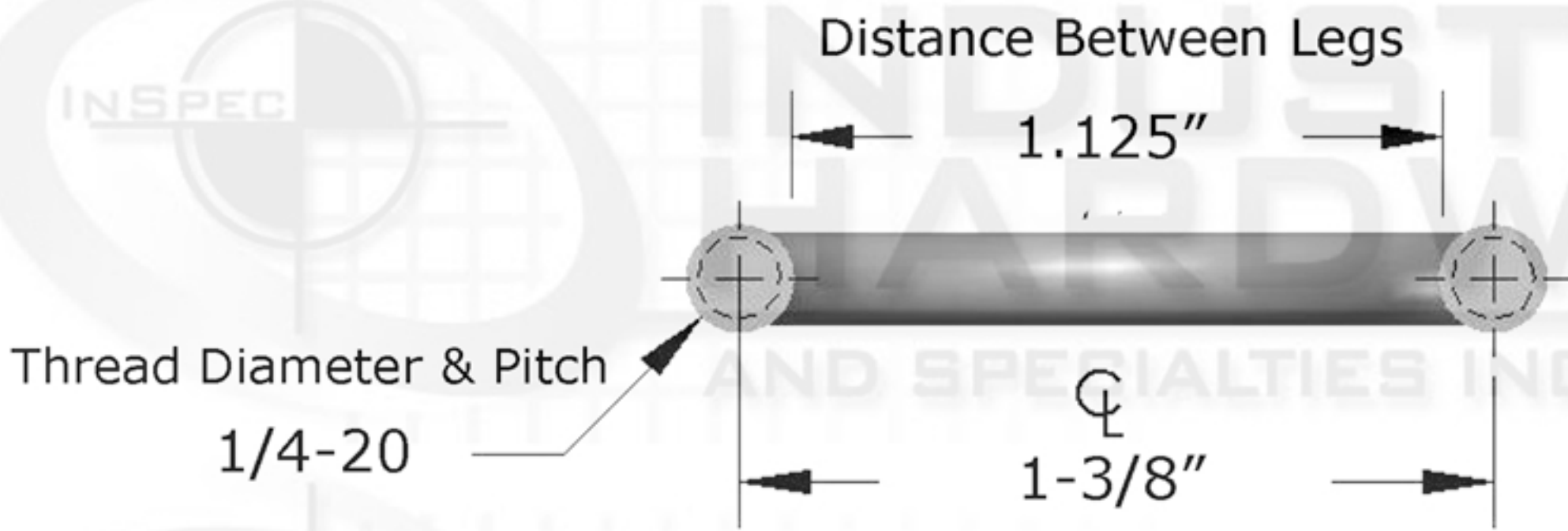


| ZONE |  | REV. | REVISIONS DESCRIPTION | DATE | APPROVED |
|------|--|------|-----------------------|------|----------|
|      |  |      |                       |      |          |



**PROPRIETARY AND CONFIDENTIAL**

THIS DRAWING AND IT'S CONTENT IS THE SOLE PROPERTY OF INDUSTRIAL HARDWARE & SPECIALTIES,INC.. ANY REPRODUCTION IN PART OR AS A WHOLE WITHOUT THE WRITTEN PERMISSION OF INDUSTRIAL HARDWARE & SPECIALTIES,INC. IS STRICTLY PROHIBITED.

|  |                      |
|--|----------------------|
| DIMENSIONS ARE IN INCHES<br>TOLERANCES:<br>FRACTIONAL ± 1/64"<br>ANGULAR: MACH ± 1° BEND ± 1°<br>TWO PLACE DECIMAL ± .01"<br>THREE PLACE DECIMAL ± .005"<br>CONCENTRICITY T.I.R. = .005" |                      |
| MATERIAL FINISH<br>Stainless Steel Type 316  |                      |
| NEXT ASSY  | USED ON              |
| PART NUMBER<br>78A-UB-0075-316   |                      |
| APPLICATION  | DO NOT SCALE DRAWING |

|           | NAME | DATE |
|-----------|------|------|
| DRAWN     |      |      |
| CHECKED   |      |      |
| ENG APPR. |      |      |
| MFG APPR. |      |      |
| Q.A.      |      |      |
| COMMENTS: |      |      |

**INDUSTRIAL HARDWARE**  
AND SPECIALTIES INCORPORATED

17-B KENTUCKY AVENUE  
PATERSON, NEW JERSEY 07503  
TEL: 973-684-4010 FAX: 973-684-3095  
email: TechSupport@industrialhardware.com  
www.industrialhardware.com

|      |          |      |
|------|----------|------|
| SIZE | DWG. NO. | REV. |
| A    |          |      |

SCALE: 1:8    WEIGHT: 0.077    SHEET 1 OF 1