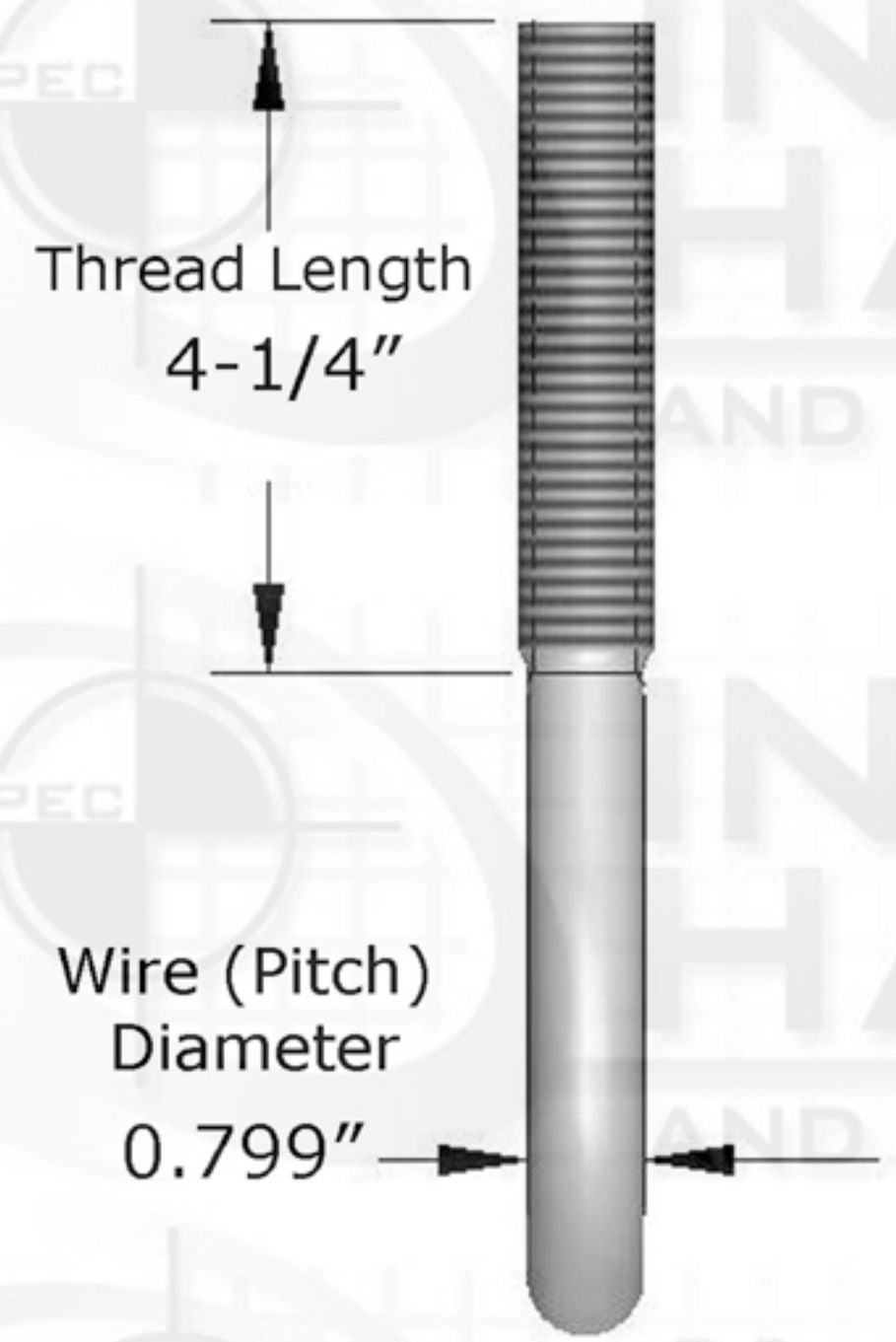
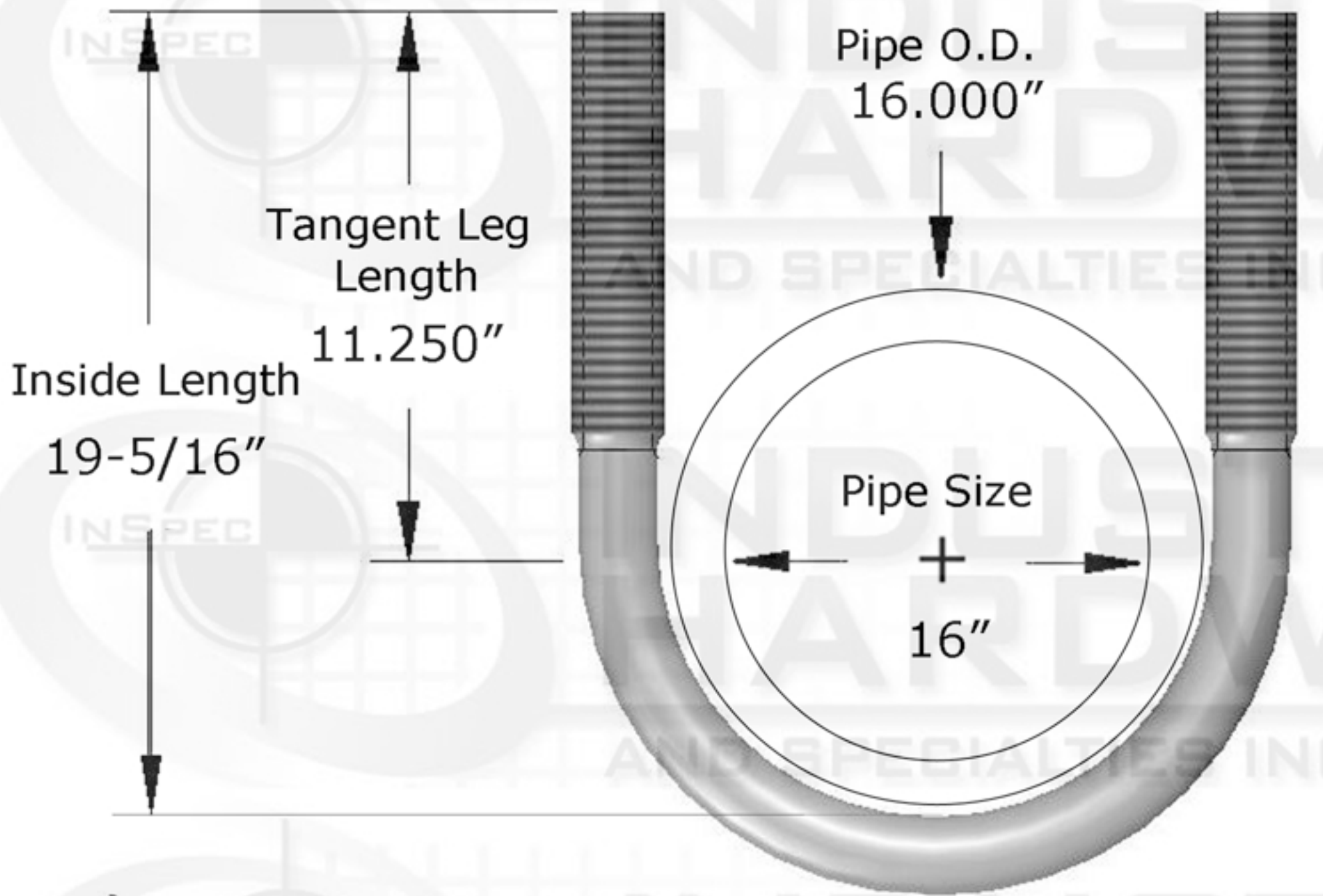
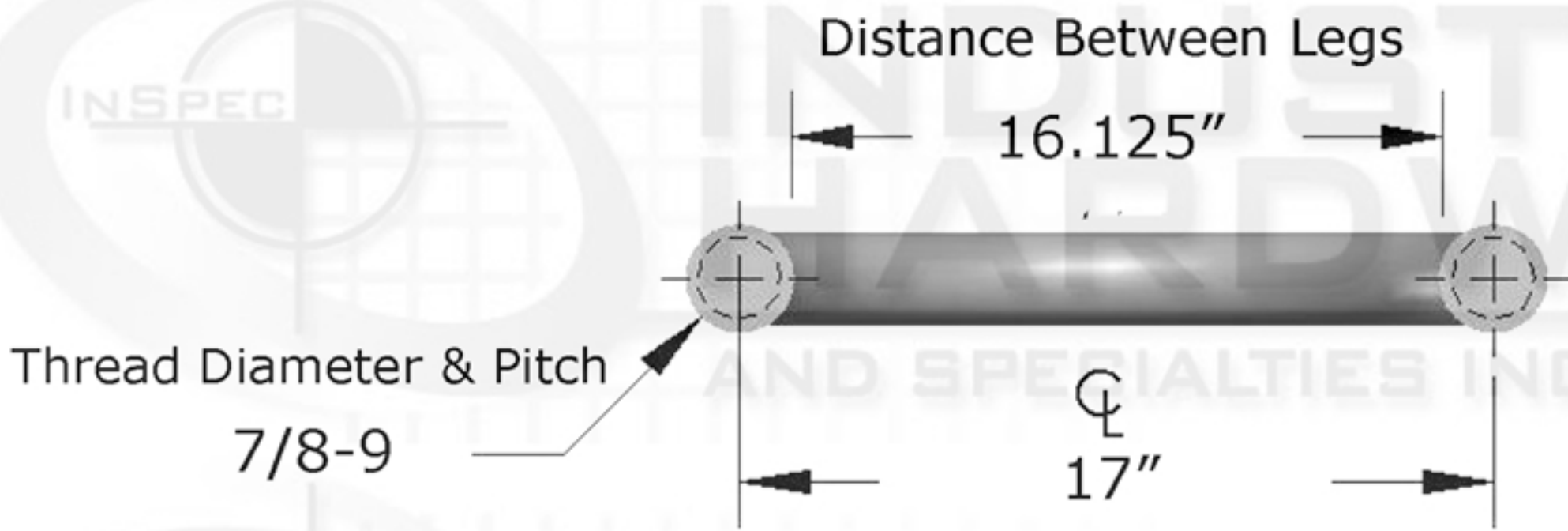


| ZONE | | REV. | DESCRIPTION | DATE | APPROVED |
|------|--|------|-------------|------|----------|
| | | | | | |



PROPRIETARY AND CONFIDENTIAL

THIS DRAWING AND IT'S CONTENT IS THE SOLE PROPERTY OF INDUSTRIAL HARDWARE & SPECIALTIES,INC.. ANY REPRODUCTION IN PART OR AS A WHOLE WITHOUT THE WRITTEN PERMISSION OF INDUSTRIAL HARDWARE & SPECIALTIES,INC. IS STRICTLY PROHIBITED.

| | | | |
|---|----------------------|-----------|------|
| DIMENSIONS ARE IN INCHES TOLERANCES: FRACTIONAL $\pm 1/64$ " ANGULAR: MACH $\pm 1^\circ$ BEND $\pm 1^\circ$ TWO PLACE DECIMAL $\pm .01$ " THREE PLACE DECIMAL $\pm .005$ " CONCENTRICITY T.I.R. = .005" | | NAME | DATE |
| DRAWN | | | |
| CHECKED | | | |
| ENG APPR. | | | |
| MFG APPR. | | | |
| Q.A. | | | |
| MATERIAL FINISH Stainless Steel Type 304 | | COMMENTS: | |
| PART NUMBER 78A-UB-1600-304 | | | |
| NEXT ASSY | USED ON | | |
| APPLICATION | DO NOT SCALE DRAWING | | |

INDUSTRIAL HARDWARE
AND SPECIALTIES INCORPORATED

17-B KENTUCKY AVENUE
PATERSON, NEW JERSEY 07503
TEL: 973-684-4010 FAX: 973-684-3095
email: TechSupport@industrialhardware.com
www.industrialhardware.com

| | | |
|------|----------|------|
| SIZE | DWG. NO. | REV. |
| A | | |

SCALE: 1:8 WEIGHT: 6.88 SHEET 1 OF 1