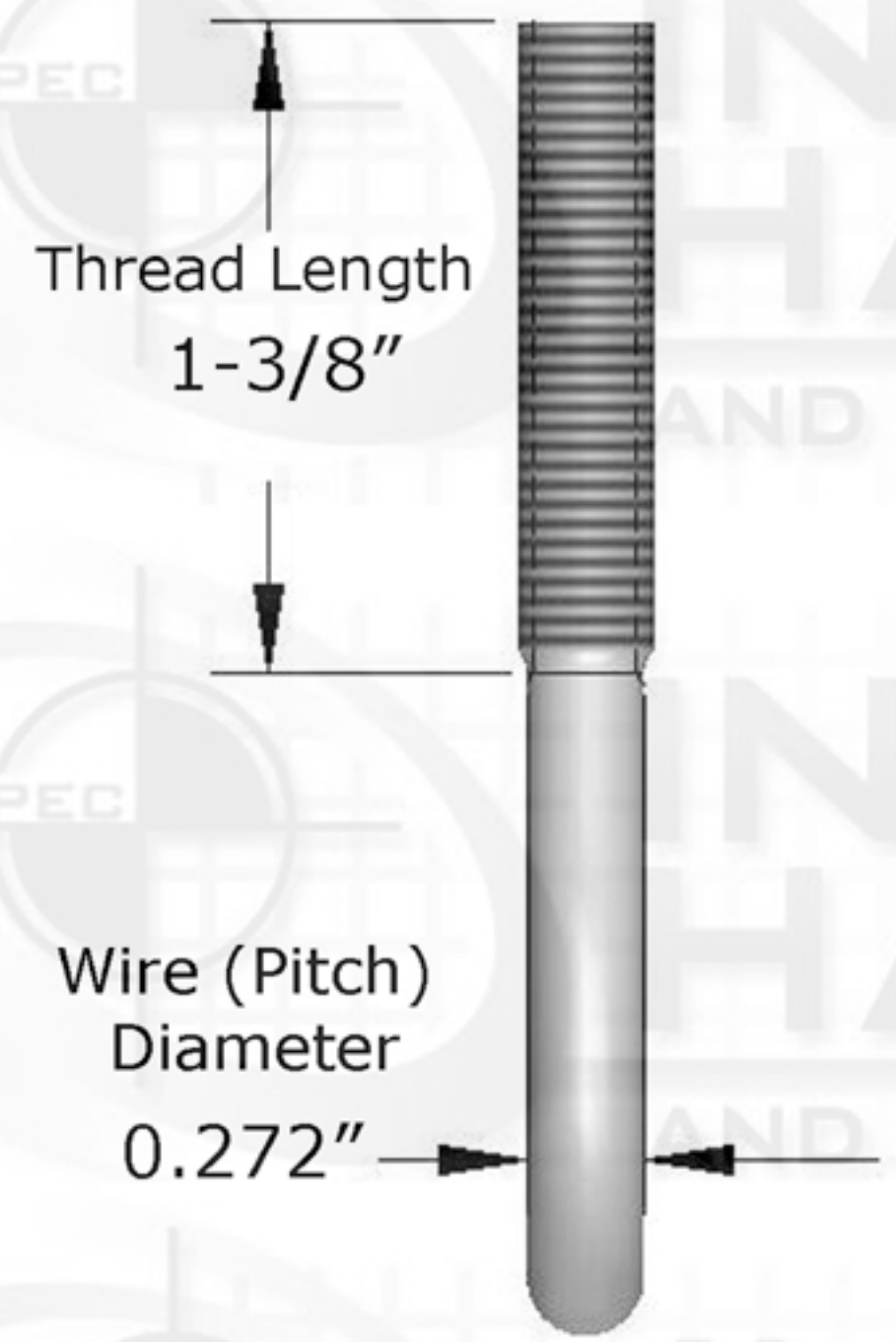
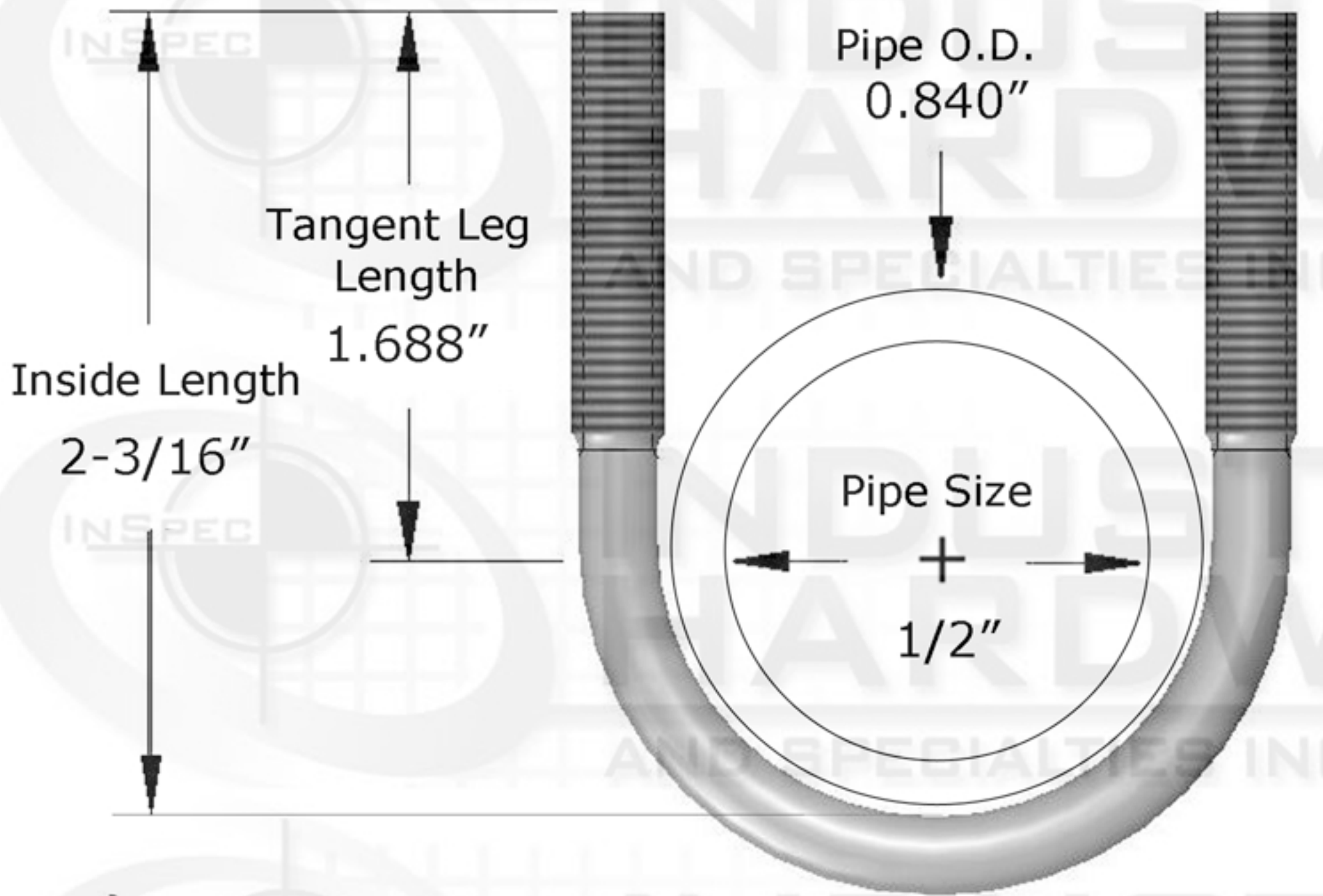
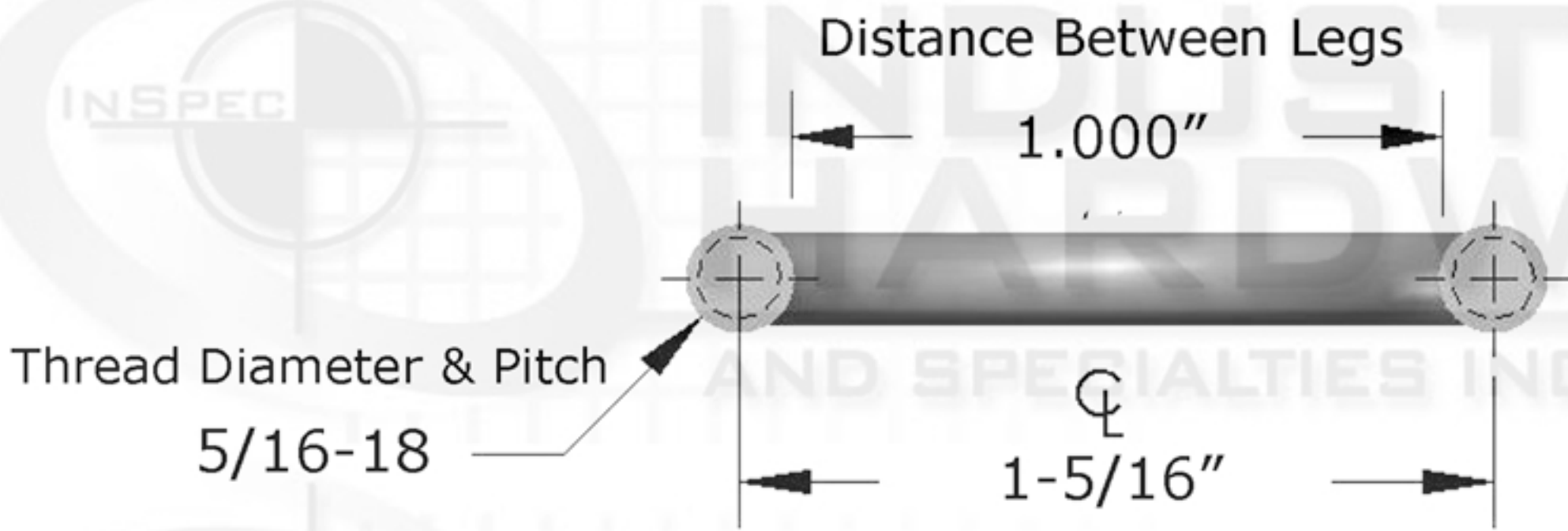


| ZONE | | REV. | REVISIONS DESCRIPTION | DATE | APPROVED |
|------|--|------|-----------------------|------|----------|
| | | | | | |



PROPRIETARY AND CONFIDENTIAL

THIS DRAWING AND IT'S CONTENT IS THE SOLE PROPERTY OF INDUSTRIAL HARDWARE & SPECIALTIES,INC.. ANY REPRODUCTION IN PART OR AS A WHOLE WITHOUT THE WRITTEN PERMISSION OF INDUSTRIAL HARDWARE & SPECIALTIES,INC. IS STRICTLY PROHIBITED.

| | | | |
|--|----------------------|-----------|------|
| DIMENSIONS ARE IN INCHES TOLERANCES: FRACTIONAL ± 1/64" ANGULAR: MACH ± 1° BEND ± 1° TWO PLACE DECIMAL ± .01" THREE PLACE DECIMAL ± .005" CONCENTRICITY T.I.R. = .005" | | NAME | DATE |
| MATERIAL FINISH Plain (unfinished) Steel | | DRAWN | |
| PART NUMBER 78A-UBH31-0050-P | | CHECKED | |
| NEXT ASSY | USED ON | ENG APPR. | |
| | | MFG APPR. | |
| | | Q.A. | |
| | | COMMENTS: | |
| APPLICATION | DO NOT SCALE DRAWING | | |

INDUSTRIAL HARDWARE
AND SPECIALTIES INCORPORATED

17-B KENTUCKY AVENUE
PATERSON, NEW JERSEY 07503
TEL: 973-684-4010 FAX: 973-684-3095
email: TechSupport@industrialhardware.com
www.industrialhardware.com

| | | |
|------|----------|------|
| SIZE | DWG. NO. | REV. |
| A | | |

SCALE: 1:8 WEIGHT: 0.09 SHEET 1 OF 1