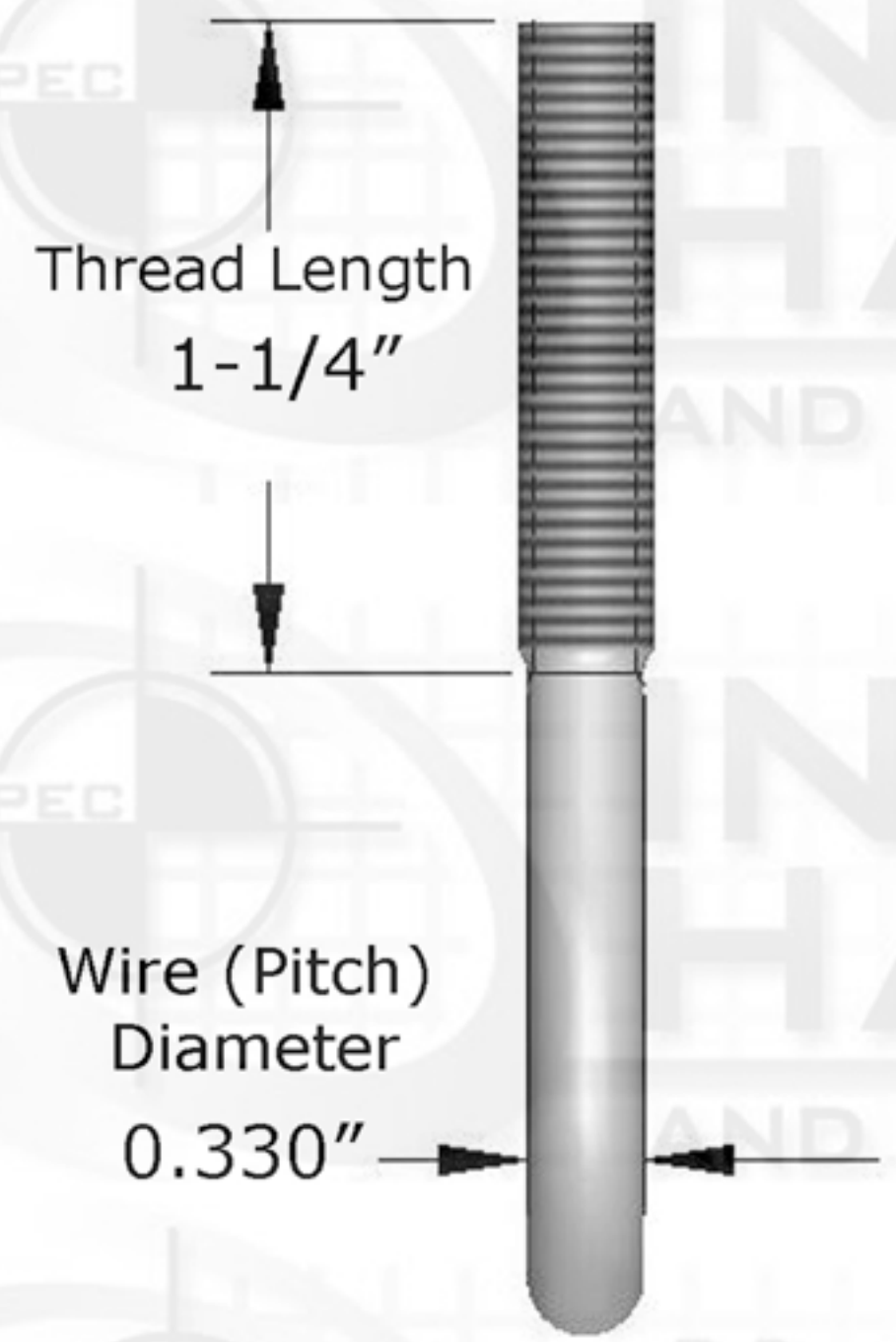
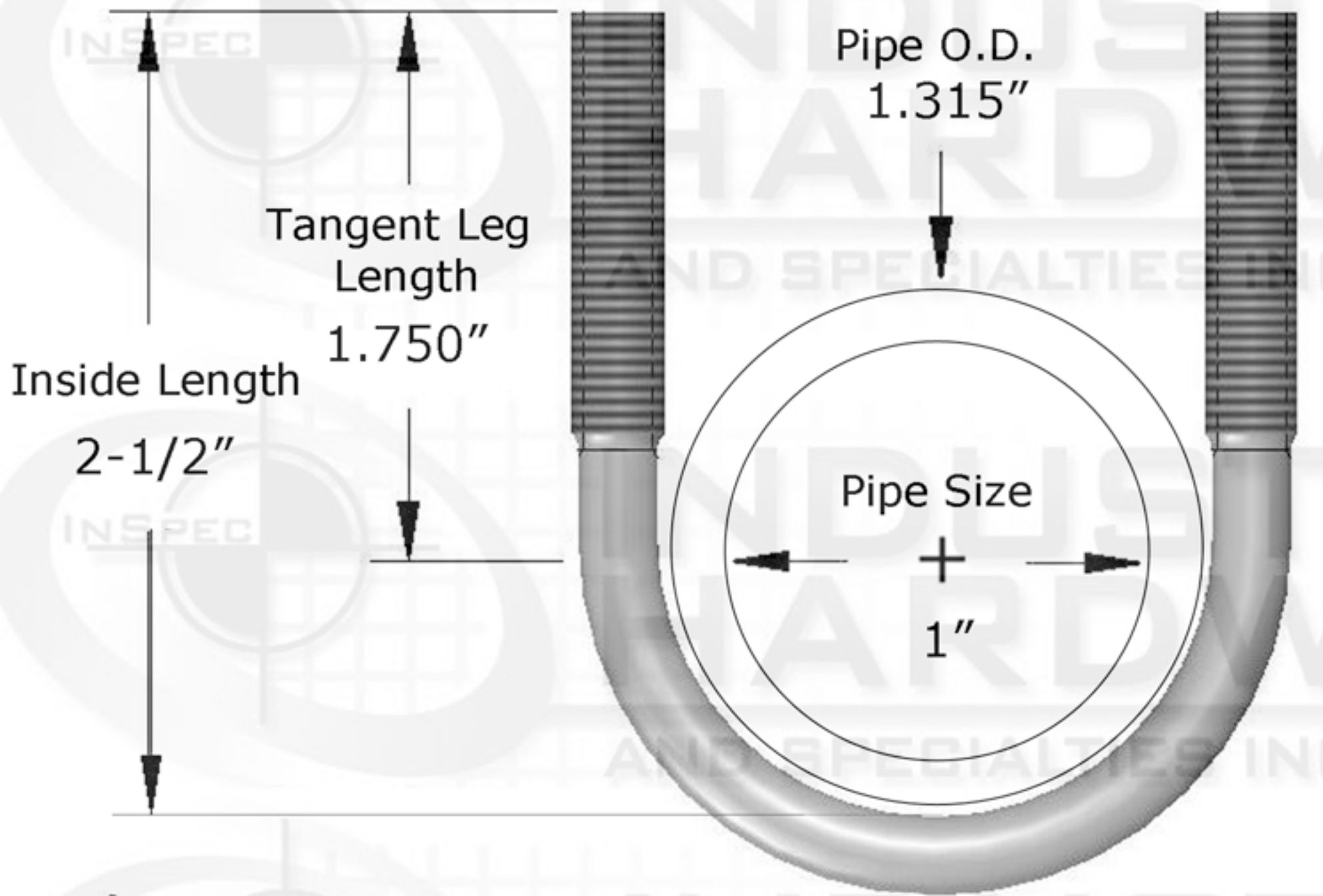
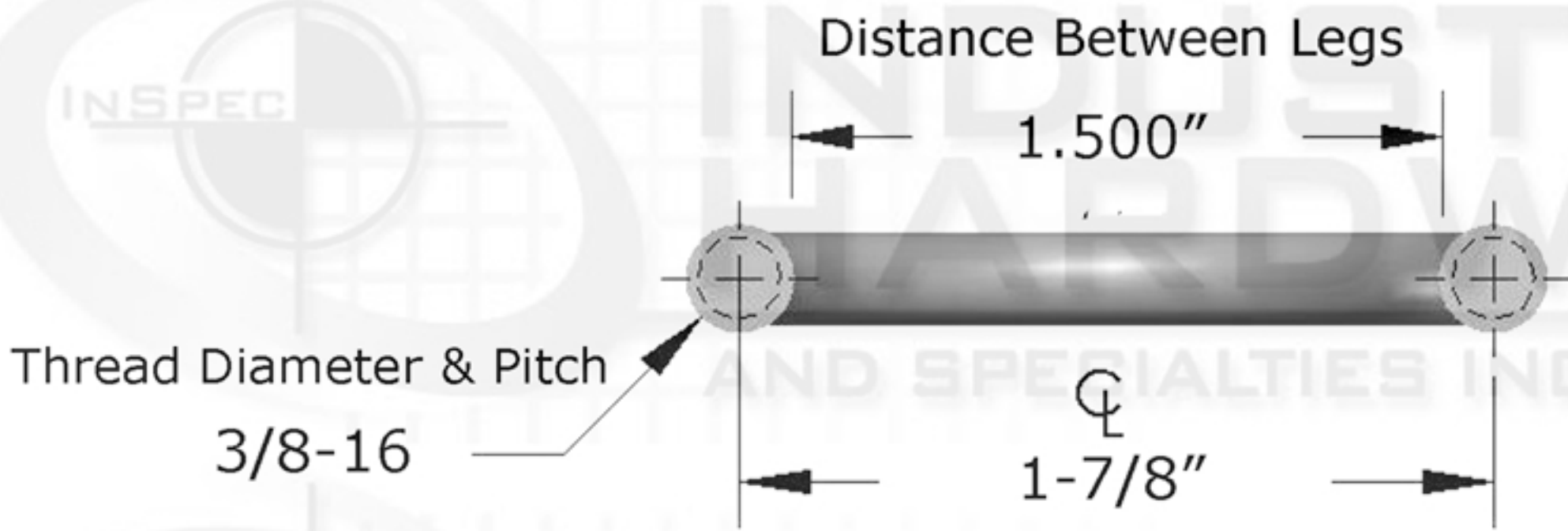


REVISIONS		DATE	APPROVED
ZONE	REV.	DESCRIPTION	



**PROPRIETARY AND CONFIDENTIAL**

THIS DRAWING AND IT'S CONTENT IS THE SOLE PROPERTY OF INDUSTRIAL HARDWARE & SPECIALTIES,INC.. ANY REPRODUCTION IN PART OR AS A WHOLE WITHOUT THE WRITTEN PERMISSION OF INDUSTRIAL HARDWARE & SPECIALTIES,INC. IS STRICTLY PROHIBITED.

DIMENSIONS ARE IN INCHES TOLERANCES: FRACTIONAL ± 1/64" ANGULAR: MACH ± 1° BEND ± 1° TWO PLACE DECIMAL ± .01" THREE PLACE DECIMAL ± .005" CONCENTRICITY T.I.R. = .005"		NAME	DATE
MATERIAL FINISH Stainless Steel Type 316		DRAWN	
PART NUMBER 78A-UBH37-0100-316		CHECKED	
NEXT ASSY	USED ON	ENG APPR.	
APPLICATION	DO NOT SCALE DRAWING	MFG APPR.	
		Q.A.	
		COMMENTS:	

**INDUSTRIAL HARDWARE AND SPECIALTIES INCORPORATED**

17-B KENTUCKY AVENUE  
PATERSON, NEW JERSEY 07503  
TEL: 973-684-4010 FAX: 973-684-3095  
email: TechSupport@industrialhardware.com  
www.industrialhardware.com

SIZE	DWG. NO.	REV.
<b>A</b>		

SCALE: 1:8    WEIGHT: 0.17    SHEET 1 OF 1