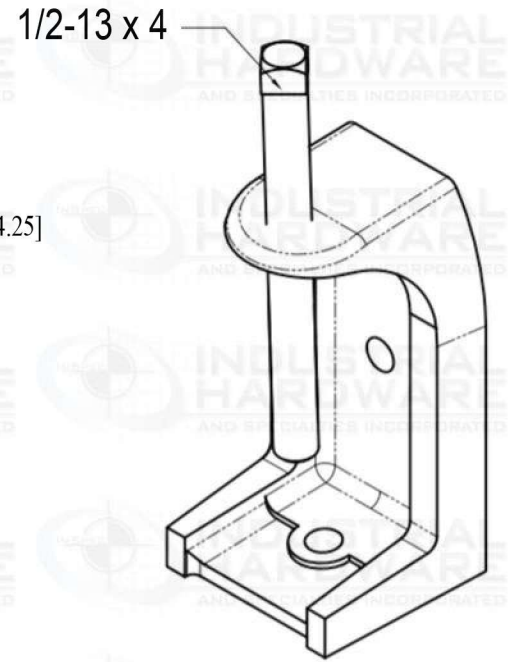
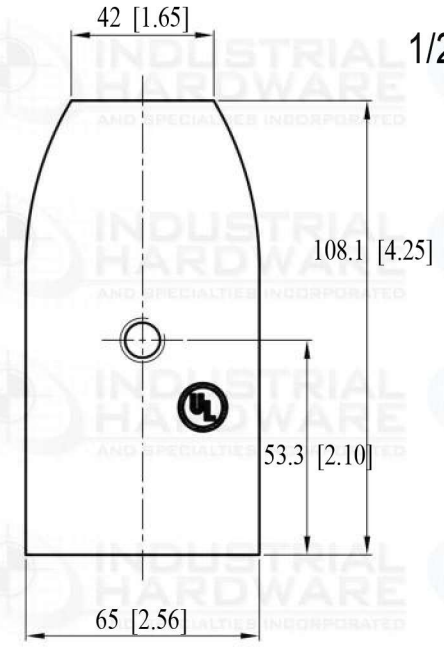
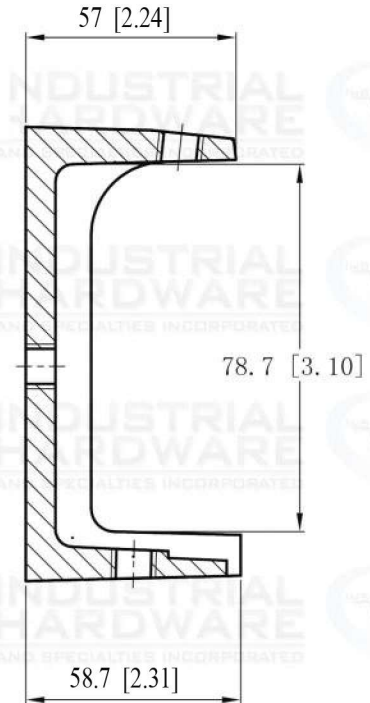
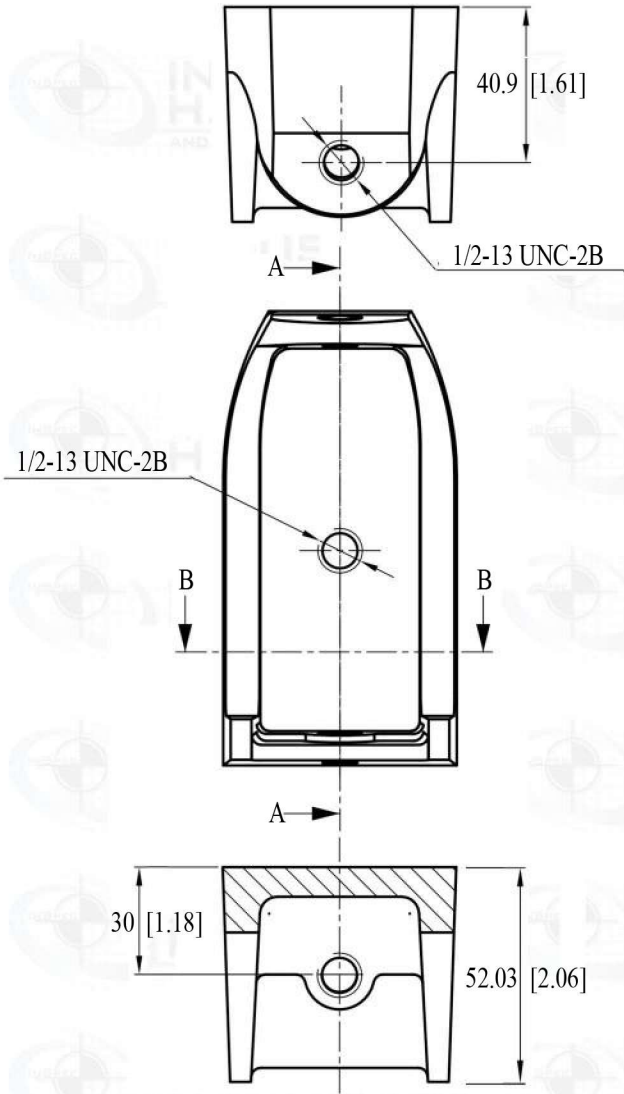


ZONE		REV.	REVISIONS	DATE	APPROVED
			DESCRIPTION		



PROPRIETARY AND CONFIDENTIAL

THIS DRAWING AND ITS CONTENT IS THE SOLE PROPERTY OF INDUSTRIAL HARDWARE & SPECIALTIES, INCORPORATED.

ANY REPRODUCTION IN PART OR AS A WHOLE WITHOUT THE WRITTEN PERMISSION OF INDUSTRIAL HARDWARE & SPECIALTIES, INC. IS STRICTLY PROHIBITED. INSPIC AND TOSPEC INDICIA ARE REGISTERED AND PROTECTED TRADEMARKS WITH THE UNITED STATES PATENT & TRADEMARK OFFICE. MODIFICATION, USE OR REMOVAL WITHOUT WRITTEN AUTHORIZATION WILL BE DEEMED AN INTENTIONAL VIOLATION OF COPYRIGHT PROTECTIONS.

			NAME	DATE
			DRAWN	
			CHECKED	
			ENG APPR.	
			MFG APPR.	
			Q.A.	
			COMMENTS:	
NEXT ASSY	USED ON	MATERIAL		
		Malleable Iron		
		FINISH		
		Zinc Plated		
APPLICATION		DO NOT SCALE DRAWING		

INDUSTRIAL HARDWARE AND SPECIALTIES INCORPORATED

17-B Kentucky Avenue
 Paterson, New Jersey 07503
 T: 973-684-4010 F: 973-684-3095
 e-mail: sales@industrialhardware.com
 www.industrialhardware.com

SIZE DWG. MFG. **A** **3D-084-503**

SCALE: 1:2 WEIGHT: 1.3 SHEET 1 OF 1