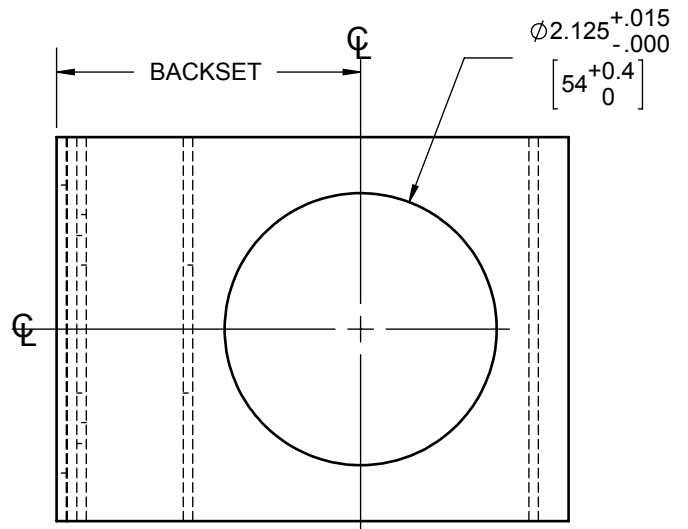
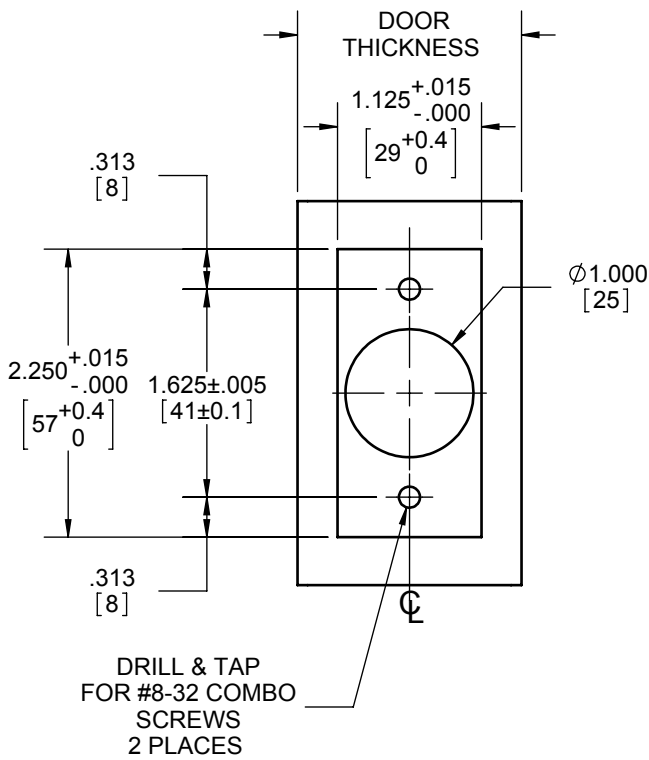
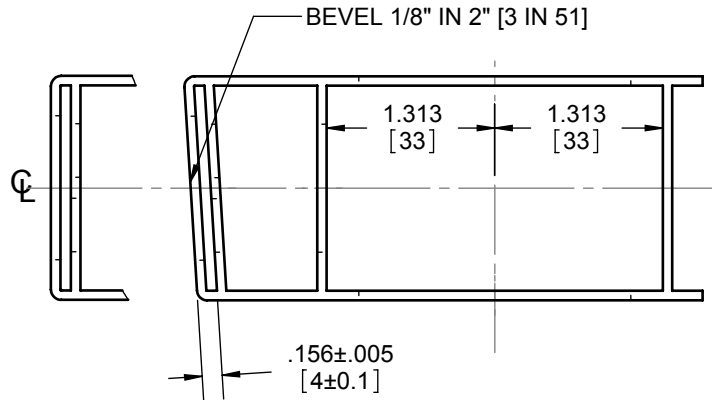
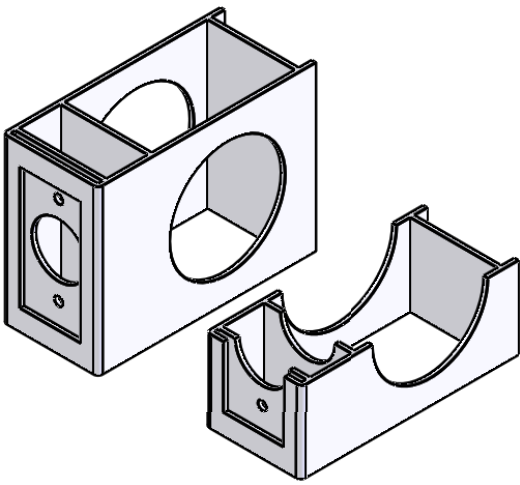


# 3216 INDICATOR DEAD LOCK METAL DOOR PREP TEMPLATE



- DOOR TYPE:** METAL, FLAT OR BEVELED
- DOOR THICKNESS:** 1 3/8"[35] - 1 3/4"[45]
- FACEPLATE:** SQUARE 1 1/8"[29] WIDTH
- BACKSETS:** 2 3/8" [60] , 2 3/4"[70]

DIMENSIONS IN [ ] ARE IN MILLIMETERS

