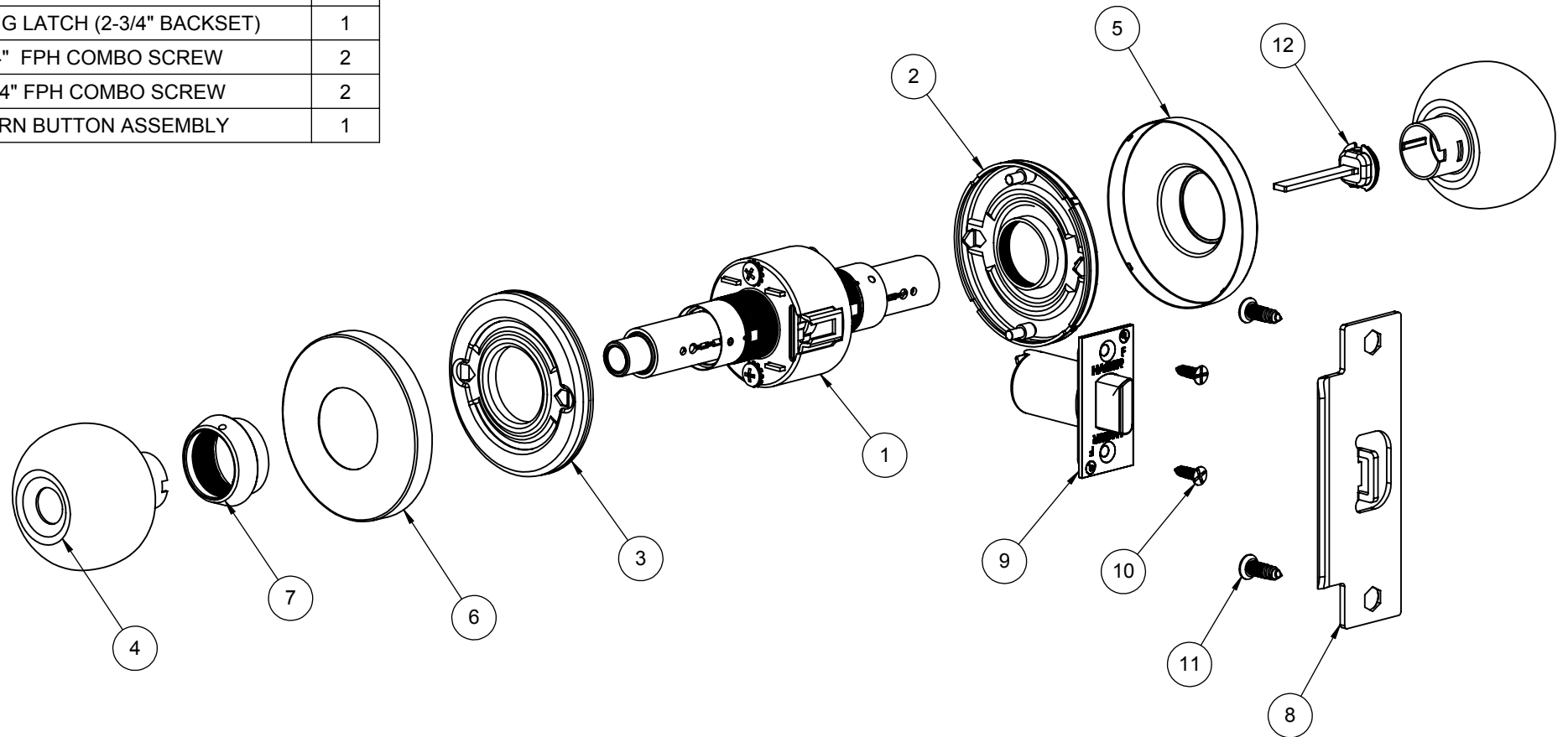



| ITEM NO. | FILE NUMBER | DESCRIPTION                         | QTY. |
|----------|-------------|-------------------------------------|------|
| 1        | S-LS00950   | KNOBSET CHASSIS - 40 FUNCTION       | 1    |
| 2        | S-LS00956   | OUTSIDE ROSE LINER (KNOB)           | 1    |
| 3        | S-LS00955   | INSIDE ROSE LINER (KNOB)            | 1    |
| 4        | S-LS00953   | APOLLO PUSHBUTTON KNOB              | 2    |
| 5        | S-LS00952   | OUTSIDE ROSE (KNOB)                 | 1    |
| 6        | S-LS00951   | INSIDE ROSE (KNOB)                  | 1    |
| 7        | S-LS00943   | THREADED COLLAR                     | 1    |
| 8        | S-LS00236   | STANDARD 1-1/4" X 4-7/8" ASA STRIKE | 1    |
| 9        | S-LS00618   | 3964 SPRING LATCH (2-3/4" BACKSET)  | 1    |
| 10       | S-LS00882   | #8 X 3/4" FPH COMBO SCREW           | 2    |
| 11       | S-LS00882   | #12 X 3/4" FPH COMBO SCREW          | 2    |
| 12       | S-LS01042   | COINTURN BUTTON ASSEMBLY            | 1    |



|   |  |            |                          |            |   |  |  |
|---|--|------------|--------------------------|------------|---|--|--|
|  <b>PROPRIETARY &amp; CONFIDENTIAL</b><br>THE INFORMATION CONTAINED IN THIS DRAWING IS THE SOLE PROPERTY OF HAGER COMPANIES. ANY REPRODUCTION IN PART OR AS A WHOLE WITHOUT THE WRITTEN PERMISSION OF HAGER COMPANIES IS PROHIBITED. | HAGER RESERVES THE RIGHT TO MAKE DESIGN CHANGES WITHOUT NOTICE. CALL HAGER ENGINEERING AT 1-800-325-9995 FOR THE LATEST REVISION DATE OF TEMPLATE. | DRAWN      | MRJ                      | 11/18/2010 | <b>3440</b><br><b>GRADE 1 - PRIVACY KNOBSET</b> |  |  |
|   |  | ENG. APPR. | -                        | -          |   |  |  |
|   |  | MATERIAL   | Material <not specified> |            |   | Q.A.   |  |
|   |  | FINISH     | -                        |            |   | TOLERANCES:<br>FRACTIONAL: $\pm 0.015"$<br>ANGULAR: MACH: $\pm 1^\circ$ BEND: $\pm 1^\circ$<br>TWO PLACE DECIMAL: $\pm 0.01"$<br>THREE PLACE DECIMAL: $\pm 0.004"$ |  |
| DO NOT SCALE DRAWING  |  | SIZE       | DWG. NO.                 |            | REV.  |  |  |
|   |  | <b>B</b>   | S-LS01044                |            | <b>01</b>                                       |  |  |
|   |  | SCALE: 1:4 | WEIGHT: 1.26             |            | SHEET 1 OF 1                                    |  |  |