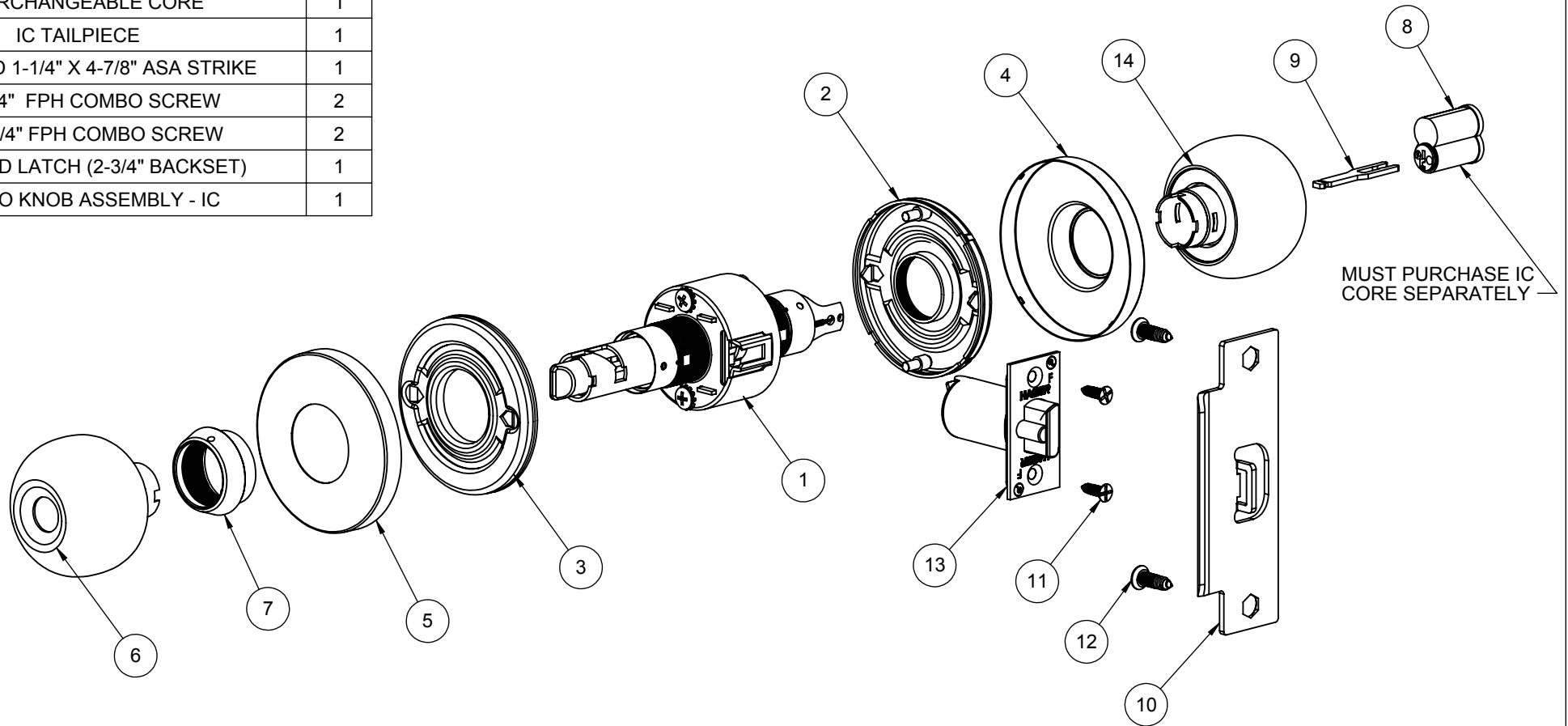


ITEM NO.	FILE NUMBER	DESCRIPTION	QTY.
1	S-LS00950	KNOBSET CHASSIS - 53 FUNCTION - IC	1
2	S-LS00956	OUTSIDE ROSE LINER (KNOB)	1
3	S-LS00955	INSIDE ROSE LINER (KNOB)	1
4	S-LS00952	OUTSIDE ROSE (KNOB)	1
5	S-LS00951	INSIDE ROSE (KNOB)	1
6	S-LS00953	APOLLO PUSHBUTTON KNOB	1
7	S-LS00943	THREADED COLLAR	1
8	S-LS00550	INTERCHANGEABLE CORE	1
9	S-LS00225	IC TAILPIECE	1
10	S-LS00236	STANDARD 1-1/4" X 4-7/8" ASA STRIKE	1
11	S-LS00882	#8 X 3/4" FPH COMBO SCREW	2
12	S-LS00882	#12 X 3/4" FPH COMBO SCREW	2
13	S-LS00608	3944 DEAD LATCH (2-3/4" BACKSET)	1
14	S-LS01055	APOLLO KNOB ASSEMBLY - IC	1



**PROPRIETARY & CONFIDENTIAL**  
 THE INFORMATION CONTAINED IN THIS DRAWING IS THE SOLE PROPERTY OF HAGER COMPANIES. ANY REPRODUCTION IN PART OR AS A WHOLE WITHOUT THE WRITTEN PERMISSION OF HAGER COMPANIES IS PROHIBITED.

HAGER RESERVES THE RIGHT TO MAKE DESIGN CHANGES WITHOUT NOTICE. CALL HAGER ENGINEERING AT 1-800-325-9995 FOR THE LATEST REVISION DATE OF TEMPLATE.

MATERIAL	Material <not specified>
FINISH	-
DO NOT SCALE DRAWING	

DRAWN	MRJ	11/18/2010
ENG. APPR.	-	-
TOLERANCES:		
FRACTIONAL: ±0.015"		
ANGULAR: MACH: ±1° BEND: ±1°		
TWO PLACE DECIMAL: ±0.01"		
THREE PLACE DECIMAL: ±0.004"		

3453		GRADE 1 - ENTRY KNOBSET - IC	
SIZE	DWG. NO.	REV.	
<b>B</b>	S-LS01046	02	
SCALE: 1:4	WEIGHT: 1.43	SHEET 1 OF 1	